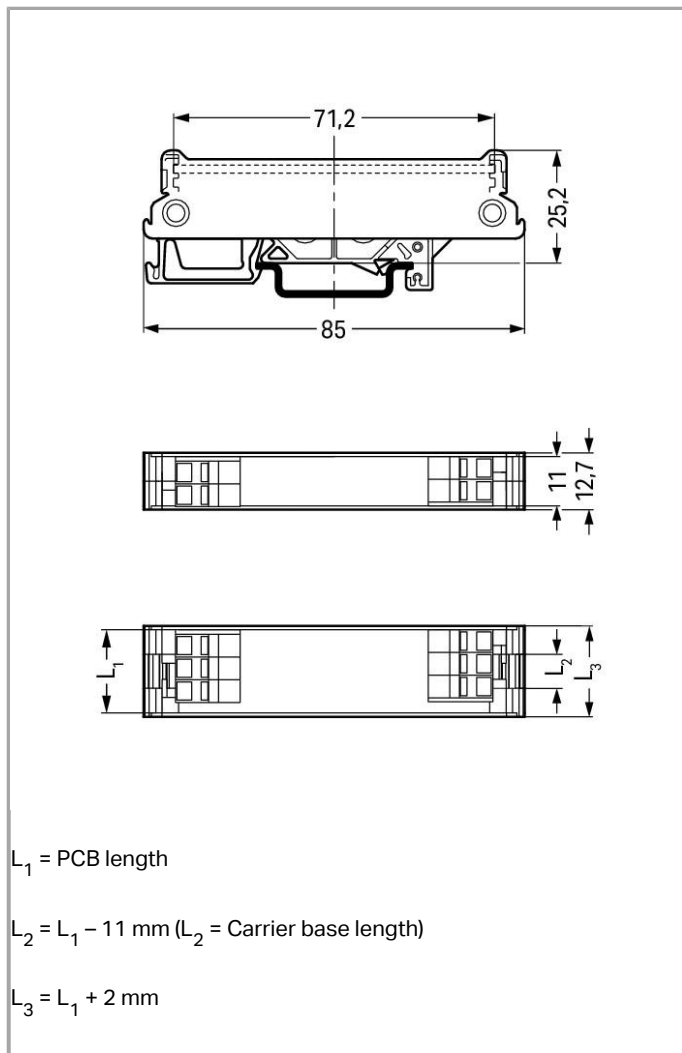
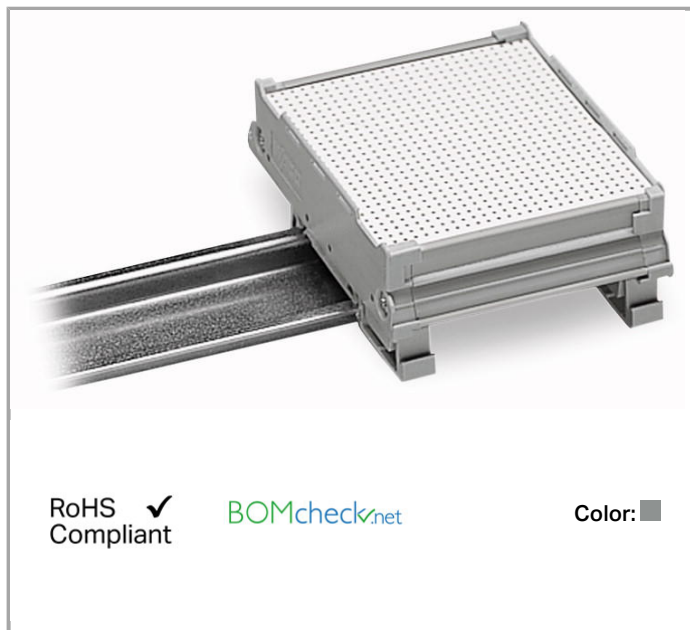
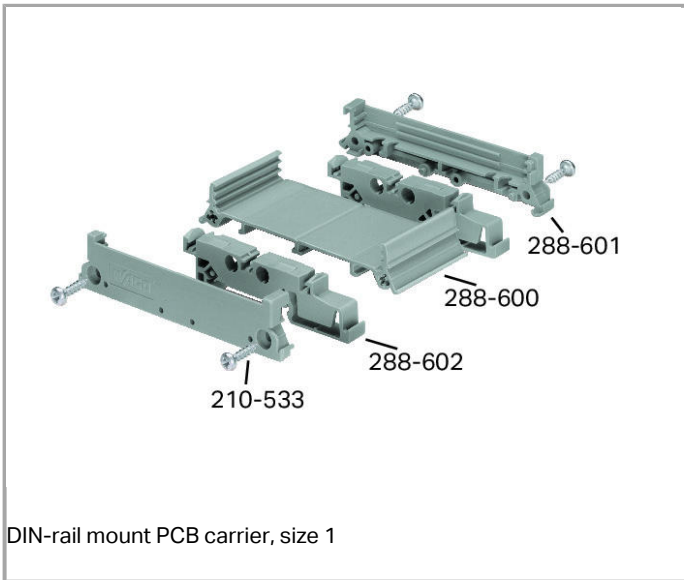


Data sheet | Item number: 288-601

Lateral cover; Size 1; small; 6.35 mm thick

www.wago.com/288-601





DIN-rail mount PCB carrier, size 1

Item description

DIN-rail mount PCB carrier, size 1 – lateral cover, size 1; small; 6.35 mm thick

Data

Geometrical Data

Width	6.35 mm / 0.25 inch
Depth	85 mm / 3.346 inch

Mechanical data

Type of mounting	DIN-35 rail
------------------	-------------

Material Data

Color	gray
Fire load	0.102 MJ
Weight	3.28 g

Commercial data

Country of origin	DE
GTIN	4017332612180
Customs Tariff No.	85472000900
Product Group	6 (Interface Electronics)



Downloads

Documentation

Additional Information

Disposal; Electrical and electronic equipment, Packaging	Oct 15, 2018	265.8 kB	Download
--	--------------	----------	----------

smartDATA

CAD data

3D Download 288-601	URL	Download
---------------------	-----	----------

Subject to changes.