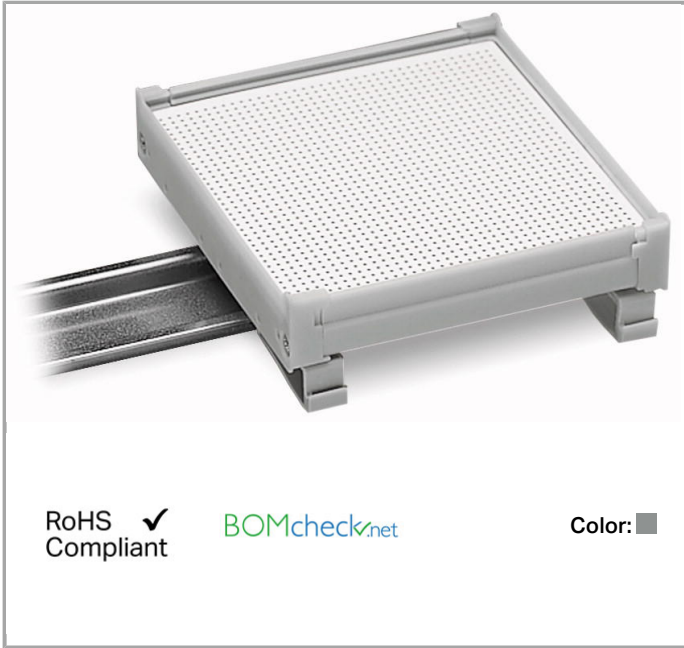


Data sheet | Item number: 288-620

Track section; Size 2; 1 m long

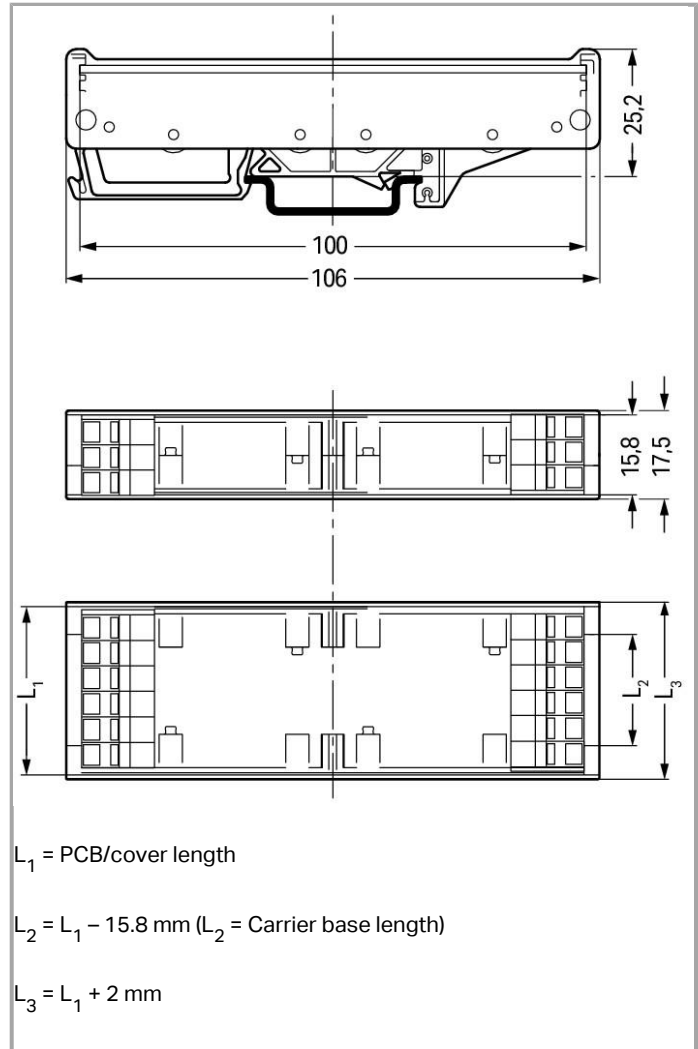
[www.wago.com/288-620](http://www.wago.com/288-620)

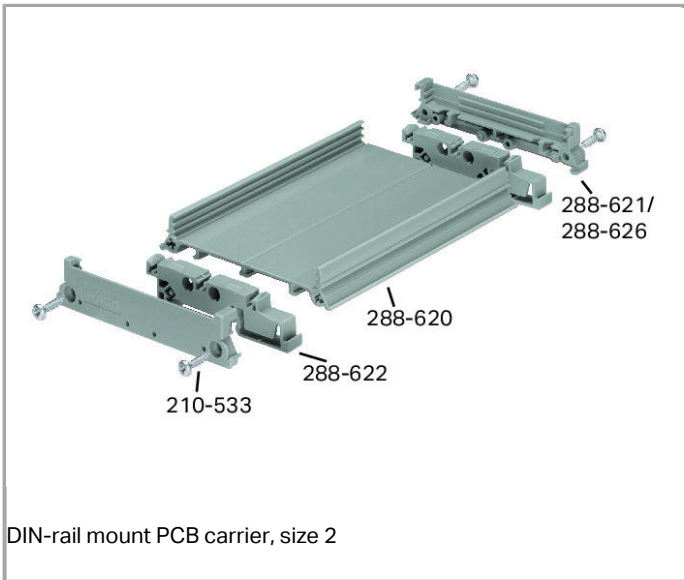


RoHS  Compliant

BOMcheck.net

Color: ■





### Item description

DIN-rail mount PCB carrier, size 2 – carrier base, size 2; 1 m long

#### Note:

In order to determine the length of a complete mounting carrier:

Length of PCB: L1

Length of track section:  $L2 = L1 - 15,8 \text{ mm}/0.622 \text{ in}$

Length of mounting carrier:  $L3 = L1 + 1.7 \text{ mm}/0.067 \text{ in}$

Length of covering section:  $L4 = L1$

with lateral cover, size 2, 8.75 mm/0.344 in thick

Distance between PCB and upper groove of track section is 5 mm/0.197 in

PCB tolerances: thickness 1.5 mm  $\pm$  0.2 mm, length/width  $\pm$  0.2 mm; -0.1/+0.3 for milling contours

### Data

#### Geometrical Data

Width	1000 mm / 39.37 inch
Depth	100 mm / 3.937 inch

#### Mechanical data

Type of mounting	DIN-35 rail
------------------	-------------

## Material Data




Color	gray
Weight	282.2 g

## Commercial data

Country of origin	DE
GTIN	4017332639477
Customs Tariff No.	85472000900
Product Group	6 (Interface Electronics)

## Compatible products

### Marking accessories

	<b>Item no.: 709-177</b> Marking strips; on reel; 7.5 mm wide; not stretchable; plain; snap-on type	<a href="http://www.wago.com/709-177">www.wago.com/709-177</a>
	<b>Item no.: 709-178</b> Marking strips; on reel; 7.5 mm wide; not stretchable; plain; snap-on type	<a href="http://www.wago.com/709-178">www.wago.com/709-178</a>
	<b>Item no.: 709-196</b> Marking strips; for laser printer	<a href="http://www.wago.com/709-196">www.wago.com/709-196</a>

### General accessories

	<b>Item no.: 210-533</b> Phillips screw 2.9 x 13	<a href="http://www.wago.com/210-533">www.wago.com/210-533</a>
	<b>Item no.: 288-621</b> Lateral cover; Size 2; small; 8.75 mm thick	<a href="http://www.wago.com/288-621">www.wago.com/288-621</a>
	<b>Item no.: 288-622</b> Fixing foot for DIN 35 rail	<a href="http://www.wago.com/288-622">www.wago.com/288-622</a>
	<b>Item no.: 288-626</b> Lateral cover; Size 2; large; 8.75 mm thick	<a href="http://www.wago.com/288-626">www.wago.com/288-626</a>
	<b>Item no.: 288-627</b> Cover; Size 2; 1 m long	<a href="http://www.wago.com/288-627">www.wago.com/288-627</a>

## Downloads

### Documentation

#### Additional Information

Disposal; Electrical and electronic equipment, Packaging

Oct 15, 2018

Download

265.8 kB



**smartDATA**

**CAD data**

3D Download 288-620

URL

Download

---

Subject to changes.