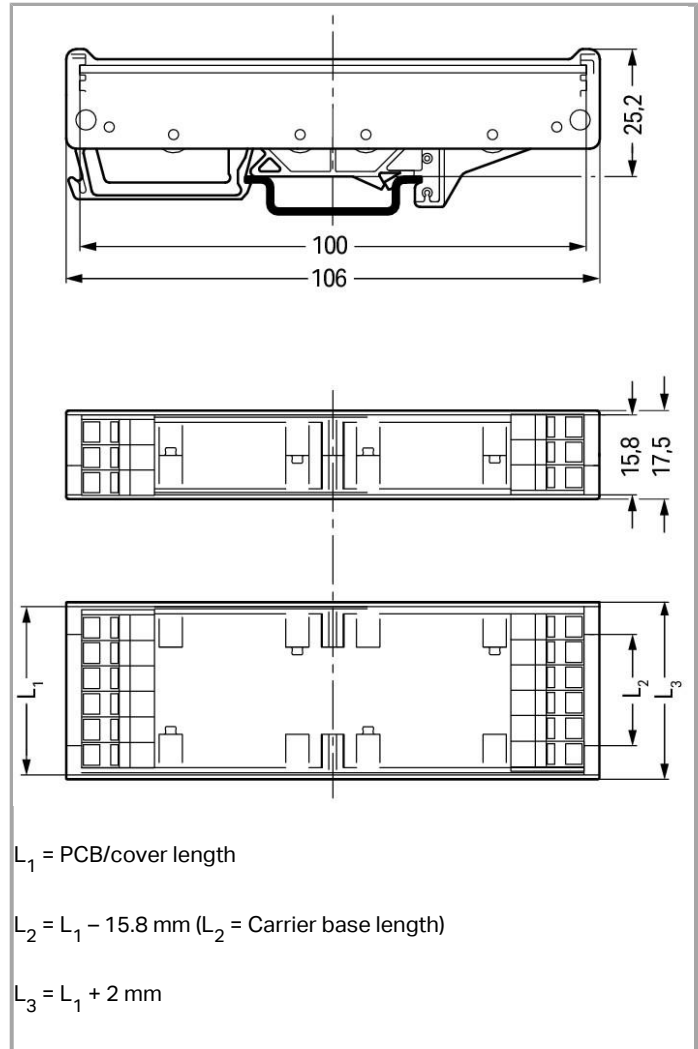
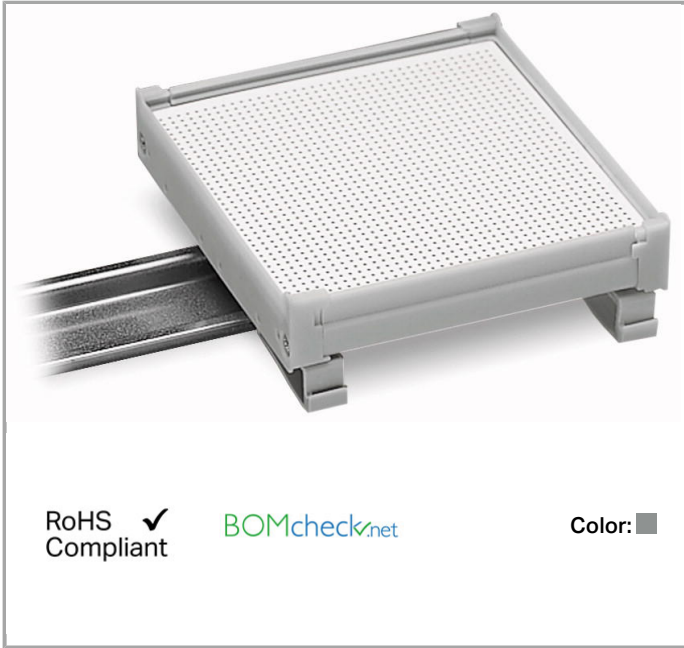
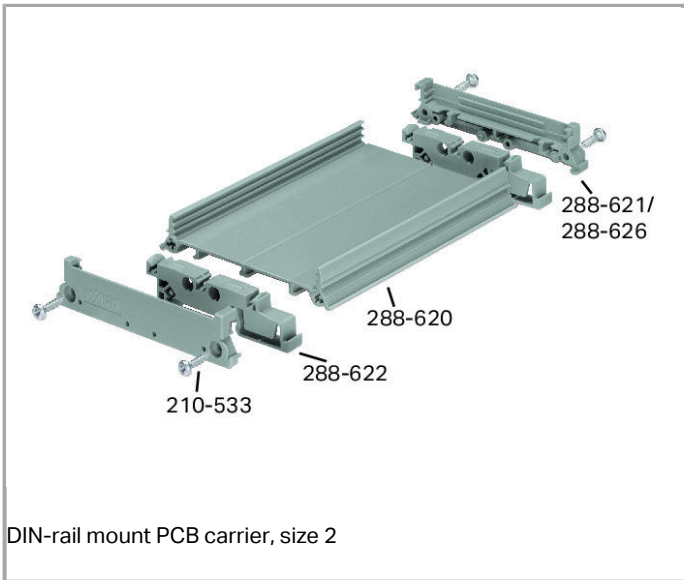


Data sheet | Item number: 288-621

Lateral cover; Size 2; small; 8.75 mm thick

www.wago.com/288-621





Item description

DIN-rail mount PCB carrier, size 2 – lateral cover, size 2; small; 8.75 mm thick

Data

Geometrical Data

Width	8.75 mm / 0.344 inch
Depth	106 mm / 4.173 inch

Mechanical data

Type of mounting	DIN-35 rail
------------------	-------------

Material Data

Color	gray
Fire load	0.159 MJ
Weight	5.2 g

Commercial data

Country of origin	DE
GTIN	4017332639453
Customs Tariff No.	85472000900
Product Group	6 (Interface Electronics)



Downloads

Documentation

Additional Information

Disposal; Electrical and electronic equipment, Packaging	Oct 15, 2018	265.8 kB	Download
--	--------------	----------	----------

smartDATA

CAD data

3D Download 288-621	URL	Download
---------------------	-----	----------

Subject to changes.