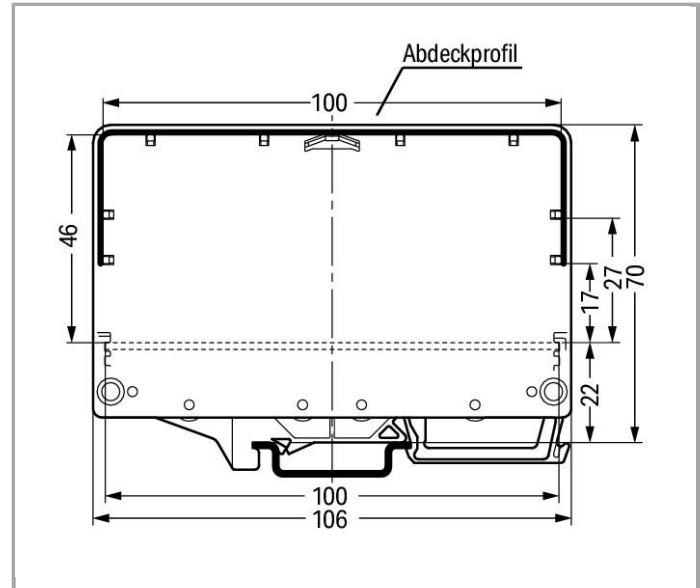


Data sheet | Item number: 288-627

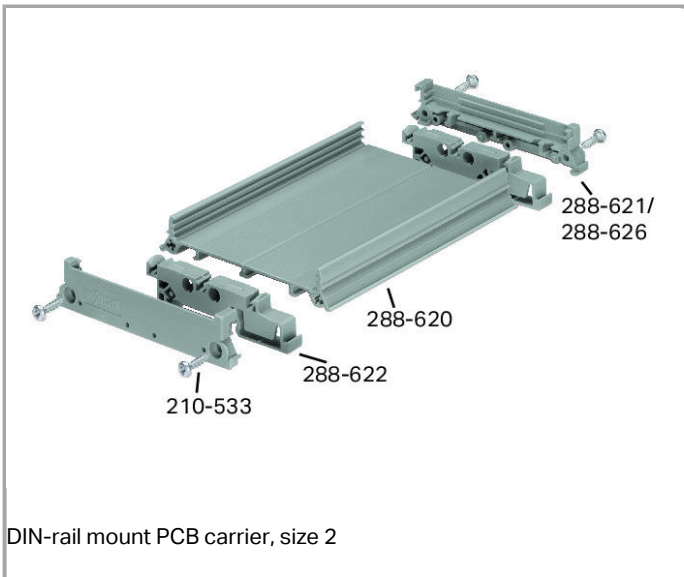
Cover; Size 2; 1 m long

www.wago.com/288-627



RoHS
Compliant ✓

BOMcheck.net



Item description

DIN-rail mount PCB carrier, size 2 with cover – cover, size 2; large; 1 m long

**Data****Geometrical Data**

Width	1000 mm / 39.37 inch
-------	----------------------

Mechanical data

Type of mounting	DIN-35 rail
------------------	-------------

Material Data

Color	transparent
Weight	280 g

Commercial data

Country of origin	DE
GTIN	4017332666374
Customs Tariff No.	85472000900
Product Group	6 (Interface Electronics)

Downloads**Documentation****Additional Information**

Disposal; Electrical and electronic equipment, Packaging	Oct 15, 2018	265.8 kB	Download
--	--------------	----------	----------

smartDATA**CAD data**

3D Download 288-627	URL	Download
---------------------	-----	----------

Subject to changes.