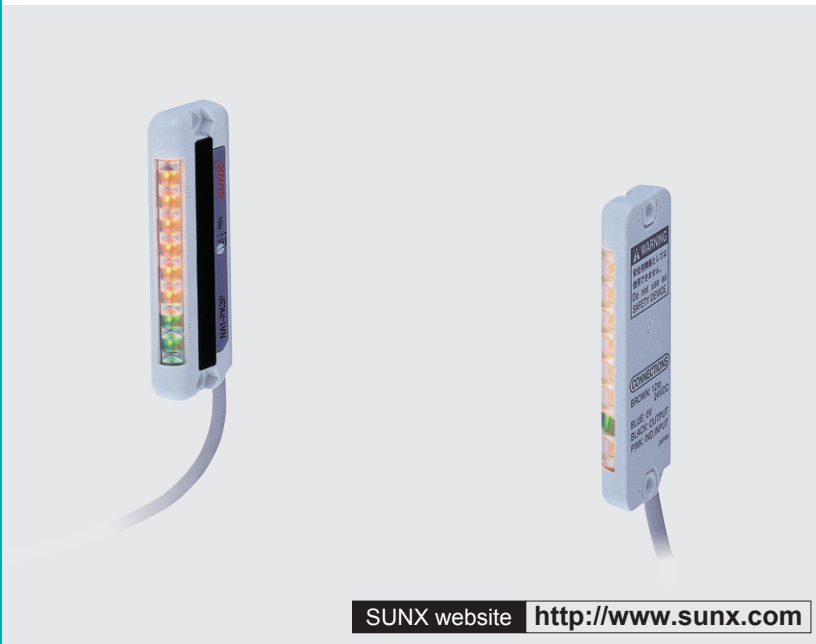


NA1-PK3 SERIES

Related Information

- General terms and conditions..... P.1
- Sensor selection guideP.11~ / P.443~
- Glossary of terms..... P.983~
- General precautions.....P.986~

- FIBER SENSORS
- LASER SENSORS
- PHOTOELECTRIC SENSORS
- MICRO PHOTOELECTRIC SENSORS
- AREA SENSORS**
- SAFETY COMPONENTS
- PRESSURE SENSORS
- INDUCTIVE PROXIMITY SENSORS
- PARTICULAR USE SENSORS
- SENSOR OPTIONS
- WIRE-SAVING SYSTEMS
- MEASUREMENT SENSORS
- STATIC CONTROL DEVICES
- LASER MARKERS



SUNX website <http://www.sunx.com>



Make sure to use light curtains when using a sensing device for personnel protection. Refer to p.477~ for the light curtain.



Boasts a compact, pocket lighter size enabling universal installation

Space-saving, pocket lighter-sized unit

Ultra compact size: W24 × H70 × D8 mm **W0.945 × H2.756 × D0.315 in.**

Can even be mounted within the small space constraints of parts containers.



NA1-PK3 Pocket lighter

Utilizes a large, bright, clearly visible job indicator

The ultra compact body incorporates a job indicator approx. 50 mm **1.969 in** tall. Due to its brightness and high visibility, it is now possible to check sensor operation from a distance.



- Selection Guide
- Slim Body
- NA2-N**
- Picking
- NA1-PK5 / NA1-5**
- NA1-PK3**
- Other Products

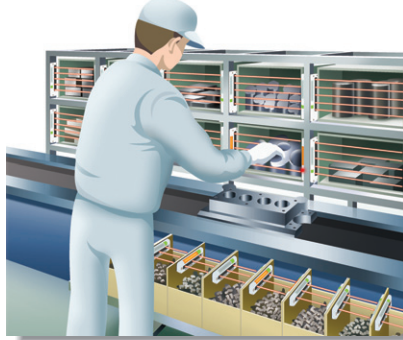
ORDER GUIDE
P.467SPECIFICATIONS
P.468I/O CIRCUIT DIAGRAMS
P.469SENSING CHARACTERISTICS
P.469PRECAUTIONS FOR PROPER USE
P.470~DIMENSIONS
P.471

APPLICATIONS

Cell production line



Assembly line



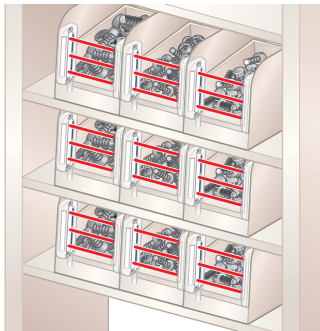
WARNING

Never use this product in any personnel safety application.

BASIC PERFORMANCE

No synchronization wires required

Synchronization wires are not required, due to the utilization of a synchronized scanning system that results in a reduction of wiring man-hours. In addition, the sensors can be switched among three different emission frequencies, allowing up to three sets of sensors to be installed closely together in the same vertical plane, without causing mutual interference. Even when installed in multistage shelving, malfunctions due to mutual interference will not occur. (When mounted horizontally, a maximum of two sensor sets may be used side-by-side, without interference.)



FUNCTIONS

Switchable output operation

Output operation can be switched to suit the desired application.

OPTIONS

Sensor protection brackets are available

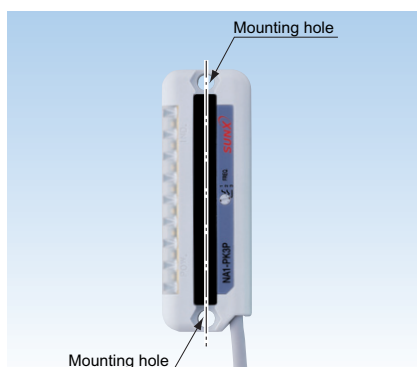
Sensor protection brackets are now available (optional), to protect sensors from damage due to tools and other objects. The protection brackets have a black coating, which enhances the visual effectiveness of the job indicator.



MOUNTING

Easy alignment

The sensor's beam axis is directly in line with the mounting holes, making sensor alignment very easy. Mounting can be performed simply by using M4 nuts.



Flexible cable orientation

The cabling can be oriented in either of two different directions: down or to the side, thus permitting a flexible layout, in accordance with the sensor's mounting position.



FIBER SENSORS

LASER SENSORS

PHOTOELECTRIC SENSORS

MICRO PHOTOELECTRIC SENSORS

AREA SENSORS

SAFETY COMPONENTS

PRESSURE SENSORS

INDUCTIVE PROXIMITY SENSORS

PARTICULAR USE SENSORS

SENSOR OPTIONS

WIRE-SAVING SYSTEMS

MEASUREMENT SENSORS

STATIC CONTROL DEVICES

LASER MARKERS

Selection Guide

Slim Body

NA2-N

Picking

NA1-PK5 / NA1-5

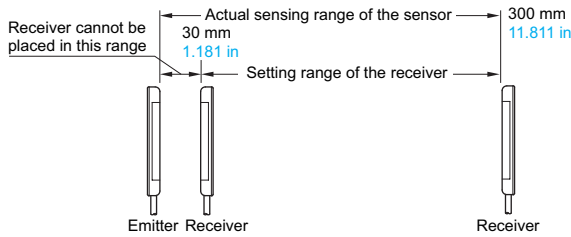
NA1-PK3

Other Products

ORDER GUIDE

Type	Appearance	Sensing range (Note)	Model No.	Output
NPN output			NA1-PK3	NPN open-collector transistor
PNP output			NA1-PK3-PN	PNP open-collector transistor

Notes: 1) The sensing range is the possible setting distance between the emitter and the receiver. The sensor can detect an object less than 30 mm 1.181 in away.



2) The model No. with suffix "P" shown on the label affixed to the product is the emitter, "D" shown on the label is the receiver. (e.g.) Emitter of **NA1-PK3**: **NA1-PK3P**, Receiver of **NA1-PK3**: **NA1-PK3D**

5 m 16.404 ft cable length type, pigtailed type

5 m 16.404 ft cable length type (standard: 2 m 6.562 ft) and pigtailed type (standard: cable type) are also available.

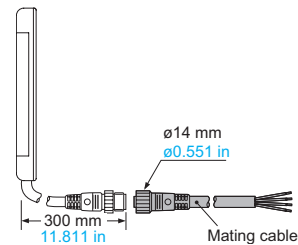
Table of Model Nos.

Type	Standard type	5 m 16.404 ft cable length type	Pigtailed type (Note)
NPN output	NA1-PK3	NA1-PK3-C5	NA1-PK3-J
PNP output	NA1-PK3-PN	NA1-PK3-PN-C5	NA1-PK3-PN-J

Note: Please order the suitable mating cable separately for pigtailed type.

Mating cable (2 cables are required.)

Model No.	Description
CN-24-C2	4-core, cable length 2 m 6.562 ft
CN-24-C5	4-core, cable length 5 m 16.404 ft



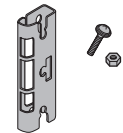
OPTIONS

Designation	Model No.	Description
Sensor protection bracket	MS-NA3-3	It protects the sensor body. Two black bracket set [Four M4 (length 15 mm 0.591 in) screws with washers, and four nuts are attached.]
Y-shaped connector	SL-WY 5 pcs. per set	This connector is able to combine the cables of receiver and emitter into one.

Sensor protection bracket

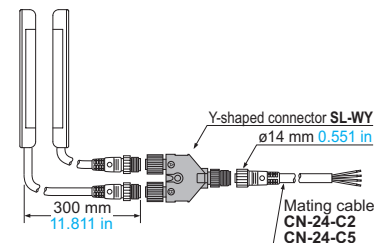
MS-NA3-3

Two bracket set
[Four M4 (length 15 mm 0.591 in) screws with washers, and four nuts are attached.]



Y-shaped connector

SL-WY



FIBER SENSORS
LASER SENSORS
PHOTO-ELECTRIC SENSORS
MICRO PHOTO-ELECTRIC SENSORS
AREA SENSORS
SAFETY COMPONENTS
PRESSURE SENSORS
INDUCTIVE PROXIMITY SENSORS
PARTICULAR USE SENSORS
SENSOR OPTIONS
WIRE- SAVING SYSTEMS
MEASURE- MENT SENSORS
STATIC CONTROL DEVICES
LASER MARKERS

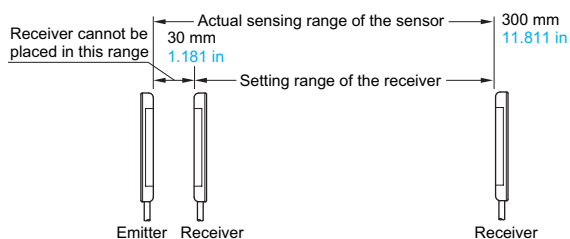
Selection Guide
Slim Body
NA2-N
Picking
NA1-PK5 / NA1-5
NA1-PK3
Other Products

SPECIFICATIONS

Item	Type	NPN output	PNP output
	Model No.	NA1-PK3	NA1-PK3-PN
Sensing height		49.2 mm 1.937 in	
Sensing range (Note 2)		30 to 300 mm 1.181 to 11.811 in	
Beam pitch		24.6 mm 0.969 in	
Number of beam channels		3 beam channels	
Sensing object		ø29 mm ø1.142 in or more opaque object (completely beam interrupted object)	
Supply voltage		12 to 24 V DC ± 10 % Ripple P-P 10 % or less	
Current consumption		Emitter: 30 mA or less, Receiver: 50 mA or less	
Output		NPN open-collector transistor <ul style="list-style-type: none"> • Maximum sink current: 100 mA • Applied voltage: 30 V DC or less (between output and 0 V) • Residual voltage: 1 V or less (at 100 mA sink current) 0.4 V or less (at 16 mA sink current) 	PNP open-collector transistor <ul style="list-style-type: none"> • Maximum source current: 100 mA • Applied voltage: 30 V DC or less (between output and +V) • Residual voltage: 1 V or less (at 100 mA source current) 0.4 V or less (at 16 mA source current)
	Utilization category	DC-12 or DC-13	
	Output operation	ON or OFF when one or more beam channels are interrupted, selectable by operation mode switch	
	Short-circuit protection	Incorporated	
Response time		10 ms or less (when interference prevention function is used: 30 ms or less)	
Indicators	Emitter	Power indicator: Green LED (lights up when the power is ON) Job indicator: Orange LED (lights up when the job indicator input is Low)	Power indicator: Green LED (lights up when the power is ON) Job indicator: Orange LED (lights up when the job indicator input is High)
	Receiver	Operation indicator: Red LED (lights up when the output is ON) Stable incident beam indicator: Green LED (lights up when all beam channels are stably received) Job indicator: Orange LED (lights up when the job indicator input is Low)	Operation indicator: Red LED (lights up when the output is ON) Stable incident beam indicator: Green LED (lights up when all beam channels are stably received) Job indicator: Orange LED (lights up when the job indicator input is High)
Interference prevention function		Incorporated (Up to 3 units can be mounted close together.) (Note 3)	
Environmental resistance	Pollution degree	3 (Industrial environment)	
	Protection	IP62 (IEC) (Refer to p.984 for details of standards.)	
	Ambient temperature	-10 to +55 °C +14 to +131 °F (No dew condensation or icing allowed), Storage: -20 to +70 °C -4 to +158 °F	
	Ambient humidity	35 to 85 % RH, Storage: 35 to 85 % RH	
	Ambient illuminance	Incandescent light: 3,000 lx at the light-receiving face	
	EMC	EN 60947-5-2	
	Voltage withstandability	1,000 V AC for one min. between all supply terminals connected together and enclosure	
	Insulation resistance	20 MΩ, or more, with 250 V DC megger between all supply terminals connected together and enclosure	
	Vibration resistance	10 to 150 Hz frequency, 0.75 mm 0.030 in (5 G max.) amplitude in X, Y and Z directions for two hours each	
Shock resistance	500 m/s ² acceleration (50 G approx.) in X, Y and Z directions for three times each		
Emitting element		Infrared LED (synchronized scanning system)	
Material		Enclosure: Heat-resistant ABS, Lens cover: Acrylic, Indicator cover: Acrylic	
Cable		0.2 mm ² 4-core (emitter: 3-core) oil resistant cabtyre cable, 2 m 6.562 ft long	
Cable extension		Extension up to total 100 m 328.084 ft is possible for both emitter and receiver with 0.3 mm ² , or more, cable.	
Net weight		Emitter: 50 g approx., Receiver: 50 g approx.	

Notes: 1) Where measurement conditions have not been specified precisely, the conditions used were an ambient temperature of +23 °C **+73.4 °F**.

2) The sensing range is the possible setting distance between the emitter and the receiver. The sensor can detect an object less than 30 mm **1.181 in** away.



3) For more details, refer to the "Interference prevention function" in "PRECAUTIONS FOR PROPER USE" (p.470).

FIBER SENSORS

LASER SENSORS

PHOTO-ELECTRIC SENSORS

MICRO PHOTO-ELECTRIC SENSORS

AREA SENSORS

SAFETY COMPONENTS

PRESSURE SENSORS

INDUCTIVE PROXIMITY SENSORS

PARTICULAR USE SENSORS

SENSOR OPTIONS

WIRE-SAVING SYSTEMS

MEASUREMENT SENSORS

STATIC CONTROL DEVICES

LASER MARKERS

Selection Guide

Slim Body

NA2-N

Picking

NA1-PK5 / NA1-5

NA1-PK3

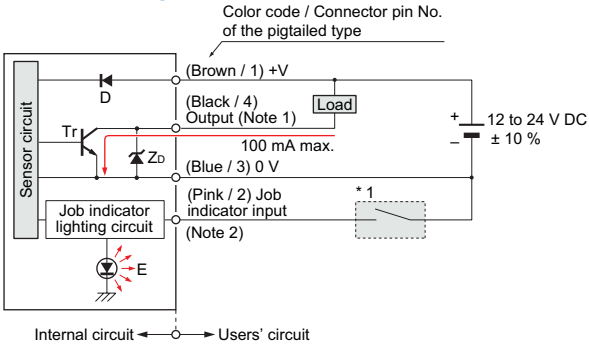
Other Products

- FIBER SENSORS
- LASER SENSORS
- PHOTO-ELECTRIC SENSORS
- MICRO PHOTO-ELECTRIC SENSORS
- AREA SENSORS
- SAFETY COMPONENTS
- PRESSURE SENSORS
- INDUCTIVE PROXIMITY SENSORS
- PARTICULAR USE SENSORS
- SENSOR OPTIONS
- WIRE- SAVING SYSTEMS
- MEASURE- MENT SENSORS
- STATIC CONTROL DEVICES
- LASER MARKERS
- Selection Guide
- Slim Body
- NA2-N**
- Picking
- NA1-PK5 / NA1-5
- NA1-PK3**
- Other Products

I/O CIRCUIT AND WIRING DIAGRAMS

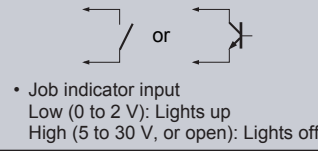
NPN output type

I/O circuit diagram

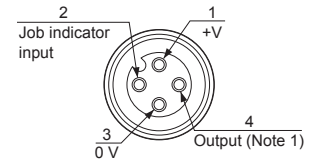


Symbols... D : Reserve supply polarity protection diode
 Zd: Surge absorption zener diode
 Tr: NPN output transistor
 E : Job indicator (IND.)

* 1 Non-contact voltage or NPN open-collector transistor



Connector pin position (Pigtailed type)

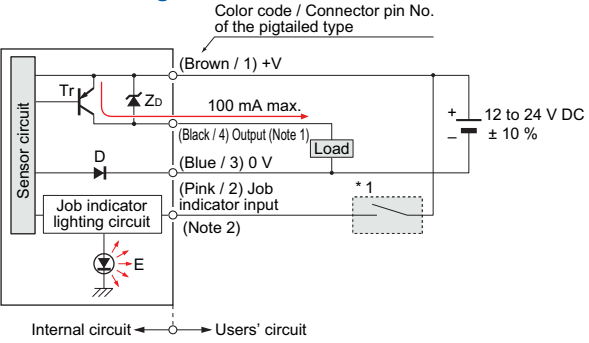


Notes: 1) No connection is required for the emitter.
 2) The pin position for the **SL-WY** Y-shaped connector (optional) is identical to the receiver.

Notes: 1) The emitter does not incorporate the output (black).
 2) When the job indicator is used as a large size operation indicator, connect the job indicator input wire (pink) of the emitter and the receiver to the output wire (black) of the receiver.

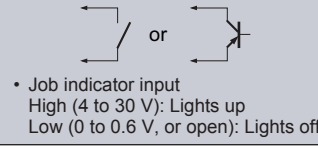
PNP output type

I/O circuit diagram

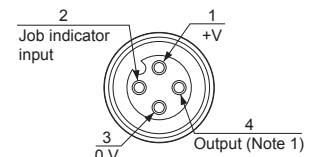


Symbols... D : Reserve supply polarity protection diode
 Zd: Surge absorption zener diode
 Tr: PNP output transistor
 E : Job indicator (IND.)

* 1 Non-contact voltage or PNP open-collector transistor



Connector pin position (Pigtailed type)



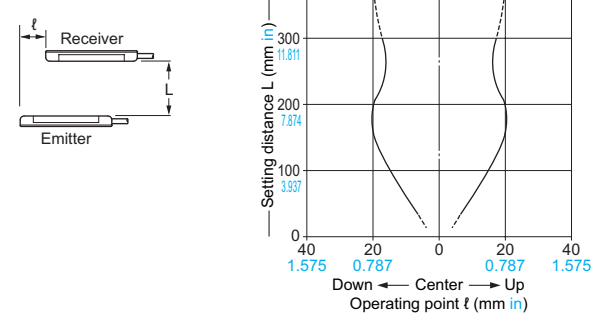
Notes: 1) No connection is required for the emitter.
 2) The pin position for the **SL-WY** Y-shaped connector (optional) is identical to the receiver.

Notes: 1) The emitter does not incorporate the output (black).
 2) When the job indicator is used as a large size operation indicator, connect the job indicator input wire (pink) of the emitter and the receiver to the output wire (black) of the receiver.

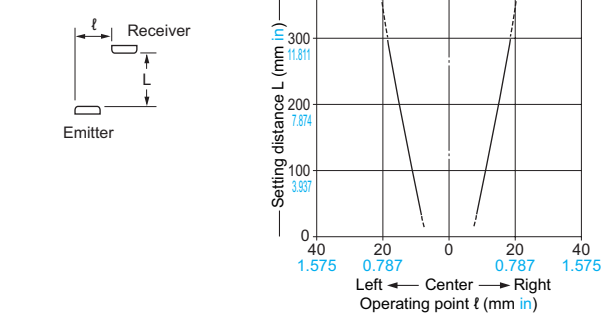
SENSING CHARACTERISTICS (TYPICAL)

Parallel deviation

Vertical direction

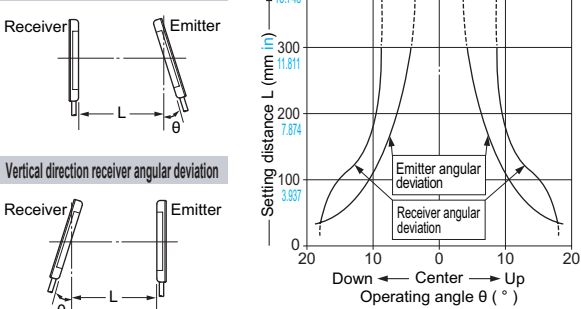


Horizontal direction

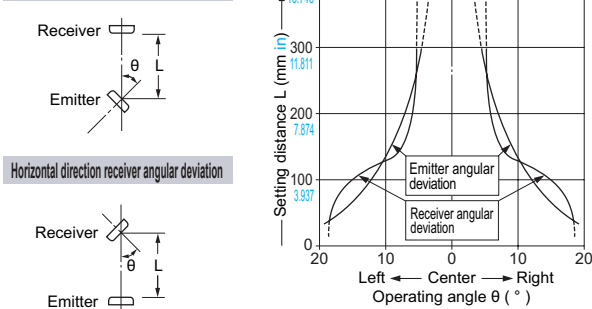


Angular deviation

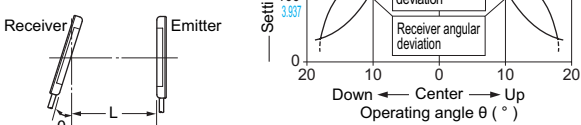
Vertical direction emitter angular deviation



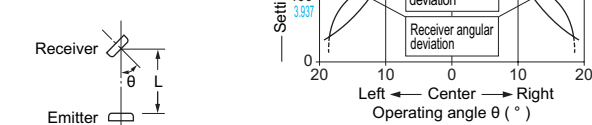
Horizontal direction emitter angular deviation



Vertical direction receiver angular deviation



Horizontal direction receiver angular deviation



PRECAUTIONS FOR PROPER USE

Refer to p.986~ for general precautions.

FIBER SENSORS

LASER SENSORS

PHOTO-ELECTRIC SENSORS

MICRO PHOTO-ELECTRIC SENSORS

AREA SENSORS

SAFETY COMPONENTS

PRESSURE SENSORS

INDUCTIVE PROXIMITY SENSORS

PARTICULAR USE SENSORS

SENSOR OPTIONS

WIRE-SAVING SYSTEMS

MEASUREMENT SENSORS

STATIC CONTROL DEVICES

LASER MARKERS

Selection Guide

Slim Body

NA2-N

Picking

NA1-PK5 / NA1-5

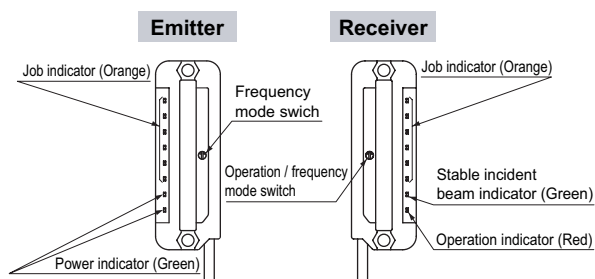
NA1-PK3

Other Products



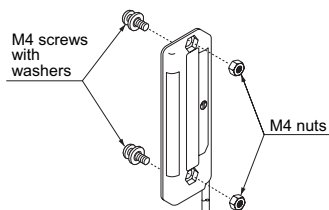
- Never use this product as a sensing device for personnel protection.
- For sensing devices to be used as safety devices for press machines or for personnel protection, use products which meet standards, such as OSHA, ANSI or IEC etc., for personnel protection applicable in each region or country.
- If this product is used as a sensing device for personnel protection, death or serious body injury could result.
- For a product which meets safety standards, use the following products.
Type 4: **SF4B** series (p.481~)
Type 2: **SF2B** series (p.515~)

Part description



Mounting

- Use M4 screws with washers and M4 nuts. The tightening torque should be 0.5 N·m or less. (Please arrange the screws and nuts separately.)



Selection of operation

- The output operation can be selected by the operation / frequency selection switch on the receiver.
(Make sure that the power supply is off while setting the selection switch.)

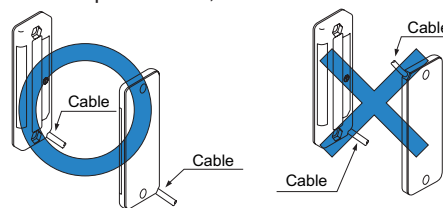
	State of operation / frequency selection switch	Output operation
L-ON	FREQ. 3, 2, 1 (switch position 1) D-ON 1, 2, 3 (switch position 2)	OFF when one or more beams are interrupted.
D-ON	FREQ. 3, 2, 1 (switch position 1) D-ON 1, 2, 3 (switch position 2)	ON when one or more beams are interrupted.

Notes: 1) Selection of the output operation and the frequency for the receiver is carried out with the same switch. When the output operation is set, be sure to select the same frequency No. of the emitter and the receiver.

2) In case the operation / frequency selection switch is set to the position other than 1, 2 or 3, the state of the receiver is in D-ON / frequency 1.

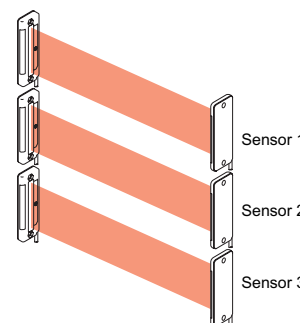
Orientation

- The emitter and the receiver must face each other correctly. If they are set upside down, the sensor does not work.

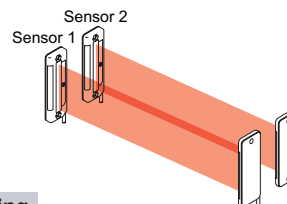


Interference prevention function

- By setting different emission frequencies, three units of **NA1-PK3** can be mounted close together, as shown in the figure on the below.



- However, if the sensors are mounted close together as shown in the figure below, up to 2 sets of sensors are possible.



Frequency setting

- Set the both emitting and receiving frequency of Sensor 1 to FREQ. 1, the both emitting and receiving frequency of Sensor 2 to FREQ. 2 and the both emitting and receiving frequency of Sensor 3 to FREQ. 3.
(Make sure that the power supply is off while setting the selection switch.)

		Emitter		Receiver	
		Frequency selection switch		Operation / Frequency selection switch	
Sensor 1	L-ON	FREQ. 1 (switch position 1)	FREQ. 3, 2, 1 (switch position 1)	D-ON 1 (switch position 2)	FREQ. 3, 2, 1 (switch position 1)
	D-ON	FREQ. 1 (switch position 1)	FREQ. 3, 2, 1 (switch position 1)	D-ON 1 (switch position 2)	FREQ. 3, 2, 1 (switch position 1)
Sensor 2	L-ON	FREQ. 2 (switch position 2)	FREQ. 3, 2, 1 (switch position 1)	D-ON 1 (switch position 2)	FREQ. 3, 2, 1 (switch position 1)
	D-ON	FREQ. 2 (switch position 2)	FREQ. 3, 2, 1 (switch position 1)	D-ON 1 (switch position 2)	FREQ. 3, 2, 1 (switch position 1)
Sensor 3	L-ON	FREQ. 3 (switch position 3)	FREQ. 3, 2, 1 (switch position 1)	D-ON 1 (switch position 2)	FREQ. 3, 2, 1 (switch position 1)
	D-ON	FREQ. 3 (switch position 3)	FREQ. 3, 2, 1 (switch position 1)	D-ON 1 (switch position 2)	FREQ. 3, 2, 1 (switch position 1)

Notes: 1) Take care that selection of the output operation and the frequency for the receiver is carried out with the same switch.

2) In case the frequency switch and the operation / frequency selection switch is set to the position other than 1, 2 or 3, the state of the emitter is in frequency 1 and that of the receiver is in D-ON / frequency 1.

- FIBER SENSORS
- LASER SENSORS
- PHOTO-ELECTRIC SENSORS
- MICRO PHOTO-ELECTRIC SENSORS
- AREA SENSORS
- SAFETY COMPONENTS
- PRESSURE SENSORS
- INDUCTIVE PROXIMITY SENSORS
- PARTICULAR USE SENSORS
- SENSOR OPTIONS
- WIRE-SAVING SYSTEMS
- MEASUREMENT SENSORS
- STATIC CONTROL DEVICES
- LASER MARKERS

PRECAUTIONS FOR PROPER USE

Refer to p.986~ for general precautions.

Wiring

- Make sure that the power supply is off while wiring and setting the selection switch.
- Take care that wrong wiring may damage the sensor.
- Verify that the supply voltage variation is within the rating.
- If power is supplied from a commercial switching regulator, ensure that the frame ground (F.G.) terminal of the power supply is connected to an actual ground.
- In case noise generating equipment (switching regulator, inverter motor, etc.) is used in the vicinity of the sensor, connect the frame ground (F.G.) terminal of the equipment to an actual ground.
- Extension up to total 100 m **328.084 ft** is possible with 0.3 mm², or more, cable for both emitter and receiver. However, in order to reduce noise, make the wiring as short as possible.
- Do not run the wires together with high-voltage lines or power lines or put them in the same raceway. This can cause malfunction due to induction.

- Make sure to use an isolation transformer for the DC power supply. If an auto-transformer (single winding transformer) is used, this product or the power supply may get damaged.
- In case a surge is generated in the used power supply, connect a surge absorber to the supply and absorb the surge.

Others

- Do not use during the initial transient time (0.5 sec.) after the power supply is switched on.
- Take care that the sensor is not directly exposed to fluorescent light from a rapid-starter lamp or a high frequency lighting device, as it may affect the sensing performance.
- Avoid dust, dirt, and steam.
- Take care that the product does not come in direct contact with water, oil, grease or organic solvents, such as, thinner, etc.
- To select the switch, a minus screwdriver is necessary. (Tip dimension: 2.5 × 0.6 mm **0.098 × 0.024 in**)
- This sensor is suitable for indoor use only.

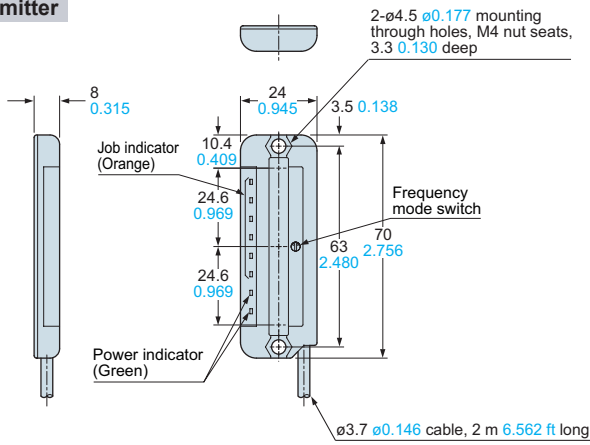
DIMENSIONS (Unit: mm in)

The CAD data in the dimensions can be downloaded from the SUNX website: <http://www.sunx.com>

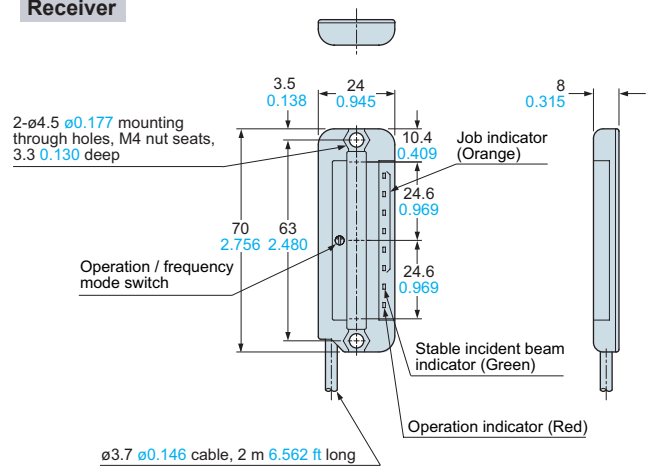
NA1-PK3 NA1-PK3-PN

Sensor

Emitter

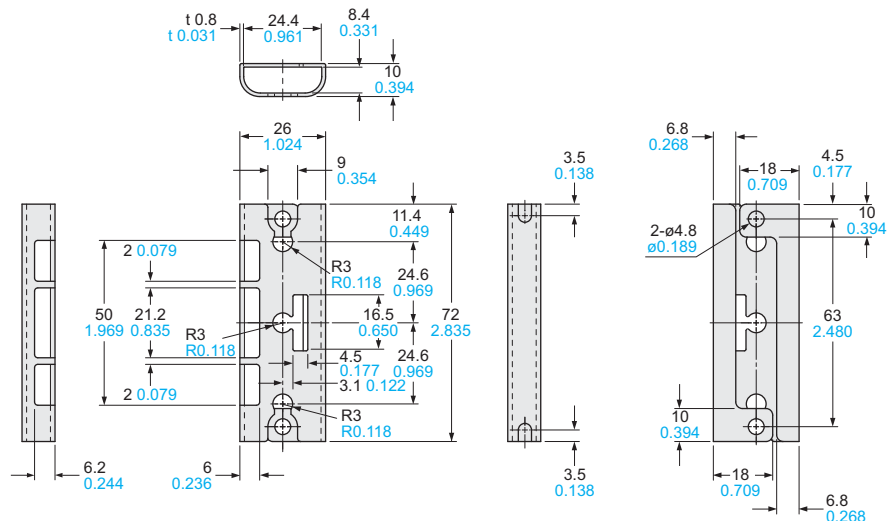


Receiver



MS-NA3-3

Sensor protection bracket (Optional)



Material: Cold rolled carbon steel (SPCC)
(Black chromate)

Two bracket set
[Four M4 (length 15 mm **0.591 in**) screws with washers and four nuts are attached.]

Note: The sensor protection bracket can be used for both the emitter and the receiver.

