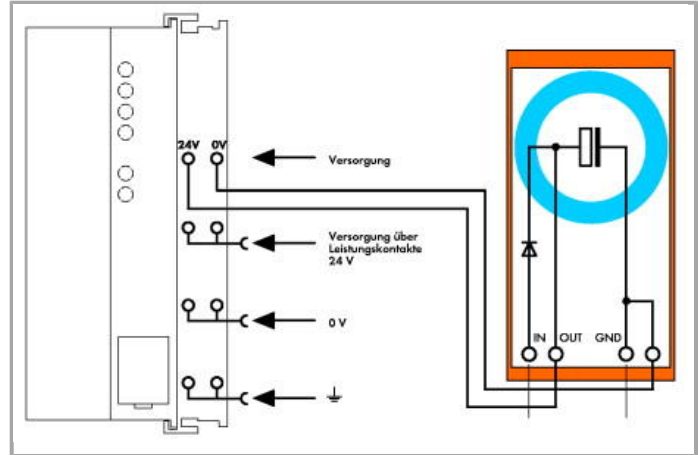


Data sheet | Item number: 288-824

Component module with capacitor; 1 pcs; Capacity: 10 mF; Nominal voltage: 24 VDC



www.wago.com/288-824



Item description

This module is equipped with a capacitor which smoothes unstable 24VDC power supplies in case the voltage tolerances mentioned in our data sheets cannot be ensured. Reasons for voltage transients could be:

- Voltage disconnections (switching transients) on primary side
- Overloads on secondary side
- Switching of inductive or capacitive loads

The back-up capacitor module is connected between the 24V power supply and the electronic device which has to be protected.



Notice:

If using a non-filtered single-phase power supply, the capacitor causes a voltage increase.

Data

Technical Data

Input

Nominal input voltage $U_{i\text{nom}}$	24 VDC
Input voltage range	0 ... +25 %
Input current I_i	≤ 1 A

Energy storage

Nominal capacity	10000 μ F
------------------	---------------

Connection data

Connection technology	CAGE CLAMP®
WAGO terminal	WAGO 236 Series
Solid conductor	0.08 ... 2.5 mm ² / 28 ... 12 AWG
Fine-stranded conductor	0.08 ... 2.5 mm ² / 28 ... 12 AWG
Strip length	5 ... 6 mm / 0.2 ... 0.24 Inch

Geometrical Data

Width	38 mm / 1.496 inch
Height from upper-edge of DIN-35 rail	81 mm / 3.189 inch
Depth	85 mm / 3.346 inch

Mechanical data

Type of mounting	DIN-35 rail (EN 60715)
------------------	------------------------

Material Data

Color	gray
Fire load	0.675 MJ
Weight	101.586 g

Standards and specifications

Conformity marking	CE
--------------------	----



Commercial data

Country of origin	DE
GTIN	4045454649593
Customs Tariff No.	85322200000
Product Group	6 (Interface Electronics)

Downloads

Documentation

Bid Text

288-824	Jan 14, 2016	DOC	Download
Stromversorgung EPSITRON		26.1 kB	

Additional Information

Disposal; Electrical and electronic equipment, Packaging	Oct 15, 2018		Download
		265.8 kB	

smartDATA

CAD data

3D Download 288-824	URL	Download
---------------------	-----	----------

Subject to changes.