

# Hybrid motor starter - ELR H3-IES-SC-230AC/500AC-2 - 2900568

Please be informed that the data shown in this PDF Document is generated from our Online Catalog. Please find the complete data in the user's documentation. Our General Terms of Use for Downloads are valid (<http://download.phoenixcontact.com>)



"3 in 1" hybrid motor starter for starting 3~ AC motors up to 550 V AC, with 230 V AC input, 2.4 A output current, emergency stop function, and adjustable overload shutdown.

Illustration shows the 24 V design

## Product Features

- 22.5 mm wide
- Safety level according to IEC 61508-1: SIL 3, ISO 13849: PL e
- Long service life
- Reduction in wiring
- Space saving
- Bimetal function can be set up to 9 A
- 3-phase loop bridges



## Key commercial data

package_quantity	1
GTIN	4046356526142

## Technical data

### Dimensions

Width	22.5 mm
Height	99 mm
Depth	114.5 mm

### Ambient conditions

Ambient temperature (operation)	-25 °C ... 70 °C
Ambient temperature (storage/transport)	-40 °C ... 80 °C
Degree of protection	IP20

### Input data

Input name	Device supply
Rated control supply voltage $U_s$	230 V AC (50/60 Hz)
Voltage range with reference to $U_s$	0.4 ... 1.1
Rated control supply current $I_s$	4 mA
Rated actuating voltage $U_c$	230 V AC

# Hybrid motor starter - ELR H3-IES-SC-230AC/500AC-2 - 2900568

## Technical data

### Input data

Voltage range with reference to $U_c$	0.4 ... 1.1
Rated actuating current $I_c$	7 mA
Switching threshold "0" signal, voltage	44 V AC
Switching threshold "1" signal voltage	85 V AC
Protective circuit	Surge protection
Typical response time	< 35 ms
Typical turn-off time	< 80 ms
Operating voltage display	Green LED
Status display	Yellow LED
Indication	Red LED
Input name	Control input right/left

### Output data

Output name	AC output
Nominal output voltage	500 V AC
Nominal output voltage range	42 V AC ... 550 V AC
Load current	max. 2.4 A (see derating curve)
Rated operating current at AC-51	2.4 A
Rated operating current at AC-53a	2.4 A
Leakage current	0 mA
Residual voltage	< 0.3 V
Surge current	100 A (t = 10 ms)
Type of protection	Surge protection
Output name	Acknowledge output
Note	Confirmation 01: Floating PDT contact
Nominal output voltage	max. 250 V AC
Continuous load current	6 A

### Output data, signaling contact

Measuring via	Current transformer for line current on L1 and L3
---------------	---

### Connection data

Connection method	Screw connection
Conductor cross section solid min.	0.14 mm <sup>2</sup>
Conductor cross section solid max.	2.5 mm <sup>2</sup>
Conductor cross section stranded min.	0.14 mm <sup>2</sup>
Conductor cross section stranded max.	2.5 mm <sup>2</sup>
Conductor cross section AWG/kcmil min.	26
Conductor cross section AWG/kcmil max	14

### General

Test voltage input/output	4 kV <sub>rms</sub>
Mounting position	Vertical (horizontal DIN rail)

# Hybrid motor starter - ELR H3-IES-SC-230AC/500AC-2 - 2900568

## Technical data

### General

<b>Assembly instructions</b>	Can be aligned with spacing = 20 mm
<b>Operating mode</b>	100% operating factor
<b>Name</b>	Standards/regulations
<b>Standards/regulations</b>	DIN EN 50178
<b>Standards/regulations</b>	EN 60947
<b>Name</b>	Power station requirements
<b>Standards/regulations</b>	DWR 1300 / ZXX01/DD/7080.8d
<b>Name</b>	Air and creepage distances between the power circuits
<b>Standards/regulations</b>	DIN EN 50178
<b>Rated surge voltage / insulation</b>	6 kV/safe isolation
<b>Rated insulation voltage</b>	500 V
<b>Pollution degree</b>	2
<b>Surge voltage category</b>	III
<b>Safety integrity level according to IEC 61508-1</b>	SIL 3 (safe shutdown)
<b>Safety integrity level according to IEC 61508-1</b>	SIL 2 (motor protection)
<b>Category as per ISO 13849-1</b>	3
<b>Performance Level as per ISO 13849-1</b>	e
<b>Category in acc. with EN 954-1</b>	3

## classifications

### eCl@ss

<b>eCl@ss 4.0</b>	27371102
<b>eCl@ss 4.1</b>	27371102
<b>eCl@ss 5.0</b>	27371601
<b>eCl@ss 5.1</b>	27371601
<b>eCl@ss 6.0</b>	27371601
<b>eCl@ss 7.0</b>	27371601
<b>eCl@ss 8.0</b>	27371601

### ETIM

<b>ETIM 2.0</b>	EC000066
<b>ETIM 3.0</b>	EC000066
<b>ETIM 4.0</b>	EC000066
<b>ETIM 5.0</b>	EC000066

### UNSPSC

<b>UNSPSC 6.01</b>	30211915
<b>UNSPSC 7.0901</b>	39121514
<b>UNSPSC 11</b>	39121514
<b>UNSPSC 12.01</b>	39121514
<b>UNSPSC 13.2</b>	39121514

# Hybrid motor starter - ELR H3-IES-SC-230AC/500AC-2 - 2900568

## approvals

ATEX / UL Listed / cUL Listed / IECEx CB Scheme / UL Listed / cUL Listed / GL / GL-SW / IECEx CB Scheme / cULus Listed / GL /

### Approval details

ATEX	
Nominal voltage UN	
Nominal current IN	
mm <sup>2</sup> /AWG/kcmil	

UL Listed
-----------

cUL Listed
------------

IECEx CB Scheme
-----------------

--

--

GL
----

GL-SW
-------

--

# Hybrid motor starter - ELR H3-IES-SC-230AC/500AC-2 - 2900568

approvals

cULus Listed 

accessories

**Loop bridge**

BRIDGE- 2 - 2900746



BRIDGE- 3 - 2900747



BRIDGE- 4 - 2900748



BRIDGE- 5 - 2900749



# Hybrid motor starter - ELR H3-IES-SC-230AC/500AC-2 - 2900568

## accessories

BRIDGE- 6 - 2900750



BRIDGE- 7 - 2900751



BRIDGE- 8 - 2900752



BRIDGE- 9 - 2900753



BRIDGE-10 - 2900754



BRIDGE- 2-3M - 2901543



# Hybrid motor starter - ELR H3-IES-SC-230AC/500AC-2 - 2900568

## accessories

---

BRIDGE- 3-3M - 2901656



BRIDGE- 4-3M - 2901659



BRIDGE- 5-3M - 2901545



BRIDGE- 6-3M - 2901697



BRIDGE- 7-3M - 2901698



# Hybrid motor starter - ELR H3-IES-SC-230AC/500AC-2 - 2900568

## accessories

BRIDGE- 8-3M - 2901700



BRIDGE- 9-3M - 2901701



BRIDGE-10-3M - 2901702



BRIDGE- 2-1M - 2901542



BRIDGE- 3-1M - 2901655



BRIDGE- 4-1M - 2901658





# Hybrid motor starter - ELR H3-IES-SC-230AC/500AC-2 - 2900568

accessories

BRIDGE- 5-1M - 2901544

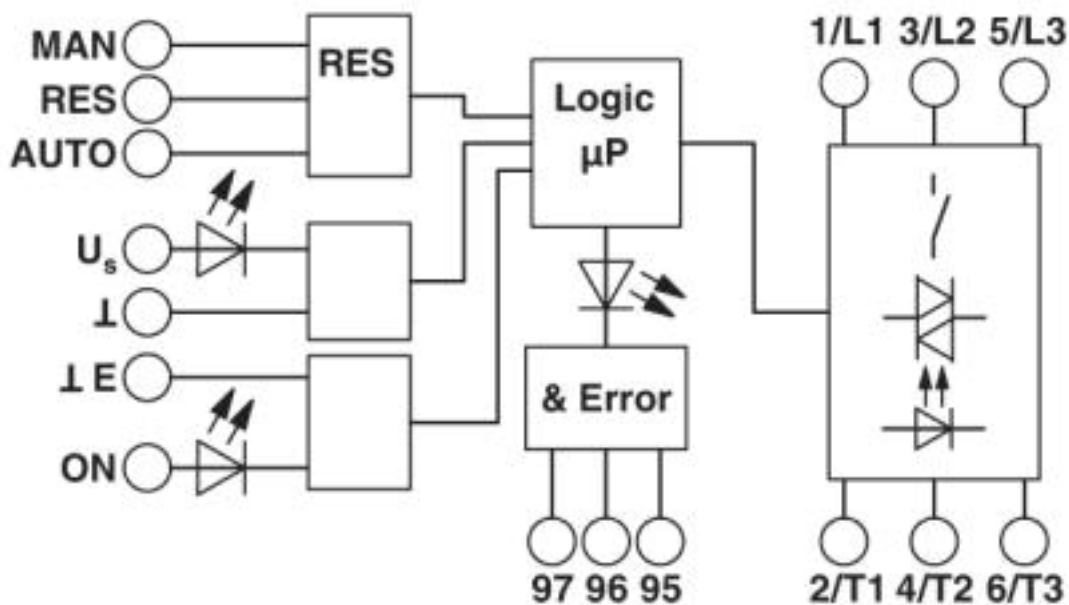


BRIDGE- 6-1M - 2901649



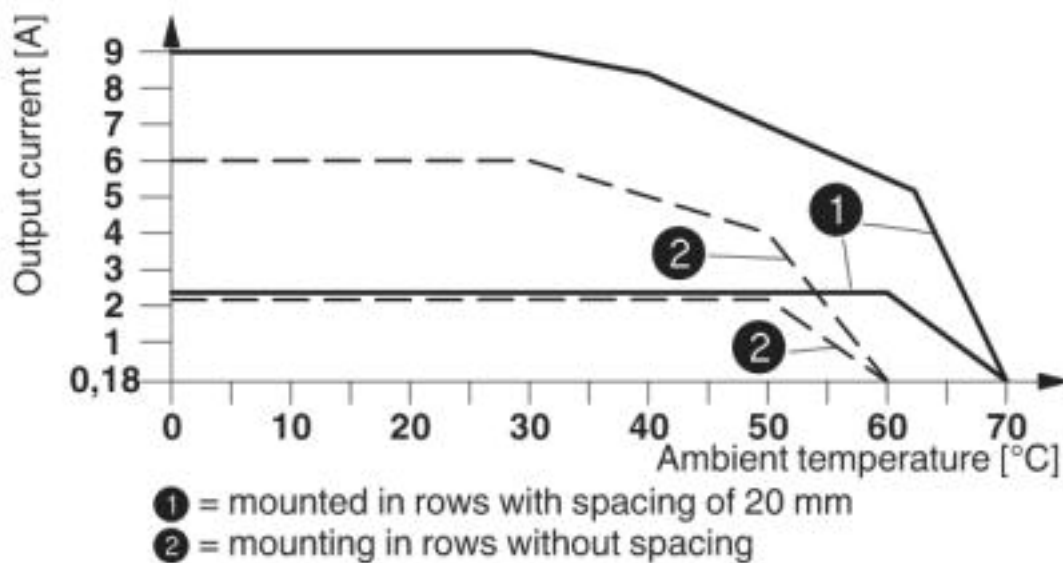
## Drawings

Block diagram



# Hybrid motor starter - ELR H3-IES-SC-230AC/500AC-2 - 2900568

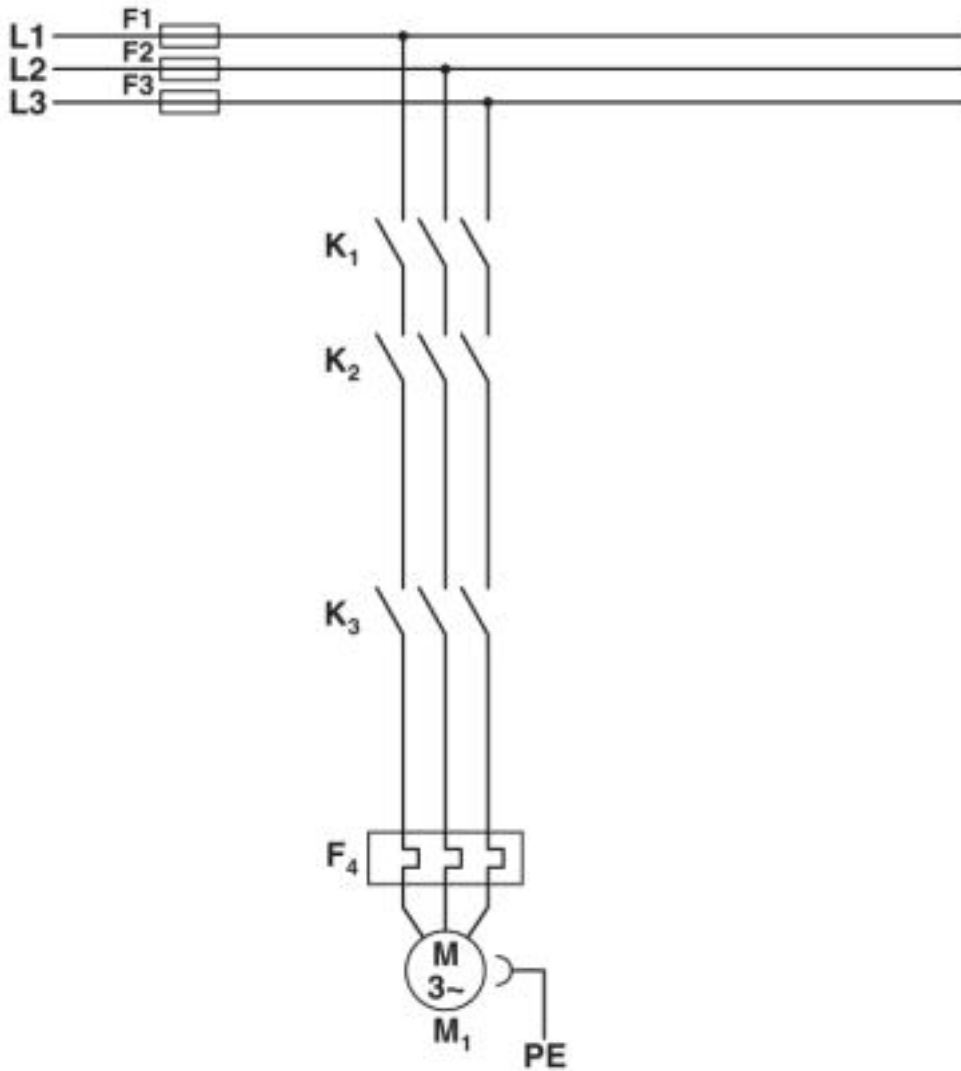
Diagram



Derating curve ELR H3-IES-SC-230AC/500AC-2 and ELR H3-IES-SC-230AC/500AC-9

# Hybrid motor starter - ELR H3-IES-SC-230AC/500AC-2 - 2900568

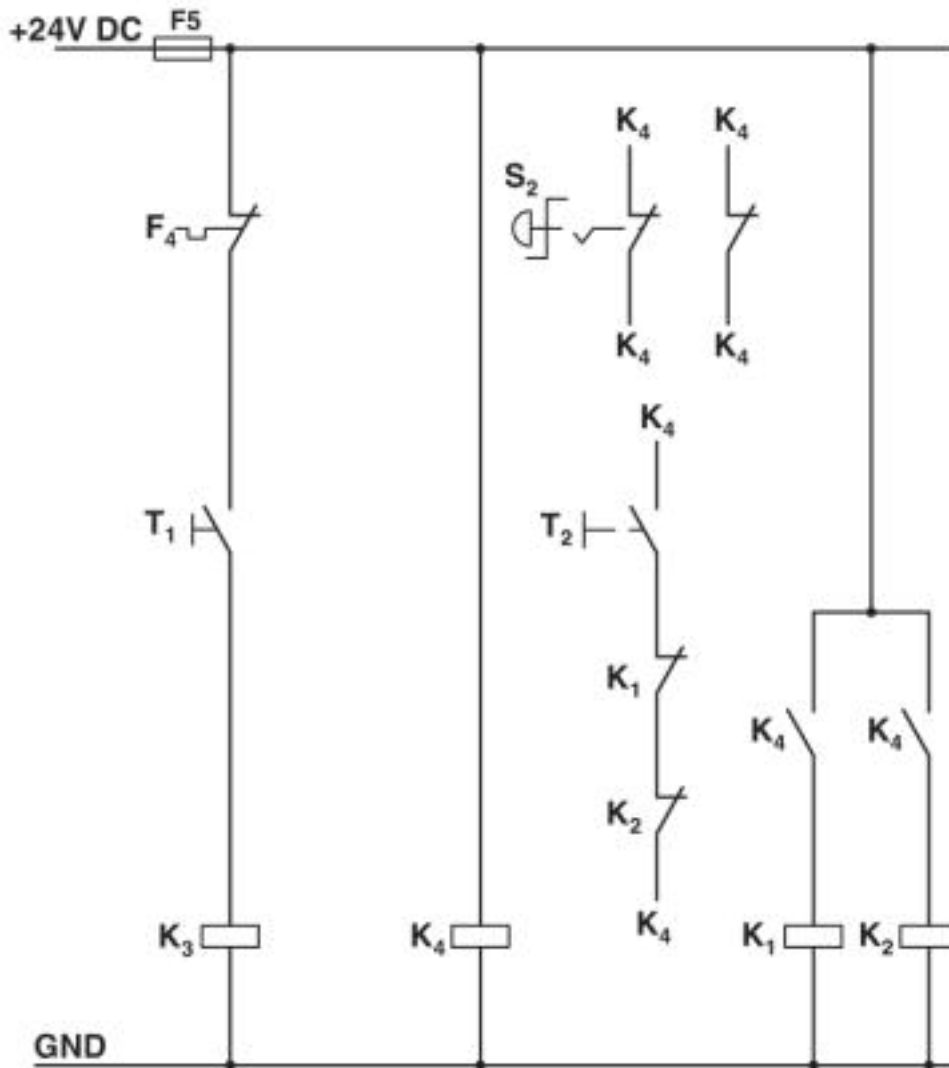
Circuit diagram



Conventional structure  
Main current path for contactor according to category 3K1 + K2 = Emergency stop contactor  
K3 = Right contactor  
F4 = Motor protection relay

# Hybrid motor starter - ELR H3-IES-SC-230AC/500AC-2 - 2900568

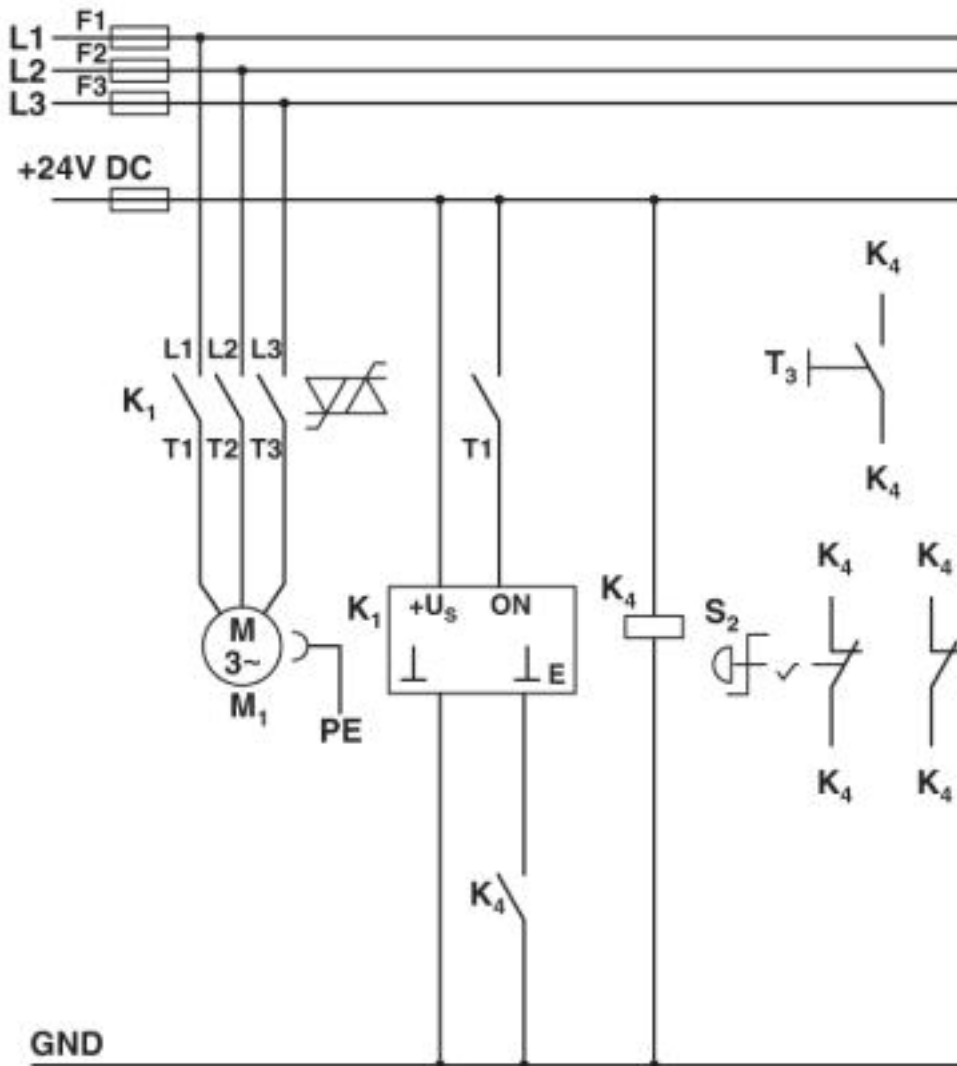
Circuit diagram



Conventional structure  
 Control current path for contactor according to category 3  
 K1 + K2 = Emergency stop contactor  
 K3 = Right contactor  
 K4 = PSR SCP-24DC.../safety relay  
 T1 = Right, T3 = Reset  
 S2 = Emergency stop  
 F4 = Motor protection relay

# Hybrid motor starter - ELR H3-IES-SC-230AC/500AC-2 - 2900568

Circuit diagram



Structure with CONTACTRONMain and control current path for "3 in 1" hybrid motor starter according to category 3K1 = "3 in 1" hybrid motor starter  
K4 = PSR SCP-24DC.../safety relay  
T1 = Right, T3 = Reset  
S2 = Emergency stop

© Phoenix Contact 2013 - all rights reserved  
<http://www.phoenixcontact.com>