

Hybrid motor starter - ELR H5-SC-230AC/500AC-9 - 2900539

Please be informed that the data shown in this PDF Document is generated from our Online Catalog. Please find the complete data in the user's documentation. Our General Terms of Use for Downloads are valid (<http://download.phoenixcontact.com>)



Hybrid "2 in 1" motor starter for reversing 3~ AC motors with up to 550 V AC, with 230 V AC input, 9 A output current.

Illustration shows the 24 V design

Product Features

- 22.5 mm wide
- Long service life
- Space saving
- Reduction in wiring
- 3-phase loop bridges
- Bimetal function can be set up to 9 A



Key commercial data

package_quantity	1
GTIN	4046356526098

Technical data

Dimensions

Width	22.5 mm
Height	99 mm
Depth	114.5 mm

Ambient conditions

Ambient temperature (operation)	-25 °C ... 70 °C
Ambient temperature (storage/transport)	-40 °C ... 80 °C
Degree of protection	IP20

Input data

Input name	Device supply
Rated control supply voltage U_s	230 V AC (50/60 Hz)
Voltage range with reference to U_s	0.4 ... 1.1
Rated control supply current I_s	4 mA
Rated actuating voltage U_c	230 V AC
Voltage range with reference to U_c	0.4 ... 1.1

Hybrid motor starter - ELR H5-SC-230AC/500AC-9 - 2900539

Technical data

Input data

Rated actuating current I_c	7 mA
Switching threshold "0" signal, voltage	44 V AC
Switching threshold "1" signal voltage	85 V AC
Protective circuit	Surge protection
Typical response time	< 35 ms
Typical turn-off time	< 80 ms
Operating voltage display	Green LED
Status display	Yellow LED
Indication	Red LED
Input name	Control input right/left

Output data

Output name	AC output
Nominal output voltage	500 V AC
Nominal output voltage range	42 V AC ... 550 V AC
Load current	max. 9 A (see derating curve)
Rated operating current at AC-51	9 A
Rated operating current at AC-53a	6.5 A
Leakage current	0 mA
Residual voltage	< 0.5 V
Surge current	100 A (t = 10 ms)
Type of protection	Surge protection

Connection data

Connection method	Screw connection
Conductor cross section solid min.	0.14 mm ²
Conductor cross section solid max.	2.5 mm ²
Conductor cross section stranded min.	0.14 mm ²
Conductor cross section stranded max.	2.5 mm ²
Conductor cross section AWG/kcmil min.	26
Conductor cross section AWG/kcmil max	14

General

Test voltage input/output	4 kV _{rms}
Mounting position	Vertical (horizontal DIN rail)
Assembly instructions	Can be aligned with spacing = 20 mm
Operating mode	100% operating factor
Name	Standards/regulations
Standards/regulations	DIN EN 50178
Standards/regulations	EN 60947
Name	Air and creepage distances between the power circuits
Standards/regulations	DIN EN 50178
Rated surge voltage / insulation	6 kV/safe isolation

Hybrid motor starter - ELR H5-SC-230AC/500AC-9 - 2900539

Technical data

General

Rated insulation voltage	500 V
Pollution degree	2
Surge voltage category	III

classifications

eCl@ss

eCl@ss 4.0	27371102
eCl@ss 4.1	27371102
eCl@ss 5.0	27371601
eCl@ss 5.1	27371601
eCl@ss 6.0	27371601
eCl@ss 7.0	27371601
eCl@ss 8.0	27371601

ETIM

ETIM 2.0	EC000066
ETIM 3.0	EC000066
ETIM 4.0	EC000066
ETIM 5.0	EC000066


UNSPSC


UNSPSC 6.01	30211915
UNSPSC 7.0901	39121514
UNSPSC 11	39121514
UNSPSC 12.01	39121514
UNSPSC 13.2	39121514

approvals

UL Listed / cUL Listed / IECB Scheme / UL Listed / cUL Listed / IECB Scheme / cULus Listed /

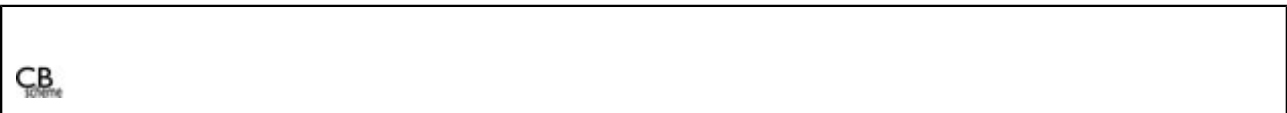
Approval details

UL Listed 

cUL Listed 
--

Hybrid motor starter - ELR H5-SC-230AC/500AC-9 - 2900539

approvals



accessories

Loop bridge

BRIDGE- 2 - 2900746



BRIDGE- 3 - 2900747



Hybrid motor starter - ELR H5-SC-230AC/500AC-9 - 2900539

accessories

BRIDGE- 4 - 2900748



BRIDGE- 5 - 2900749



BRIDGE- 6 - 2900750



BRIDGE- 7 - 2900751



BRIDGE- 8 - 2900752



BRIDGE- 9 - 2900753



Hybrid motor starter - ELR H5-SC-230AC/500AC-9 - 2900539

accessories

BRIDGE-10 - 2900754



BRIDGE- 2-3M - 2901543



BRIDGE- 3-3M - 2901656



BRIDGE- 4-3M - 2901659



BRIDGE- 5-3M - 2901545



Hybrid motor starter - ELR H5-SC-230AC/500AC-9 - 2900539

accessories

BRIDGE- 6-3M - 2901697



BRIDGE- 7-3M - 2901698



BRIDGE- 8-3M - 2901700



BRIDGE- 9-3M - 2901701



BRIDGE-10-3M - 2901702



BRIDGE- 2-1M - 2901542



Hybrid motor starter - ELR H5-SC-230AC/500AC-9 - 2900539

accessories

BRIDGE- 3-1M - 2901655



BRIDGE- 4-1M - 2901658



BRIDGE- 5-1M - 2901544



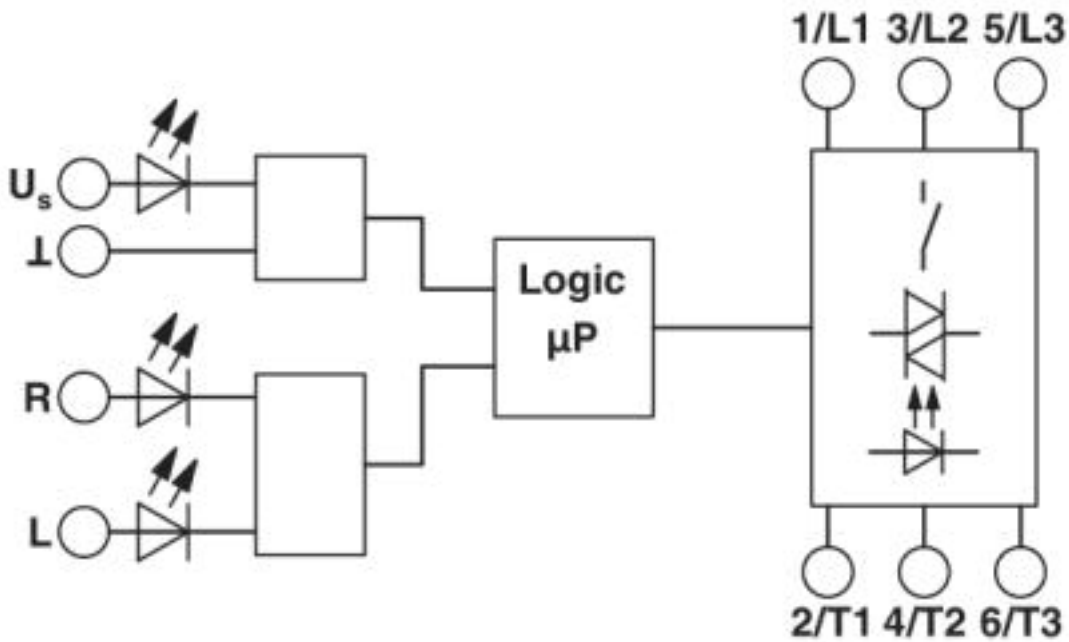
BRIDGE- 6-1M - 2901649



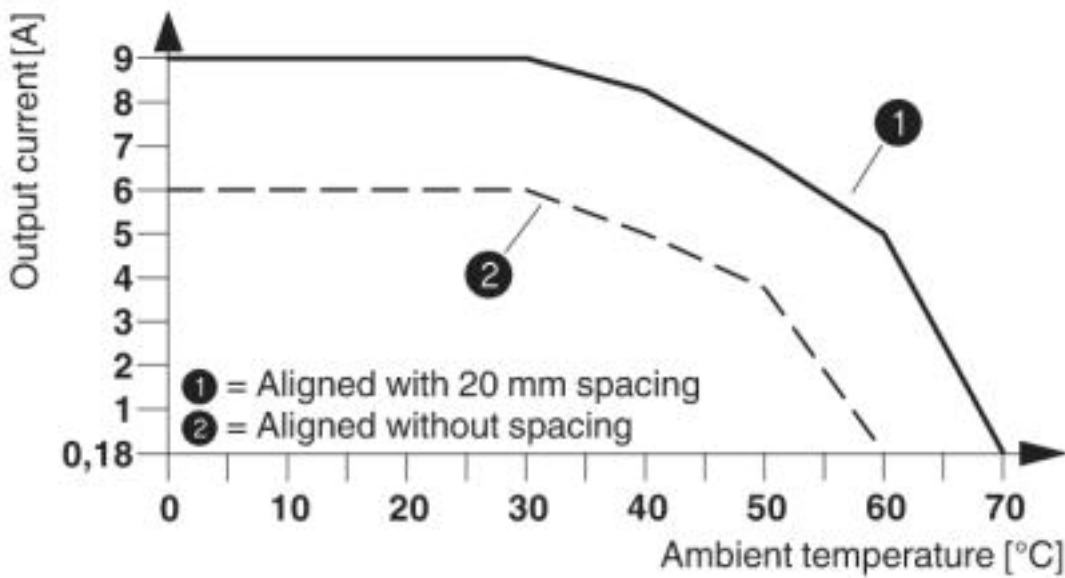
Drawings

Hybrid motor starter - ELR H5-SC-230AC/500AC-9 - 2900539

Block diagram



Diagram



Derating curve for ELR H3-SC-230AC/500AC-9100% operating time

© Phoenix Contact 2013 - all rights reserved
<http://www.phoenixcontact.com>