

Optocoupler module - UMK- 4 OM-R/MF - 2970882

Please be informed that the data shown in this PDF Document is generated from our Online Catalog. Please find the complete data in the user's documentation. Our General Terms of Use for Downloads are valid (<http://download.phoenixcontact.com>)



Interface module, with plug-in socket for 4 solid-state relays, with security latch, with screw connection, with light indicator and fuse, control logic: minus switching

The illustration shows a version for 4 pluggable digital I/O modules, or SOLID-state relays

Product Features

- Status indicator
- Integrated fuse for line protection
- Can be fitted with solid-state relays or I/O modules



Key commercial data

| | |
|------------------|---------------|
| package_quantity | 1 |
| GTIN | 4017918088033 |

Technical data

Dimensions

| | |
|--------|-------|
| Width | 90 mm |
| Height | 77 mm |
| Depth | 72 mm |

Ambient conditions

| | |
|---|------------------|
| Ambient temperature (operation) | -20 °C ... 55 °C |
| Ambient temperature (storage/transport) | -20 °C ... 70 °C |

Input data

| | |
|--------------------------------|-------------------------------|
| Typical input current at U_N | 30 mA (Optocoupler dependent) |
| Status display/channel | Yellow LED |

Output data

| | |
|--|-----|
| Limiting continuous current | 4 A |
| Error detection (line break / short-circuit) | no |

General

| | |
|-----------------|---|
| No. of channels | 4 |
|-----------------|---|

Optocoupler module - UMK- 4 OM-R/MF - 2970882

Technical data

General

| | |
|------------------------------------|------------------------------------|
| Compatible components | Digital I/O modules |
| With components | No |
| Standards/regulations | DIN VDE 0110b, Gr. C for 250 V DC |
| Standards/regulations | DIN VDE 0160 (in relevant parts) |
| Mounting position | Any |
| Assembly instructions | In rows with zero spacing |
| Housing insulation material | PVC, side panel PA non-reinforced, |
| Color | green |

Connection data for connection 1

| | |
|---|---------------------|
| Connection name | Input |
| Number of connections | 1 |
| Connection method | Screw connection |
| Number of positions | 6 |
| Conductor cross section stranded min. | 0.2 mm ² |
| Conductor cross section stranded max. | 2.5 mm ² |
| Conductor cross section solid min. | 0.2 mm ² |
| Conductor cross section solid max. | 4 mm ² |
| Conductor cross section AWG/kcmil min. | 24 |
| Conductor cross section AWG/kcmil max | 12 |
| Screw thread | M3 |
| Stripping length | 8 mm |

classifications

eCl@ss

| | |
|-------------------|----------|
| eCl@ss 4.0 | 27371102 |
| eCl@ss 4.1 | 27371102 |
| eCl@ss 5.0 | 27371001 |
| eCl@ss 5.1 | 27371001 |
| eCl@ss 6.0 | 27371001 |
| eCl@ss 7.0 | 27371001 |
| eCl@ss 8.0 | 27371001 |

ETIM

| | |
|-----------------|----------|
| ETIM 2.0 | EC001504 |
| ETIM 3.0 | EC001504 |
| ETIM 4.0 | EC001504 |
| ETIM 5.0 | EC001504 |

UNSPSC

| | |
|----------------------|----------|
| UNSPSC 6.01 | 30211916 |
| UNSPSC 7.0901 | 39121542 |

Optocoupler module - UMK- 4 OM-R/MF - 2970882

classifications

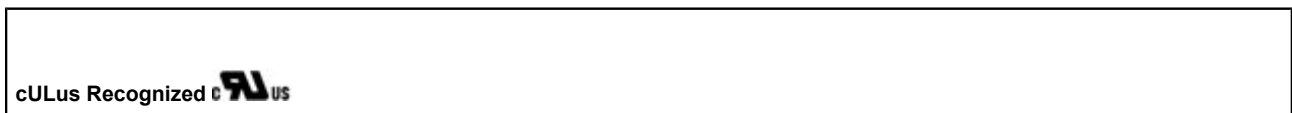
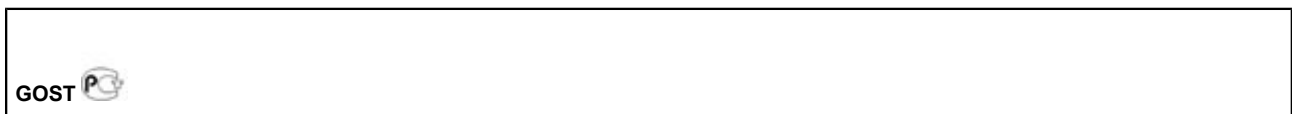
UNSPSC

| | |
|--------------|----------|
| UNSPSC 11 | 39121542 |
| UNSPSC 12.01 | 39121542 |
| UNSPSC 13.2 | 39121542 |

approvals

UL Recognized / cUL Recognized / GOST / cULus Recognized /

Approval details



accessories

Fuse

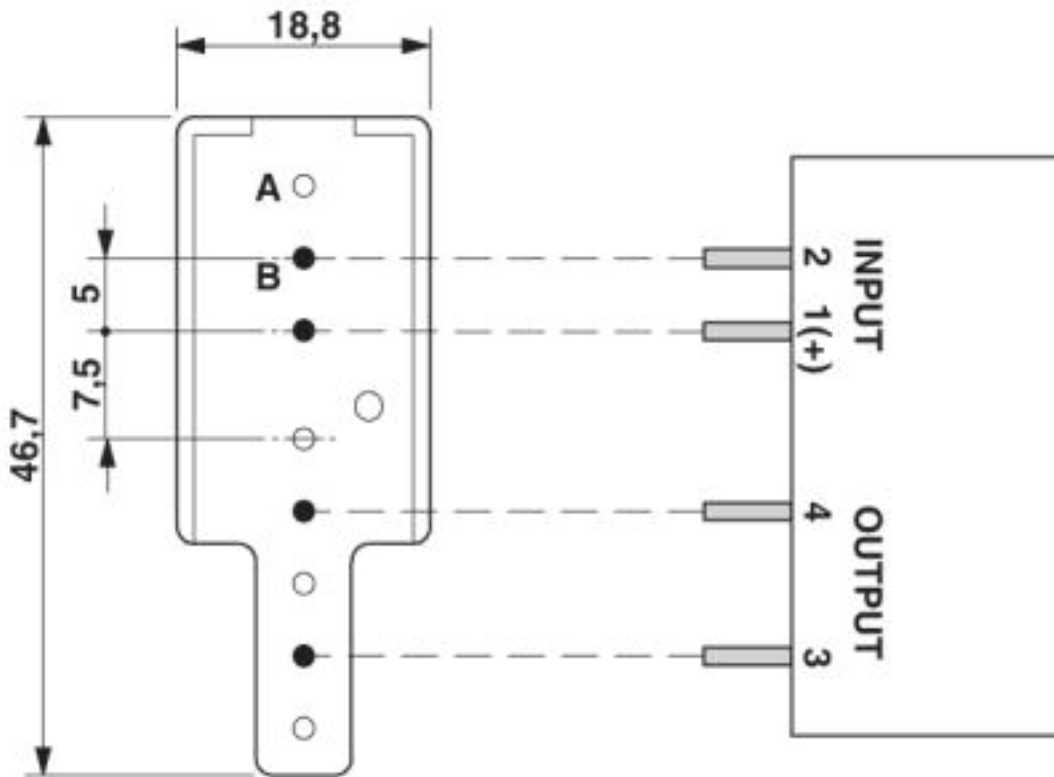
VF-SI/TR5/4AT - 2900998



Drawings

Optocoupler module - UMK- 4 OM-R/MF - 2970882

Dimensioned drawing



A = without metal
B = with metal

Circuit diagram

