

Relay Module - EMG 10-REL/KSR-120/21-LC - 2964445

Please be informed that the data shown in this PDF Document is generated from our Online Catalog. Please find the complete data in the user's documentation. Our General Terms of Use for Downloads are valid (<http://download.phoenixcontact.com>)



Relay module, with soldered-in miniature switching relay, contact (AgNi): Medium to large loads, 1 PDT, input voltage 120 V AC/DC

The figure shows the EMG 10-REL/KSR-G 24/21-LC variant

Product Features

- Safe isolation according to DIN EN 50178 between coil and contact
- Integrated input circuit and interference suppression circuit



Key commercial data

| | |
|------------------|---------------|
| package_quantity | 10 |
| GTIN | 4017918125110 |

Technical data

Note:

| | |
|-------------------------|---|
| Utilization restriction | EMC: class A product, see manufacturer's declaration in the download area |
|-------------------------|---|

Dimensions

| | |
|--------|---------|
| Width | 10.6 mm |
| Height | 75 mm |
| Depth | 62.5 mm |

Ambient conditions

| | |
|---|------------------|
| Ambient temperature (operation) | -20 °C ... 40 °C |
| Ambient temperature (storage/transport) | -20 °C ... 70 °C |

Coil side

| | |
|---|-----------------------------------|
| Nominal input voltage U_N | 120 V AC/DC |
| Input voltage range in reference to U_N | 0.8 ... 1.1 |
| Nominal input current at U_{IN} | 5 mA |
| Typical response time | 7 ms |
| Typical release time | 11 ms |
| Operating voltage display | Yellow LED |
| Protective circuit | Bridge rectifier Bridge rectifier |

Relay Module - EMG 10-REL/KSR-120/21-LC - 2964445

Technical data

Coil side

| | |
|---------------------------|---------------------------|
| Protective circuit | Surge protection Varistor |
|---------------------------|---------------------------|

Contact side

| | |
|--|------------------------|
| Contact type | Single contact, 1-PDT |
| Contact material | AgNi |
| Maximum switching voltage | 250 V AC/DC |
| Maximum inrush current | 8 A |
| Limiting continuous current | 6 A |
| Interrupting rating (ohmic load) max. | 140 W (at 24 V DC) |
| Interrupting rating (ohmic load) max. | 53 W (at 48 V DC) |
| Interrupting rating (ohmic load) max. | 45 W (at 60 V DC) |
| Interrupting rating (ohmic load) max. | 35 W (at 110 V DC) |
| Interrupting rating (ohmic load) max. | 55 W (at 220 V DC) |
| Interrupting rating (ohmic load) max. | 1500 VA (for 250 V AC) |

General

| | |
|---|--------------------------------|
| Test voltage relay winding/relay contact | 4 kV AC (50 Hz, 1 min.) |
| Operating mode | 100% operating factor |
| Mechanical service life | Approx. 2×10^7 cycles |
| Standards/regulations | IEC 60664 |
| Standards/regulations | EN 50178 |
| Standards/regulations | IEC 62103 |
| Rated surge voltage / insulation | Basic insulation |
| Pollution degree | 2 |
| Surge voltage category | III |
| Mounting position | Any |
| Assembly instructions | In rows with zero spacing |

Connection data

| | |
|---|---------------------|
| Connection method | Screw connection |
| Conductor cross section solid min. | 0.2 mm ² |
| Conductor cross section solid max. | 4 mm ² |
| Conductor cross section stranded min. | 0.2 mm ² |
| Conductor cross section stranded max. | 2.5 mm ² |
| Conductor cross section AWG/kcmil min. | 24 |
| Conductor cross section AWG/kcmil max | 12 |
| Stripping length | 8 mm |
| Screw thread | M3 |

classifications

eCl@ss

| | |
|-------------------|----------|
| eCl@ss 4.0 | 27371102 |
|-------------------|----------|

Relay Module - EMG 10-REL/KSR-120/21-LC - 2964445

classifications

eCl@ss

| | |
|------------|----------|
| eCl@ss 4.1 | 27371102 |
| eCl@ss 5.0 | 27371001 |
| eCl@ss 5.1 | 27371001 |
| eCl@ss 6.0 | 27371001 |
| eCl@ss 7.0 | 27371001 |
| eCl@ss 8.0 | 27371001 |

ETIM

| | |
|----------|----------|
| ETIM 2.0 | EC000196 |
| ETIM 3.0 | EC000196 |
| ETIM 4.0 | EC000196 |
| ETIM 5.0 | EC000196 |

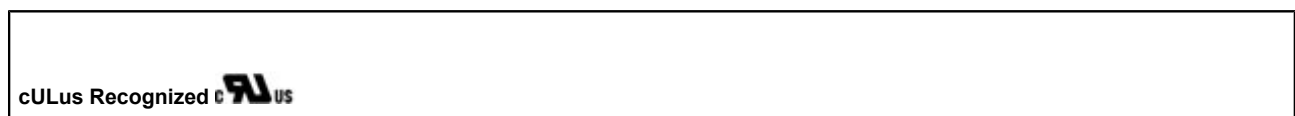
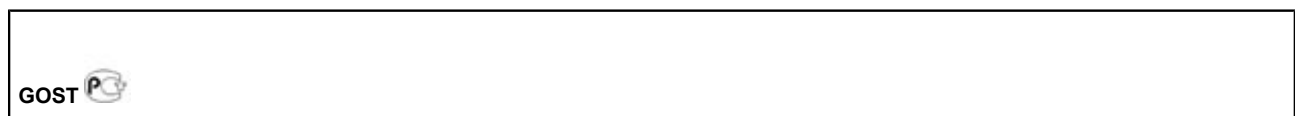
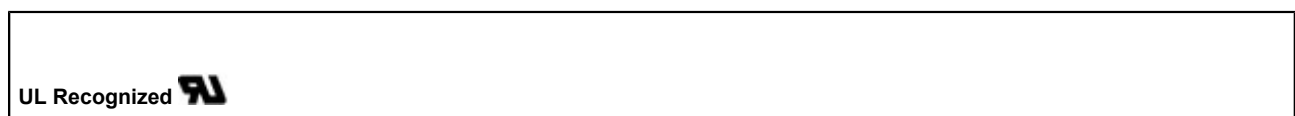
UNSPSC

| | |
|---------------|----------|
| UNSPSC 6.01 | 30211916 |
| UNSPSC 7.0901 | 39121515 |
| UNSPSC 11 | 39121515 |
| UNSPSC 12.01 | 39121515 |
| UNSPSC 13.2 | 39121515 |

approvals

UL Recognized / cUL Recognized / GOST / cULus Recognized /

Approval details



Relay Module - EMG 10-REL/KSR-120/21-LC - 2964445

accessories

EMG-SGKS 10 - 2947585



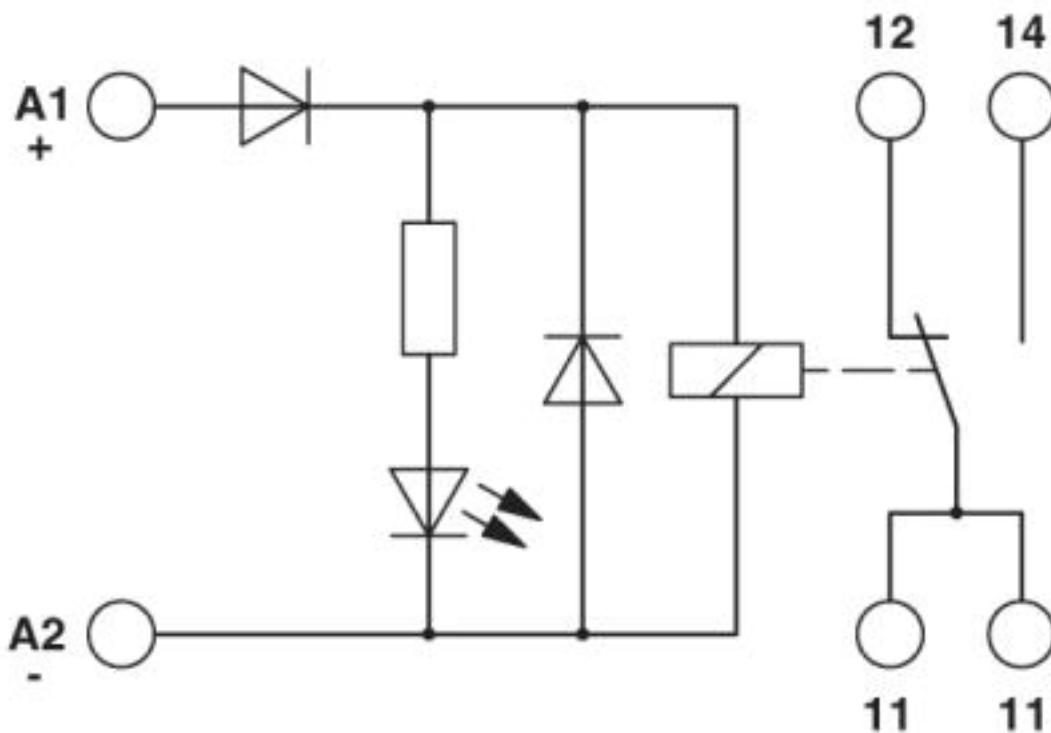
Drawings

Connection diagram



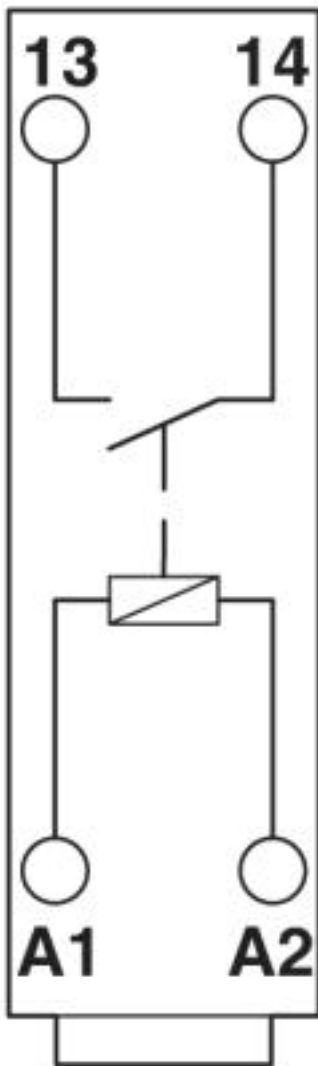
Relay Module - EMG 10-REL/KSR-120/21-LC - 2964445

Circuit diagram



Relay Module - EMG 10-REL/KSR-120/21-LC - 2964445

Circuit diagram



© Phoenix Contact 2013 - all rights reserved
<http://www.phoenixcontact.com>