

# Relay socket - PLC-BSC-120UC/21/SO46 - 2980319

Please be informed that the data shown in this PDF Document is generated from our Online Catalog. Please find the complete data in the user's documentation. Our General Terms of Use for Downloads are valid (<http://download.phoenixcontact.com>)



6.2 mm PLC basic terminal blocks with screw connection and integrated RCZ filter against interference currents and voltages on the control side, 120 V AC input voltage (without relay or optocoupler)

## Product Features

- Resistant to interference currents
- High relay release voltage



## Key commercial data

package_quantity	10
GTIN	4017918895709

## Technical data

Note:

Utilization restriction	EMC: class A product, see manufacturer's declaration in the download area
-------------------------	---

### Dimensions

Width	6.2 mm
Height	80 mm
Depth	94 mm

### Ambient conditions

Ambient temperature (operation)	-25 °C ... 55 °C
Ambient temperature (storage/transport)	-40 °C ... 85 °C

### Input data

Nominal input voltage $U_N$	120 V AC
Status display	LED
Protective circuit	Bridge rectifier Bridge rectifier
Protective circuit	RCZ filter RCZ filter

### Output data

Compatible components	Miniature relay, REL-MR-60DC/21AU, REL-MR-60DC/21; miniature optocoupler, OPT-60DC/48DC/100, OPT-60DC/24DC/2, OPT-60DC/230AC/1
-----------------------	--

# Relay socket - PLC-BSC-120UC/21/SO46 - 2980319

## Technical data

### Connection data

Conductor cross section solid min.	0.14 mm <sup>2</sup>
Conductor cross section solid max.	2.5 mm <sup>2</sup>
Conductor cross section stranded min.	0.14 mm <sup>2</sup>
Conductor cross section stranded max.	2.5 mm <sup>2</sup>
Conductor cross section AWG/kcmil min.	26
Conductor cross section AWG/kcmil max	14
Connection method	Screw connection
Stripping length	8 mm
Screw thread	M3

### General

Color	green
Operating mode	100% operating factor
Inflammability class according to UL 94	V0
Mounting position	Any
Assembly instructions	In rows with zero spacing

## classifications

### eCl@ss

eCl@ss 4.0	27371102
eCl@ss 4.1	27371102
eCl@ss 5.0	27371603
eCl@ss 5.1	27371603
eCl@ss 6.0	27371603
eCl@ss 7.0	27371603
eCl@ss 8.0	27371603

### ETIM

ETIM 2.0	EC001456
ETIM 3.0	EC001456
ETIM 4.0	EC001456
ETIM 5.0	EC001456

### UNSPSC

UNSPSC 6.01	30211917
UNSPSC 7.0901	39121516
UNSPSC 11	39121516
UNSPSC 12.01	39121516
UNSPSC 13.2	39121516

# Relay socket - PLC-BSC-120UC/21/SO46 - 2980319


## approvals

---

UL Recognized / cUL Recognized / GL / cULus Recognized /


---

### Approval details

UL Recognized 

cUL Recognized 

GL

cULus Recognized 

## accessories

### Mounting rail

NS 35/ 7,5 V2A UNPERF 2000MM - 0801377



NS 35/ 7,5 PERF 2000MM - 0801733



NS 35/ 7,5 CU UNPERF 2000MM - 0801762



## Relay socket - PLC-BSC-120UC/21/SO46 - 2980319

accessories

---

NS 35/15 UNPERF 2000MM - 1201714



NS 35/15 CU UNPERF 2000MM - 1201895



NS 35/15-2,3 UNPERF 2000MM - 1201798



NS 35/15 AL UNPERF 2000MM - 1201756



NS 35/15 PERF 2000MM - 1201730



## Relay socket - PLC-BSC-120UC/21/SO46 - 2980319

### accessories

NS 35/ 7,5 UNPERF 2000MM - 0801681



---

### Terminal marking

ZB 6:UNBEDRUCKT - 1051003



ZB 6/WH-100:UNBEDRUCKT - 5060935



---

### Labeled terminal marker

ZB 6,LGS:FORTL.ZAHLEN - 1051016



---

### Partition plate

PLC-ATP BK - 2966841



# Relay socket - PLC-BSC-120UC/21/SO46 - 2980319

accessories

## Power module

PLC-ESK GY - 2966508



---

## Screwdriver tools

SZF 1-0,6X3,5 - 1204517



---

## Controller board

PLC-V8/FLK14/IN - 2296553



PLC-V8/FLK14/IN/M - 2304115



PLC-V8/D15B/IN - 2296087



# Relay socket - PLC-BSC-120UC/21/SO46 - 2980319

accessories

## Interface module

PLC-V8/D15S/IN - 2296074



---

## Bridge

FBST 500-PLC RD - 2966786



---

FBST 500-PLC BU - 2966692



---

FBST 500-PLC GY - 2966838



---

FBST 6-PLC RD - 2966236



# Relay socket - PLC-BSC-120UC/21/SO46 - 2980319

## accessories

FBST 6-PLC BU - 2966812



FBST 6-PLC GY - 2966825

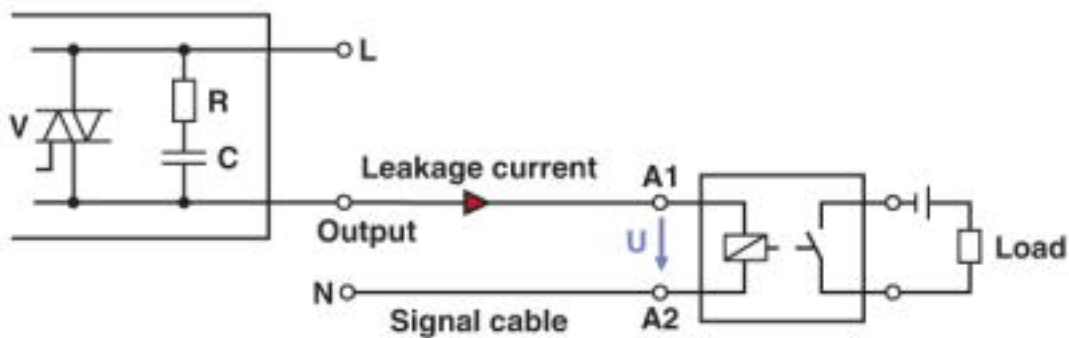


FBST 8-PLC GY - 2967688



## Drawings

### Application drawing

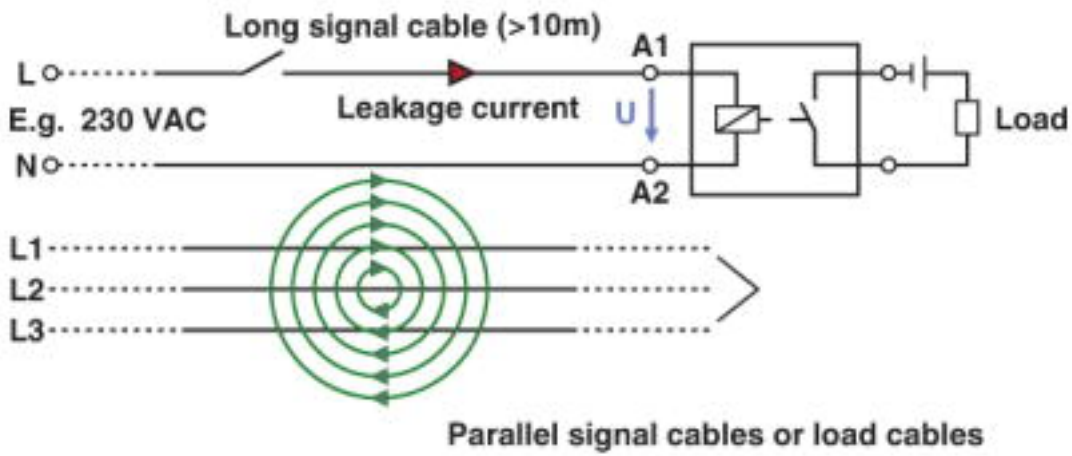


Occurrence of interference signalsScenario 1: controller - AC output card



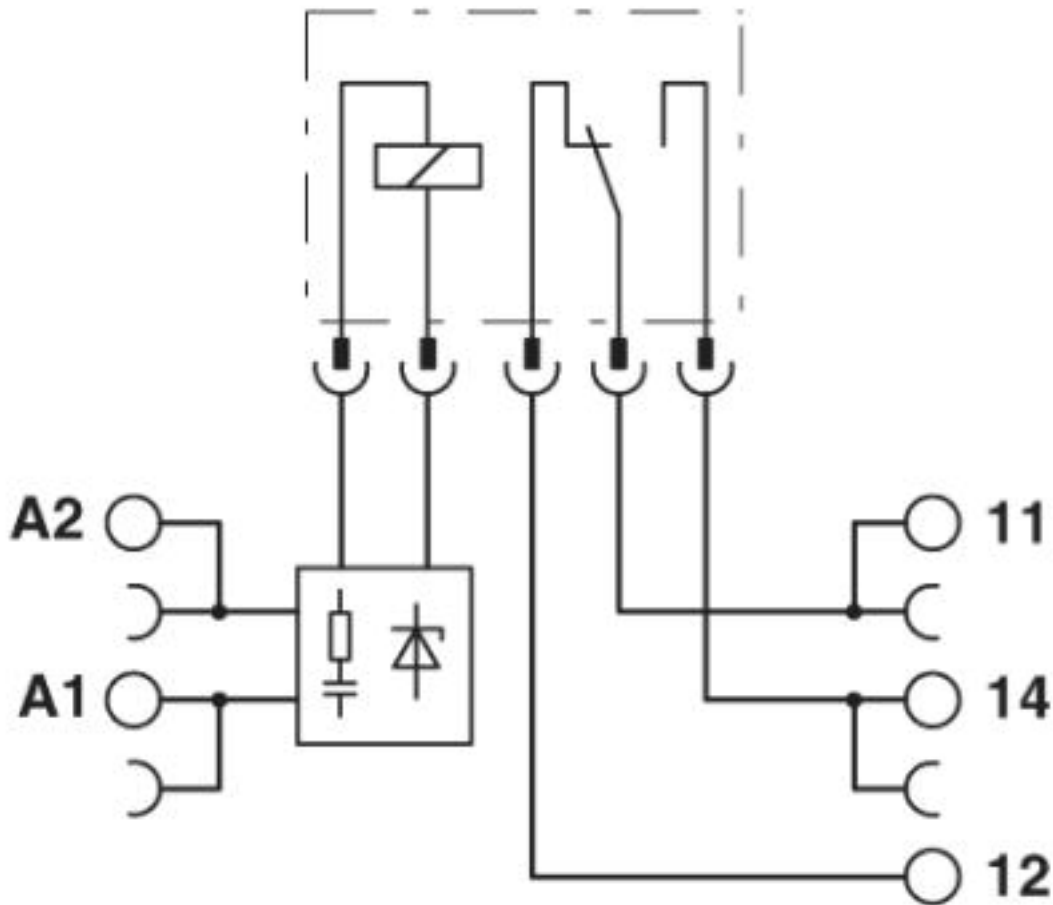
# Relay socket - PLC-BSC-120UC/21/SO46 - 2980319

Application drawing



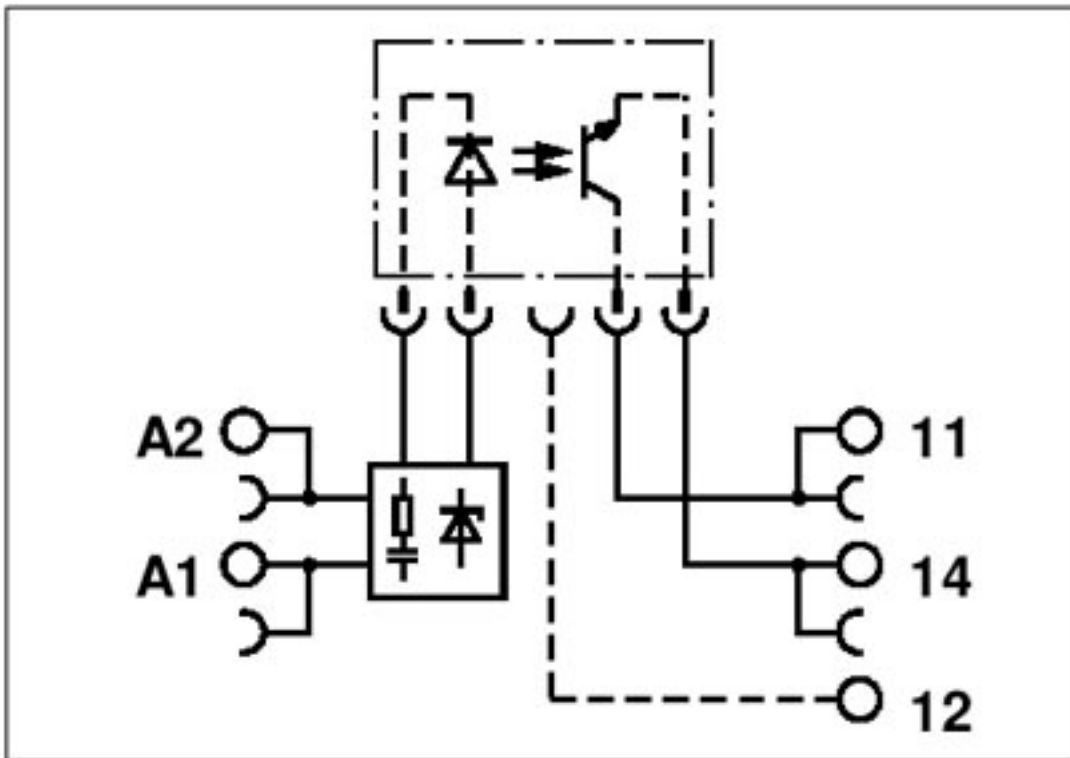
Occurrence of interference signals Scenario 2: long signal cables

Circuit diagram



# Relay socket - PLC-BSC-120UC/21/SO46 - 2980319

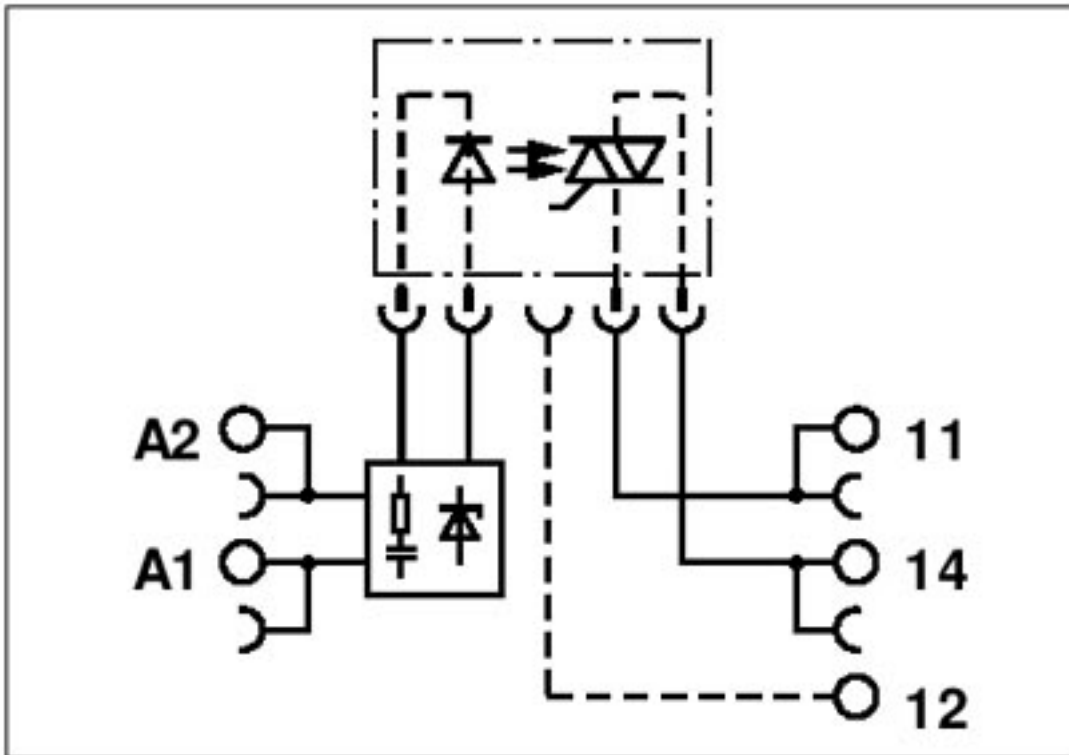
Circuit diagram



DC output

# Relay socket - PLC-BSC-120UC/21/SO46 - 2980319

Circuit diagram



AC output

© Phoenix Contact 2013 - all rights reserved  
<http://www.phoenixcontact.com>