


No.	Function Method	Performance Principle (S: transmitter R: receiver)	Applications
-----	-----------------	---	--------------

4	Measurement of direct propagation time	 <p>The diagram illustrates the measurement of direct propagation time. It shows an input signal (a vertical bar with internal lines) entering a system box containing a transmitter (S) and a receiver (R). The signal then passes through a lens-like component, and the output signal is shown as a vertical bar with internal lines. The time delay between the input and output signals is labeled as T.</p>	Densitometers Flowmeters
---	--	--	-----------------------------

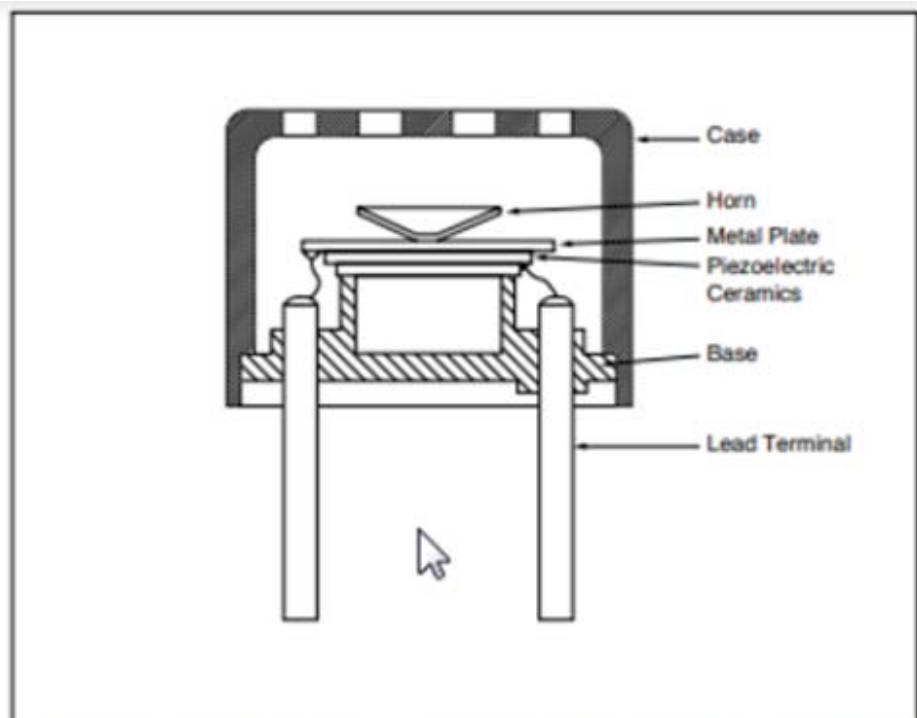


Fig.2 Construction of Open Structure Type Ultrasonic Sensor

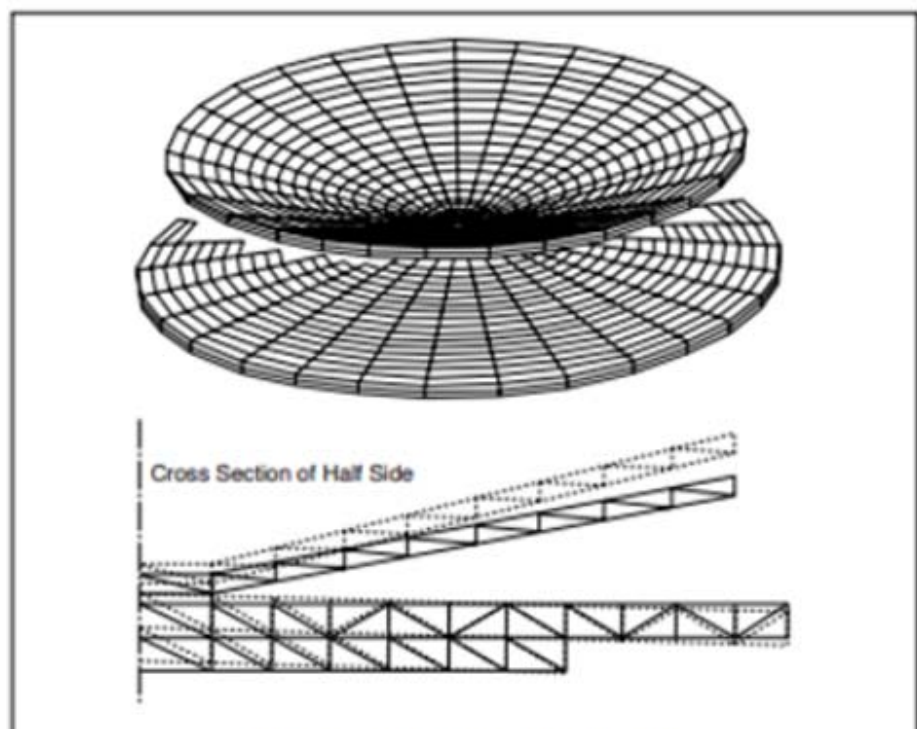


Fig.3 Simulation of Vibration