

Immersion Probe Type 06 Pt 100

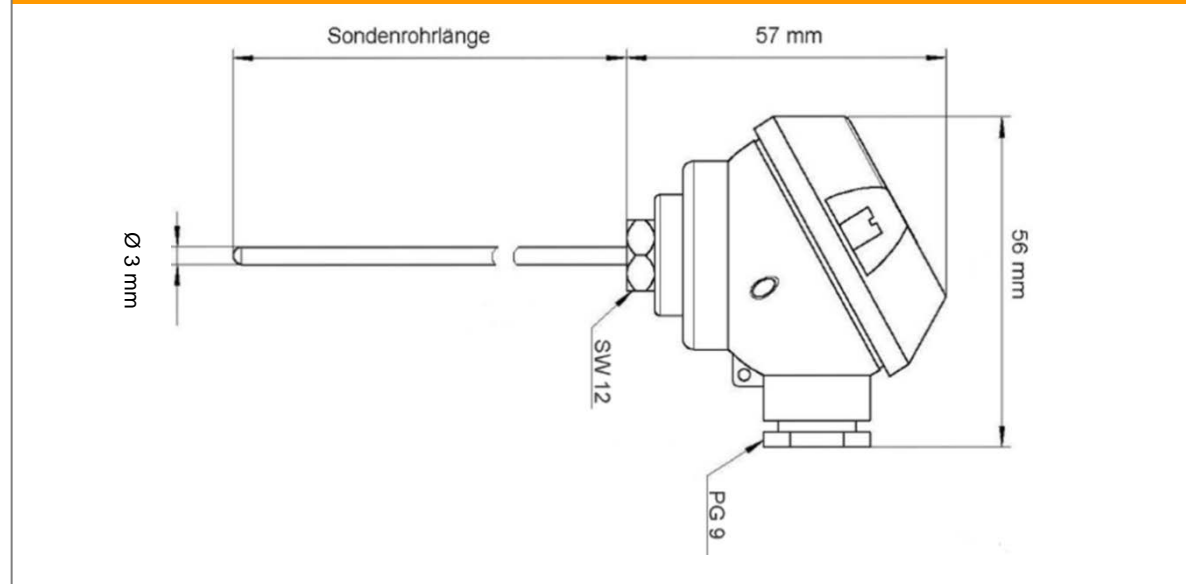
Product-Data

Sensor element:	Pt 100 Class B
Temperature range:	-50...+400 °C
Installation length:	100 mm
Diameter Installation length:	3 mm
Probe tube material:	Stainless steel 1.4571 / 1.4403
Tmax connecting head	+80 °C
Connecting head	Aluminium diecast
Ingress protection EN 60529:	IP 54
Accuracy:	Class B DIN IEC 60751 +/- 0.3 °C

Order-Information

TSG-Order-Number:	8006 1508
Conrd-Order-Number:	50 77 79-XX

Dimensions



Picture

example of installation

