

Relay socket - PLC-BSC-230UC/ 1/SEN/SO46 - 2980348

Please be informed that the data shown in this PDF Document is generated from our Online Catalog. Please find the complete data in the user's documentation. Our General Terms of Use for Downloads are valid (<http://download.phoenixcontact.com>)



6.2 mm PLC sensor basic terminal block with RCZ filter against interference currents and voltages on the control side, with sensor supply voltage distribution (BB), screw connection, 230 V AC input voltage (without relay or solid-state relay)

The figure shows 120 UC version with a screw connection

Product Features

- Resistant to interference currents
- High relay release voltage



Key commercial data

package_quantity	10
GTIN	4017918895693

Technical data

Note:

Utilization restriction	EMC: class A product, see manufacturer's declaration in the download area
-------------------------	---

Dimensions

Width	6.2 mm
Height	80 mm
Depth	94 mm

Ambient conditions

Ambient temperature (operation)	-25 °C ... 55 °C
Ambient temperature (storage/transport)	-40 °C ... 85 °C

Input data

Nominal input voltage U_N	230 V AC
Status display	LED
Protective circuit	Bridge rectifier Bridge rectifier
Protective circuit	RCZ filter RCZ filter

Output data

Relay socket - PLC-BSC-230UC/ 1/SEN/SO46 - 2980348

Technical data

Output data

Compatible components	Miniature relay, REL-MR-60DC/21AU, REL-MR-60DC/21; miniature optocoupler, OPT-60DC/48DC/100, OPT-60DC/24DC/2, OPT-60DC/230AC/1
------------------------------	--

Connection data

Conductor cross section solid min.	0.14 mm ²
Conductor cross section solid max.	2.5 mm ²
Conductor cross section stranded min.	0.14 mm ²
Conductor cross section stranded max.	2.5 mm ²
Conductor cross section AWG/kcmil min.	26
Conductor cross section AWG/kcmil max	14
Connection method	Screw connection
Stripping length	8 mm
Screw thread	M3

General

Color	green
Inflammability class according to UL 94	V0
Mounting position	Any
Assembly instructions	In rows with zero spacing

classifications

eCl@ss

eCl@ss 4.0	27371102
eCl@ss 4.1	27371102
eCl@ss 5.0	27371603
eCl@ss 5.1	27371603
eCl@ss 6.0	27371603
eCl@ss 7.0	27371603
eCl@ss 8.0	27371603

ETIM

ETIM 2.0	EC001456
ETIM 3.0	EC001456
ETIM 4.0	EC001456
ETIM 5.0	EC001456

UNSPSC

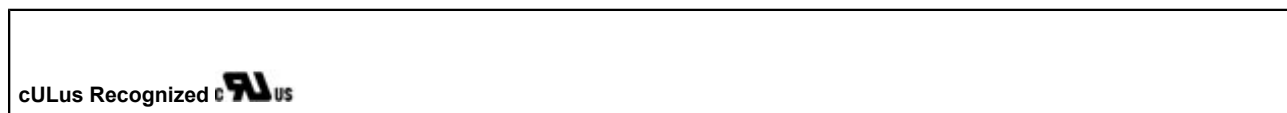
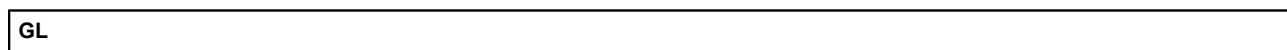
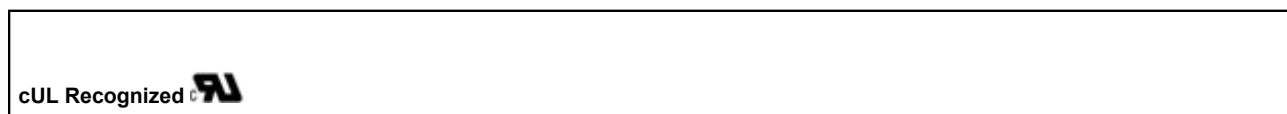
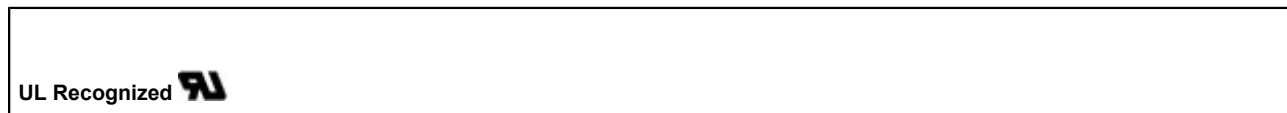
UNSPSC 6.01	30211917
UNSPSC 7.0901	39121516
UNSPSC 11	39121516
UNSPSC 12.01	39121516
UNSPSC 13.2	39121516

Relay socket - PLC-BSC-230UC/ 1/SEN/SO46 - 2980348

approvals

UL Recognized / cUL Recognized / GL / cULus Recognized /

Approval details



accessories

Mounting rail

NS 35/ 7,5 V2A UNPERF 2000MM - 0801377



NS 35/ 7,5 PERF 2000MM - 0801733



NS 35/ 7,5 CU UNPERF 2000MM - 0801762



Relay socket - PLC-BSC-230UC/ 1/SEN/SO46 - 2980348

accessories

NS 35/15 UNPERF 2000MM - 1201714



NS 35/15 CU UNPERF 2000MM - 1201895



NS 35/15-2,3 UNPERF 2000MM - 1201798



NS 35/15 AL UNPERF 2000MM - 1201756



NS 35/15 PERF 2000MM - 1201730



Relay socket - PLC-BSC-230UC/ 1/SEN/SO46 - 2980348

accessories

NS 35/ 7,5 UNPERF 2000MM - 0801681



Terminal marking

ZB 6:UNBEDRUCKT - 1051003



ZB 6/WH-100:UNBEDRUCKT - 5060935



Labeled terminal marker

ZB 6,LGS:FORTL.ZAHLEN - 1051016



Partition plate

PLC-ATP BK - 2966841



Relay socket - PLC-BSC-230UC/ 1/SEN/SO46 - 2980348

accessories

Power module

PLC-ESK GY - 2966508



Screwdriver tools

SZF 1-0,6X3,5 - 1204517



Controller board

PLC-V8/FLK14/IN - 2296553



PLC-V8/FLK14/IN/M - 2304115



PLC-V8/D15B/IN - 2296087



Relay socket - PLC-BSC-230UC/ 1/SEN/SO46 - 2980348

accessories

Interface module

PLC-V8/D15S/IN - 2296074



Bridge

FBST 500-PLC RD - 2966786



FBST 500-PLC BU - 2966692



FBST 500-PLC GY - 2966838



FBST 6-PLC RD - 2966236



Relay socket - PLC-BSC-230UC/ 1/SEN/SO46 - 2980348

accessories

FBST 6-PLC BU - 2966812



FBST 6-PLC GY - 2966825

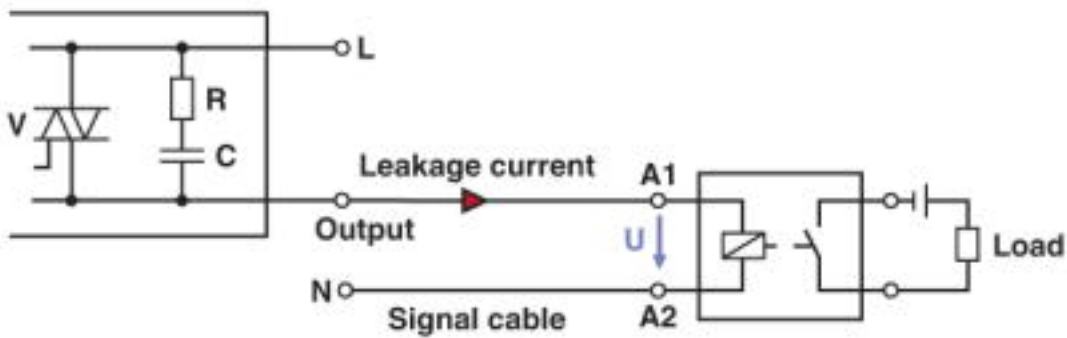


FBST 8-PLC GY - 2967688



Drawings

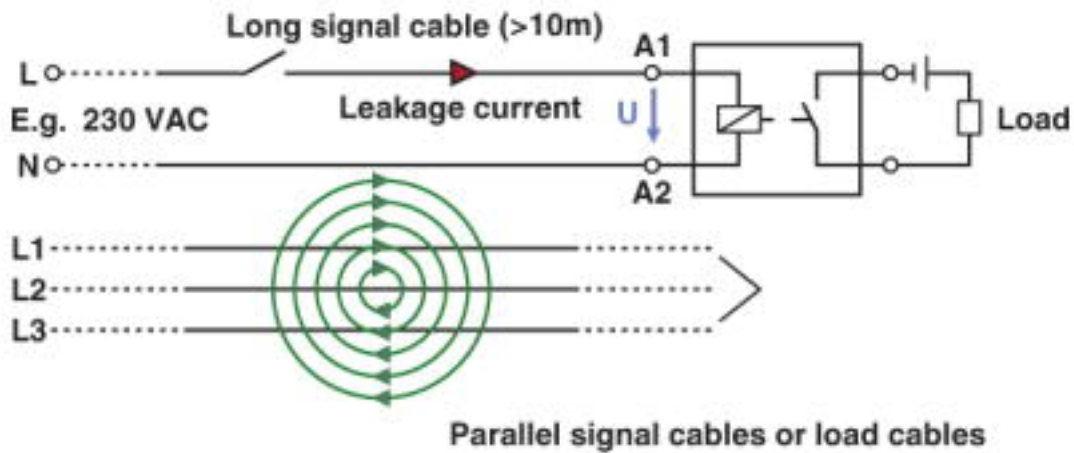
Application drawing



Occurrence of interference signals Scenario 1: controller - AC output card

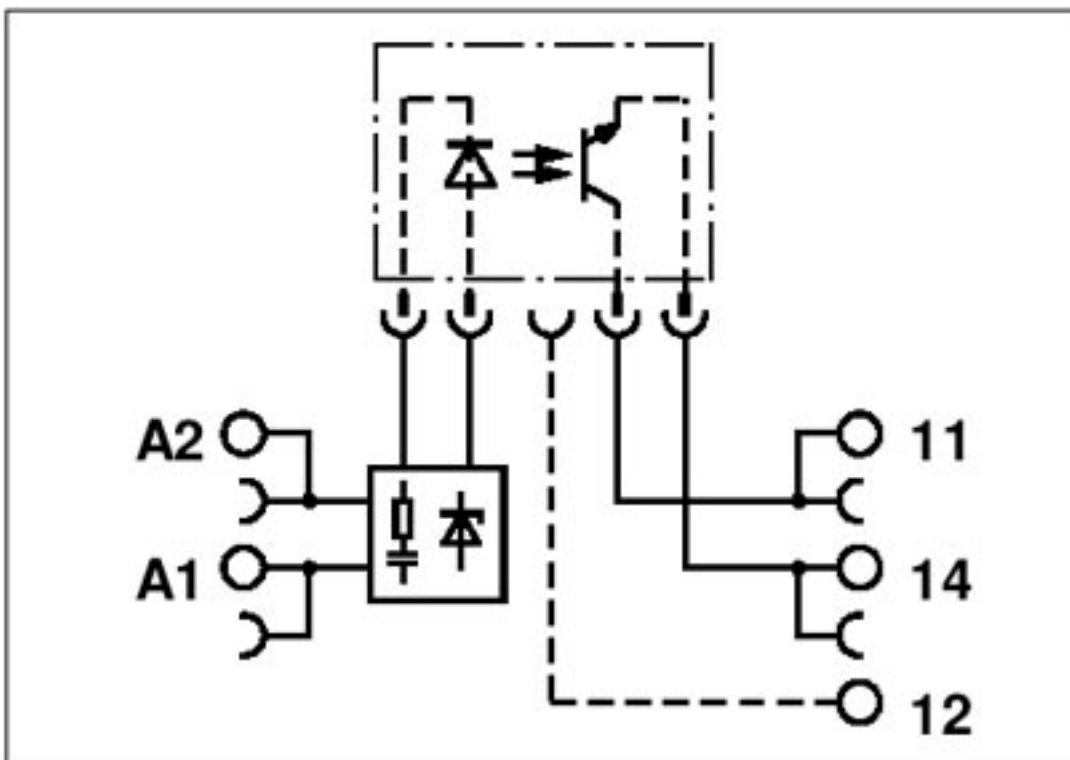
Relay socket - PLC-BSC-230UC/ 1/SEN/SO46 - 2980348

Application drawing



Occurrence of interference signals Scenario 2: long signal cables

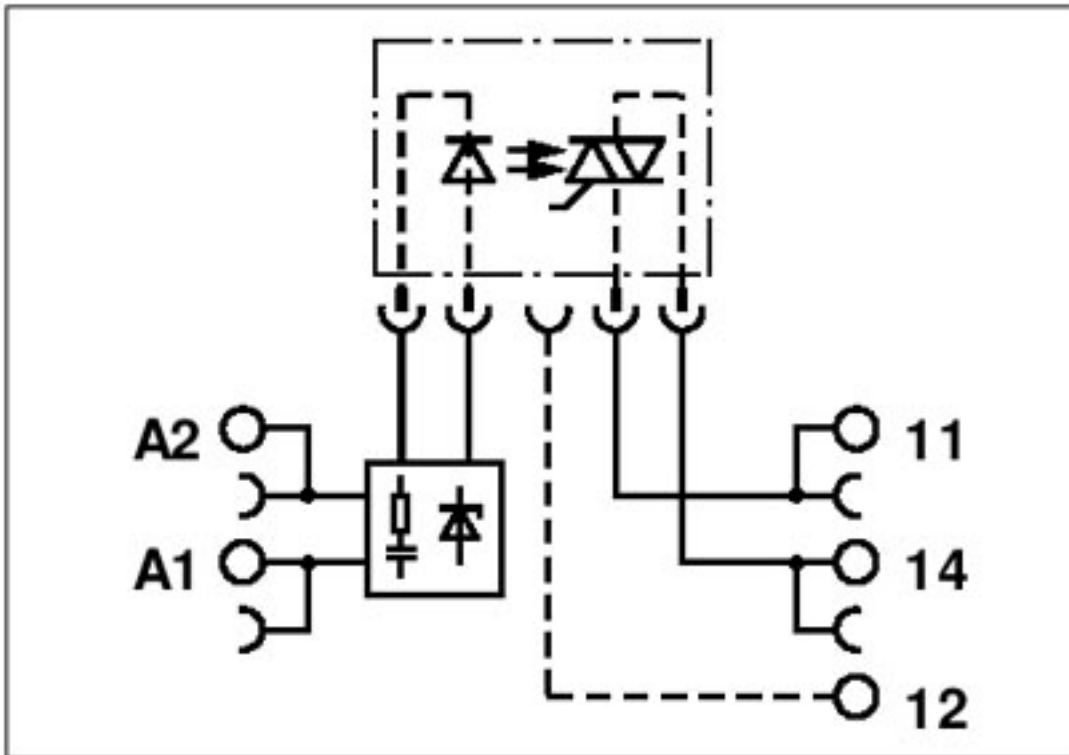
Circuit diagram



DC output

Relay socket - PLC-BSC-230UC/ 1/SEN/SO46 - 2980348

Circuit diagram



AC output

Relay socket - PLC-BSC-230UC/ 1/SEN/SO46 - 2980348

Circuit diagram

