

Relay socket - PLC-BPT- 24UC/ 1/ACT - 2900450

Please be informed that the data shown in this PDF Document is generated from our Online Catalog. Please find the complete data in the user's documentation. Our General Terms of Use for Downloads are valid (<http://download.phoenixcontact.com>)



6.2 mm PLC actuator basic terminal block with load return line connection (BB), Push-in connection, 24 V AC/DC input voltage, without relay or solid-state relay. Note: if fitted with a PDT relay, only the N/O contact is led out.

The figure shows a version with a screw connection

Product Features

- ☑ PLC actuator series with solid-state power relays for coupling the controller and actuators, such as motors, contactors, valves, etc.



Key commercial data

package_quantity	10
GTIN	4046356512381

Technical data

Note:

Utilization restriction	EMC: class A product, see manufacturer's declaration in the download area
-------------------------	---

Dimensions

Width	6.2 mm
Height	80 mm
Depth	94 mm

Ambient conditions

Ambient temperature (operation)	-20 °C ... 60 °C
Ambient temperature (storage/transport)	-40 °C ... 85 °C

Input data

Rated control supply voltage U_s	24 V AC/DC
Voltage range with reference to U_s	0.8 ... 1.2
Rated control supply voltage U_s	24 V AC/DC
Voltage range with reference to U_s	0.8 ... 1.2
Nominal input voltage U_N	24 V AC/DC

Output data

Relay socket - PLC-BPT- 24UC/ 1/ACT - 2900450

Technical data

Output data

Compatible components	Miniature relay, REL-MR-24DC/21, REL-MR-24DC/21AU; miniature optocoupler, OPT-24DC/24DC/2, OPT-24DC/48DC/100, OPT-24DC/230AC/1
------------------------------	--

Connection data

Conductor cross section solid min.	0.14 mm ²
Conductor cross section solid max.	2.5 mm ²
Conductor cross section stranded min.	0.14 mm ²
Conductor cross section stranded max.	2.5 mm ²
Conductor cross section AWG/kcmil min.	26
Conductor cross section AWG/kcmil max	14
Connection method	Push-in connection
Stripping length	8 mm

General

Color	green
Operating mode	100% operating factor
Inflammability class according to UL 94	V0
Mounting position	Any
Assembly instructions	In rows with zero spacing

classifications

eCl@ss

eCl@ss 4.0	27371001
eCl@ss 4.1	27371001
eCl@ss 5.0	27371603
eCl@ss 5.1	27371603
eCl@ss 6.0	27371603
eCl@ss 7.0	27371603
eCl@ss 8.0	27371603

ETIM

ETIM 4.0	EC001456
ETIM 5.0	EC001456

UNSPSC

UNSPSC 6.01	30211917
UNSPSC 7.0901	39121516
UNSPSC 11	39121516
UNSPSC 12.01	39121516
UNSPSC 13.2	39121516

Relay socket - PLC-BPT- 24UC/ 1/ACT - 2900450

approvals

GL / UL Recognized / cUL Recognized / cULus Recognized /

Approval details

GL

UL Recognized

cUL Recognized

cULus Recognized

accessories

Mounting rail

NS 35/ 7,5 V2A UNPERF 2000MM - 0801377



NS 35/ 7,5 PERF 2000MM - 0801733



NS 35/ 7,5 CU UNPERF 2000MM - 0801762



Relay socket - PLC-BPT- 24UC/ 1/ACT - 2900450

accessories

NS 35/15 UNPERF 2000MM - 1201714



NS 35/15 CU UNPERF 2000MM - 1201895



NS 35/15-2,3 UNPERF 2000MM - 1201798



NS 35/15 AL UNPERF 2000MM - 1201756



NS 35/15 PERF 2000MM - 1201730



Relay socket - PLC-BPT- 24UC/ 1/ACT - 2900450

accessories

NS 35/ 7,5 UNPERF 2000MM - 0801681



Terminal marking

ZB 6:UNBEDRUCKT - 1051003



ZB 6/WH-100:UNBEDRUCKT - 5060935



Labeled terminal marker

ZB 6,LGS:FORTL.ZAHLEN - 1051016



Partition plate

PLC-ATP BK - 2966841



Relay socket - PLC-BPT- 24UC/ 1/ACT - 2900450

accessories

Power module

PLC-ESK GY - 2966508



Screwdriver tools

SZF 1-0,6X3,5 - 1204517



Bridge

FBST 500-PLC RD - 2966786



FBST 500-PLC BU - 2966692



FBST 500-PLC GY - 2966838



Relay socket - PLC-BPT- 24UC/ 1/ACT - 2900450

accessories

FBST 6-PLC RD - 2966236



FBST 6-PLC BU - 2966812



FBST 6-PLC GY - 2966825



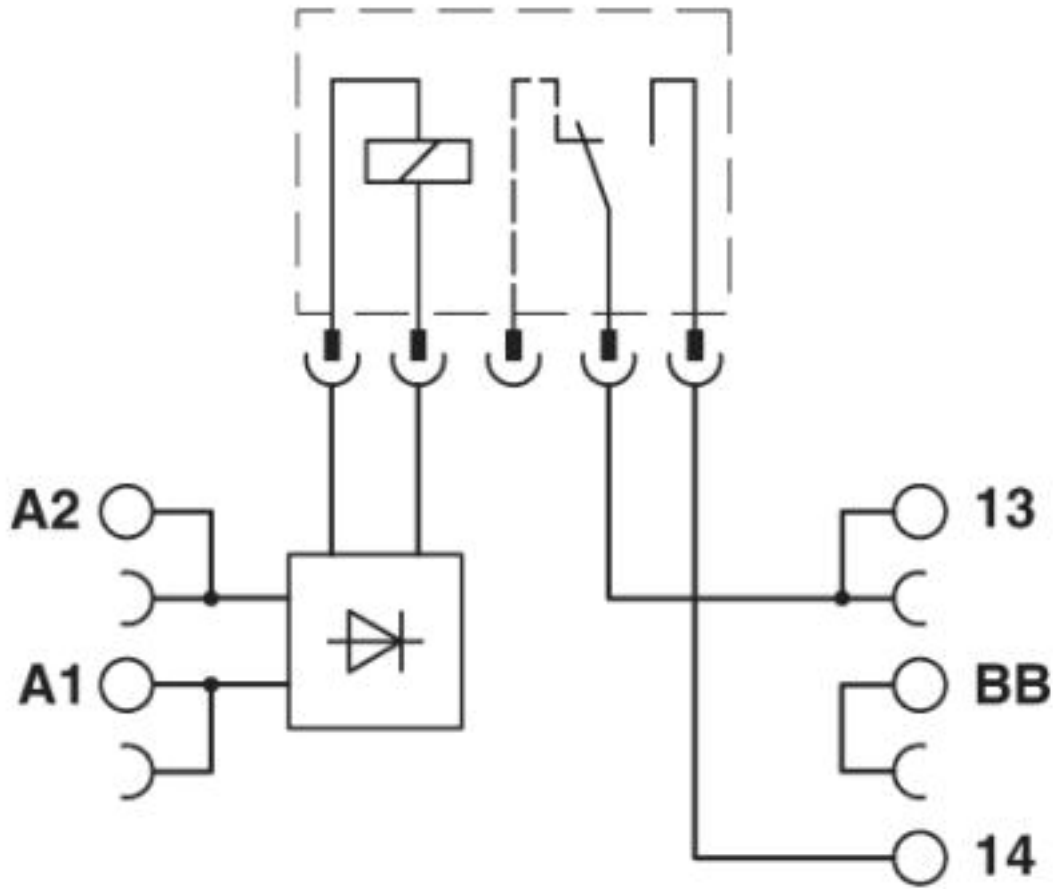
FBST 8-PLC GY - 2967688



Drawings

Relay socket - PLC-BPT- 24UC/ 1/ACT - 2900450

Circuit diagram



Circuit diagram

