

Relay connectors - ST-REL2-KG230AC/1 - 2826525

Please be informed that the data shown in this PDF Document is generated from our Online Catalog. Please find the complete data in the user's documentation. Our General Terms of Use for Downloads are valid (<http://download.phoenixcontact.com>)



Relay connector, fitted with miniature switching relay, contacts (AgNi): Medium to large loads, 1 N/O contact, 230 V AC input voltage, with light indicator, can be plugged into basic terminal blocks

The illustration shows version ST-REL 2-KG 24/1

Key commercial data

package_quantity	10
GTIN	4017918077990

Technical data

Dimensions

Width	14.6 mm
Height	33 mm
Depth	66.5 mm

Ambient conditions

Ambient temperature (operation)	-20 °C ... 50 °C
Ambient temperature (storage/transport)	-20 °C ... 70 °C

Coil side

Nominal input voltage U_N	230 V AC
Input voltage range in reference to U_N	0.8 ... 1.06
Nominal input current at U_{IN}	5 mA
Typical response time	4 ms ... 10 ms (with AC)
Typical release time range	4 ms ... 10 ms (with AC)
Operating voltage display	Yes
Protective circuit	Bridge rectifier, varistor

Contact side

Contact type	Single contact, 1 N/O contact
Contact material	AgNi
Maximum switching voltage	250 V AC/DC
Maximum inrush current	8 A
Limiting continuous current	6 A
Interrupting rating (ohmic load) max.	95 W (at 24 V DC)
Interrupting rating (ohmic load) max.	50 W (at 48 V DC)

Relay connectors - ST-REL2-KG230AC/1 - 2826525

Technical data

Contact side

Interrupting rating (ohmic load) max.	45 W (at 60 V DC)
Interrupting rating (ohmic load) max.	45 W (at 110 V DC)
Interrupting rating (ohmic load) max.	75 W (at 220 V DC)
Interrupting rating (ohmic load) max.	1500 VA (for 250 V AC)

General

Test voltage relay winding/relay contact	2.5 kV AC (50 Hz, 1 min.)
Operating mode	100% operating factor
Mechanical service life	Approx. 2×10^7 cycles
Standards/regulations	DIN VDE 0110b, Gr. C for 250 V DC
Standards/regulations	IEC 60255/DIN VDE 0435 (in relevant parts)
Standards/regulations	DIN EN 50178/DIN VDE 0160 (in relevant parts)
Standards/regulations	EN 60730/DIN VDE 0631
Standards/regulations	DIN VDE 0160 (in relevant parts)

classifications

eCl@ss

eCl@ss 4.0	27371104
eCl@ss 4.1	27371104
eCl@ss 5.0	27371001
eCl@ss 5.1	27371001
eCl@ss 6.0	27371001
eCl@ss 7.0	27371001
eCl@ss 8.0	27371001

ETIM

ETIM 2.0	EC000196
ETIM 3.0	EC000196
ETIM 4.0	EC000196
ETIM 5.0	EC000196

UNSPSC

UNSPSC 6.01	30211916
UNSPSC 7.0901	39121515
UNSPSC 11	39121515
UNSPSC 12.01	39121515
UNSPSC 13.2	39121515

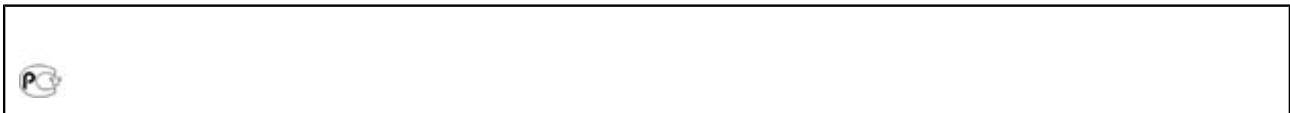
approvals

GOST / GOST /

Relay connectors - ST-REL2-KG230AC/1 - 2826525

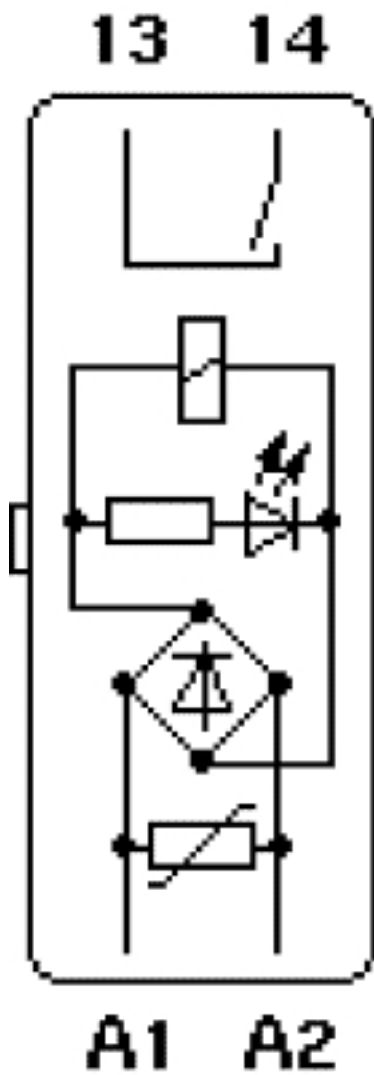
approvals

Approval details



Drawings

Circuit diagram





© Phoenix Contact 2013 - all rights reserved
<http://www.phoenixcontact.com>