

# System connection - PLC-V8/D15B/OUT - 2296061

Please be informed that the data shown in this PDF Document is generated from our Online Catalog. Please find the complete data in the user's documentation. Our General Terms of Use for Downloads are valid (<http://download.phoenixcontact.com>)



V8-OUTPUT adapter for eight 6.2 mm PLC interfaces (1 PDT, etc./see "Additional Products"). 15-pin D-SUB female connector, control logic: Positive switching

The illustration shows version PLC-V8/D15S/OUT

## Key commercial data

package_quantity	1
GTIN	4017918189112

## Technical data

### Dimensions

Width	49.6 mm
Height	100 mm
Depth	94 mm

### Ambient conditions

Ambient temperature (operation)	-40 °C ... 70 °C
Ambient temperature (storage/transport)	-40 °C ... 70 °C

### General

Nominal voltage $U_N$	24 V DC $\pm$ 25%
Max. current carrying capacity per branch	1 A (per signal path)
Max. total current of voltage supply	3 A
Number of positions	15
Status display	Green LED
Test voltage	500 V (50 Hz, 1 min.)
Mounting position	Any
Standards/regulations	IEC 60664
Standards/regulations	DIN EN 50178
Standards/regulations	IEC 62103
Inflammability class according to UL 94	V0
Pollution degree	2
Surge voltage category	III
Rated surge voltage	0.8 kV

### Connection data for connection 1

# System connection - PLC-V8/D15B/OUT - 2296061

## Technical data

### Connection data for connection 1

Connection name	Power supply
Connection in acc. with standard	IEC / EN
Number of connections	1
Connection method	Screw connection
Conductor cross section solid min.	0.2 mm <sup>2</sup>
Conductor cross section solid max.	4 mm <sup>2</sup>
Conductor cross section stranded min.	0.2 mm <sup>2</sup>
Conductor cross section stranded max.	2.5 mm <sup>2</sup>
Conductor cross section AWG/kcmil min.	24
Conductor cross section AWG/kcmil max	12
Stripping length	8 mm
Screw thread	M3

### Connection data for connection 2

Connection name	Signal level
Number of connections	1
Connection method	D-SUB socket strip
Number of positions	15

### Supported controller

Control	HONEYWELL C300
- suitable I/O card	TDOB01 (non-redundant)
- suitable I/O card	TDOB11 (redundant)

## classifications

### eCl@ss

eCl@ss 4.0	27250313
eCl@ss 4.1	27250313
eCl@ss 5.0	27250313
eCl@ss 5.1	27250313
eCl@ss 6.0	27242208
eCl@ss 7.0	27242208
eCl@ss 8.0	27242208

### ETIM

ETIM 2.0	EC001423
ETIM 3.0	EC001423
ETIM 4.0	EC001423
ETIM 5.0	EC001423

### UNSPSC

UNSPSC 6.01	30211824
UNSPSC 7.0901	39121402

# System connection - PLC-V8/D15B/OUT - 2296061

## classifications

### UNSPSC

UNSPSC 11	39121402
UNSPSC 12.01	39121402
UNSPSC 13.2	39121402

## approvals

UL Recognized / UL Listed / cUL Recognized / GOST / cUL Listed / GL / cULus Recognized / cULus Listed /

### Approval details

UL Recognized

UL Listed

cUL Recognized

GOST

cUL Listed

GL

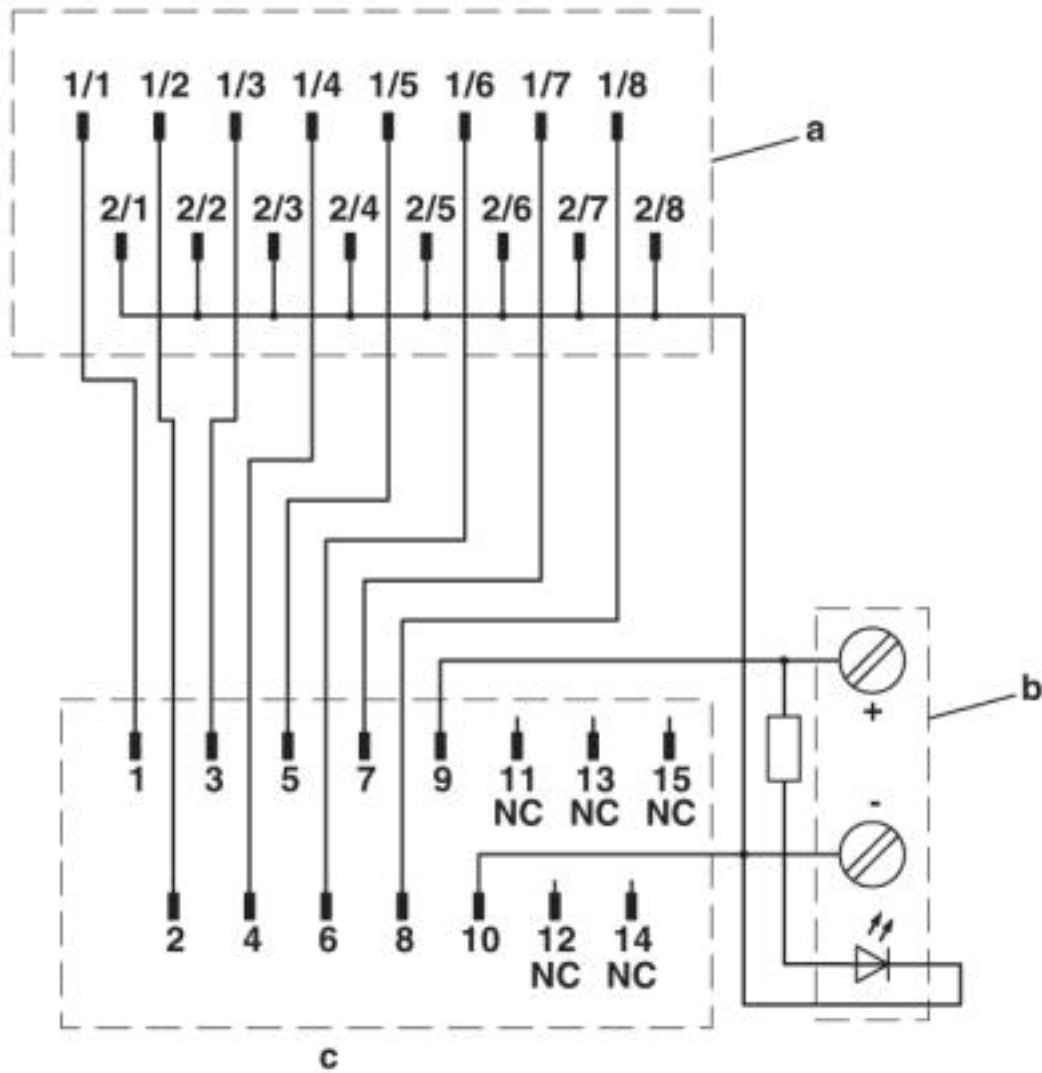
cULus Recognized

cULus Listed

## Drawings

# System connection - PLC-V8/D15B/OUT - 2296061

Circuit diagram



a = contacting with PLC terminal blocks  
b = power terminal block  
c = D-SUB strip 15-pos.

© Phoenix Contact 2013 - all rights reserved  
<http://www.phoenixcontact.com>