

Relay socket - PLC-BSC-230UC/21HC/SO46 - 2980445

Please be informed that the data shown in this PDF Document is generated from our Online Catalog. Please find the complete data in the user's documentation. Our General Terms of Use for Downloads are valid (<http://download.phoenixcontact.com>)



14 mm PLC-HC basic terminal blocks with screw connection and integrated RCZ filter against interference currents and voltages on the control side, 230 V AC input voltage (without relay or optocoupler)

Product Features

- High relay release voltage
- Resistant to interference currents



Key commercial data

package_quantity	10
GTIN	4017918921248

Technical data

Note:

Utilization restriction	EMC: class A product, see manufacturer's declaration in the download area
-------------------------	---

Dimensions

Width	14 mm
Height	80 mm
Depth	94 mm

Ambient conditions

Ambient temperature (operation)	-25 °C ... 55 °C
Ambient temperature (storage/transport)	-40 °C ... 85 °C

Input data

Nominal input voltage U_N	230 V AC
Input voltage range in reference to U_N	0.78 ... 1.14 (at 20 °C)
Release voltage	typ. 70 V AC
Typical input current at U_N	8.8 mA (50 Hz)
Typical input current at U_N	10 mA (60 Hz)
Typical response time	7 ms
Typical release time	20 ms
Status display	LED

Relay socket - PLC-BSC-230UC/21HC/SO46 - 2980445

Technical data

Input data

Protective circuit	Bridge rectifier Bridge rectifier
Protective circuit	RCZ filter RCZ filter

Output data

Compatible components	Miniature relay, REL-MR-110DC/21HC
-----------------------	------------------------------------

Connection data

Conductor cross section solid min.	0.14 mm ²
Conductor cross section solid max.	2.5 mm ²
Conductor cross section stranded min.	0.14 mm ²
Conductor cross section stranded max.	2.5 mm ²
Conductor cross section AWG/kcmil min.	26
Conductor cross section AWG/kcmil max	14
Connection method	Screw connection
Stripping length	8 mm
Screw thread	M3

General

Color	green
Operating mode	100% operating factor
Inflammability class according to UL 94	V0
Mounting position	Any
Assembly instructions	In rows with zero spacing

classifications

eCl@ss

eCl@ss 4.0	27371102
eCl@ss 4.1	27371102
eCl@ss 5.0	27371603
eCl@ss 5.1	27371603
eCl@ss 6.0	27371603
eCl@ss 7.0	27371603
eCl@ss 8.0	27371603

ETIM

ETIM 2.0	EC001456
ETIM 3.0	EC001456
ETIM 4.0	EC001456
ETIM 5.0	EC001456

UNSPSC

UNSPSC 6.01	30211917
UNSPSC 7.0901	39121516

Relay socket - PLC-BSC-230UC/21HC/SO46 - 2980445

classifications

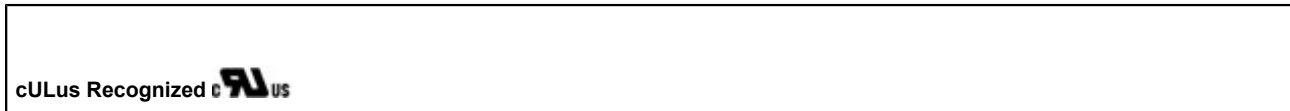
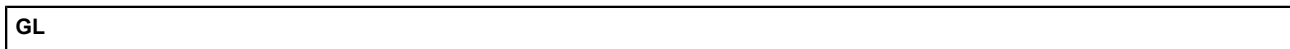
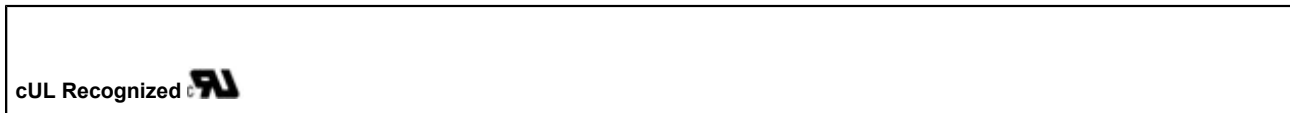
UNSPSC

UNSPSC 11	39121516
UNSPSC 12.01	39121516
UNSPSC 13.2	39121516

approvals

UL Recognized / cUL Recognized / GL / cULus Recognized /

Approval details



accessories

Mounting rail

NS 35/ 7,5 V2A UNPERF 2000MM - 0801377



NS 35/ 7,5 PERF 2000MM - 0801733



Relay socket - PLC-BSC-230UC/21HC/SO46 - 2980445

accessories

NS 35/ 7,5 CU UNPERF 2000MM - 0801762



NS 35/15 UNPERF 2000MM - 1201714



NS 35/15 CU UNPERF 2000MM - 1201895



NS 35/15-2,3 UNPERF 2000MM - 1201798



NS 35/15 AL UNPERF 2000MM - 1201756



NS 35/15 PERF 2000MM - 1201730



Relay socket - PLC-BSC-230UC/21HC/SO46 - 2980445

accessories

NS 35/ 7,5 UNPERF 2000MM - 0801681



Terminal marking

ZB10/WH-100:UNBEDRUCKT - 5060883



ZB 10:UNBEDRUCKT - 1053001



Labeled terminal marker

ZB10,LGS:FORTL.ZAHLEN - 1053014



Partition plate

PLC-ATP BK - 2966841



Relay socket - PLC-BSC-230UC/21HC/SO46 - 2980445

accessories

Power module

PLC-ESK GY - 2966508



Screwdriver tools

SZF 1-0,6X3,5 - 1204517



Bridge

FBST 500-PLC RD - 2966786



FBST 500-PLC BU - 2966692



FBST 500-PLC GY - 2966838



Relay socket - PLC-BSC-230UC/21HC/SO46 - 2980445

accessories

FBST 6-PLC RD - 2966236



FBST 6-PLC BU - 2966812



FBST 6-PLC GY - 2966825



FBST 8-PLC GY - 2967688



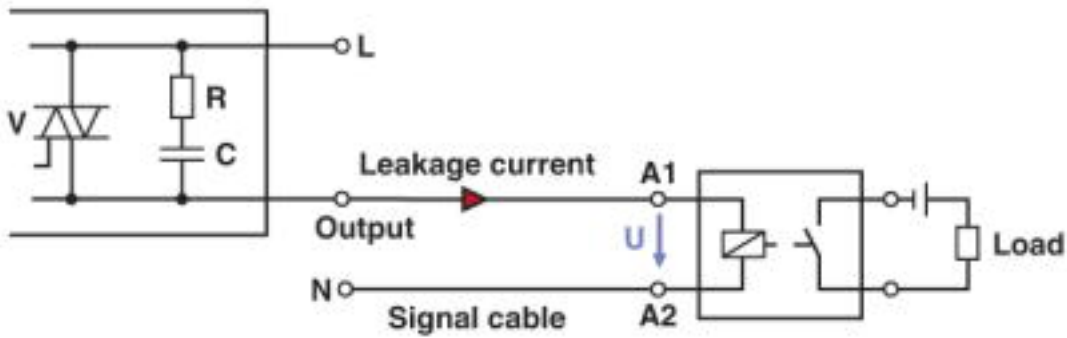
FBST 14-PLC BK - 2967691



Drawings

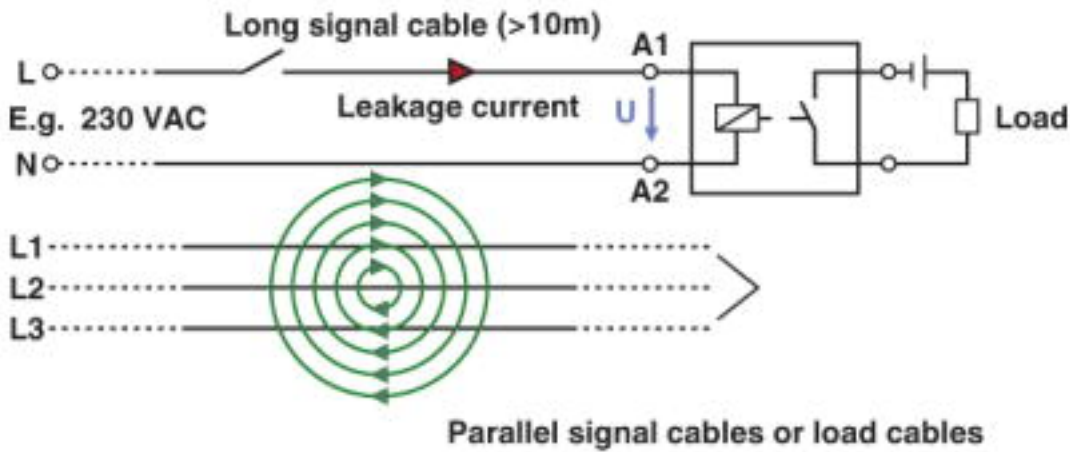
Relay socket - PLC-BSC-230UC/21HC/SO46 - 2980445

Application drawing



Occurrence of interference signals Scenario 1: controller - AC output card

Application drawing



Occurrence of interference signals Scenario 2: long signal cables

Relay socket - PLC-BSC-230UC/21HC/SO46 - 2980445

Circuit diagram

