

# Electronic terminal block - EIK1-SVN-24P - 2940799

Please be informed that the data shown in this PDF Document is generated from our Online Catalog. Please find the complete data in the user's documentation. Our General Terms of Use for Downloads are valid (<http://download.phoenixcontact.com>)



Switching amplifier electronic terminal block, for inductive proximity sensors acc. to NAMUR, with light indicators for sensor signal and faults

## Product Features

- Bridging and labeling with standard terminal block accessories
- Error indication via LED
- Monitoring of initiator side for short circuits or wire breaks
- Status indication (high signal) via green LED
- Suitable resistance circuit to enable monitoring of mechanical switches
- 24 V/50 mA digital output



## Key commercial data

<b>package_quantity</b>	10
<b>GTIN</b>	4017918080242

## Technical data

Note:

<b>Utilization restriction</b>	EMC: class A product, see manufacturer's declaration in the download area
--------------------------------	---

### Dimensions

<b>Width</b>	6.2 mm
<b>Height</b>	80 mm
<b>Depth</b>	56 mm

### Ambient conditions

<b>Ambient temperature (operation)</b>	-25 °C ... 50 °C
<b>Ambient temperature (storage/transport)</b>	-25 °C ... 70 °C

### Input data

<b>Name</b>	Supply
<b>Input voltage range</b>	18.5 V DC ... 28.8 V DC ( $U_{VN}$ , see derating curve)
<b>Typical input current at <math>U_N</math></b>	70 mA
<b>Max. current consumption</b>	70 mA (at 50 mA output current)

# Electronic terminal block - EIK1-SVN-24P - 2940799

## Technical data

### Input data

Operating voltage display	Green LED
Type of protection	Protection against polarity reversal
Protective circuit/component	Polarity protection diode
Transmission frequency	1 kHz
Name	Control circuit
Nominal input voltage $U_N$	8.2 V DC $\pm 10\%$
Indication	visual short-circuit and wire break control with LED (red)
Type of protection	12 V Zener diode
Protective circuit/component	12 V Zener diode
Transmission frequency	1 kHz
Switching point	$\geq 2.1$ mA (In conductive state)
Switching point	$\leq 1.2$ mA (In blocking state)
Switching point	6.3 mA ... 10 mA (in the event of a short-circuit)
Switching point	0 mA ... 0.35 mA (In the event of a wire break)
Switching hysteresis	approx. 0.2 mA
Internal resistance	approx. 1 k $\Omega$

### Output data

Name	Signal output
Output nominal voltage	$\leq 100$ mV (In conductive state)
Output nominal voltage	$(U_{VN} - U_R)$ ; in blocking state)
Limiting continuous current	50 mA
Voltage drop at max. limiting continuous current	$\leq 1.5$ V ( $U_R$ )
Type of protection	36 V Zener diode as free-wheeling diode
Protective circuit/component	36 V Zener diode as free-wheeling diode

### Connection data

Connection method	Screw connection
Stripping length	8 mm
Screw thread	M3
Conductor cross section solid min.	0.2 mm <sup>2</sup>
Conductor cross section solid max.	4 mm <sup>2</sup>
Conductor cross section stranded min.	0.2 mm <sup>2</sup>
Conductor cross section stranded max.	2.5 mm <sup>2</sup>
Conductor cross section AWG/kcmil min.	24
Conductor cross section AWG/kcmil max	12

### General

Mounting position	Any
Assembly instructions	In rows with zero spacing
Name	Air and creepage distances
Standards/regulations	IEC 60664
Standards/regulations	EN 61000-6-2

# Electronic terminal block - EIK1-SVN-24P - 2940799

## Technical data

### General

Standards/regulations	EN 61000-6-4
Pollution degree	2
Surge voltage category	III

## classifications

### eCl@ss

eCl@ss 4.0	27371102
eCl@ss 4.1	27371102
eCl@ss 5.0	27371001
eCl@ss 5.1	27371001
eCl@ss 6.0	27371001
eCl@ss 7.0	27371001
eCl@ss 8.0	27371001

### ETIM

ETIM 2.0	EC001437
ETIM 3.0	EC001437
ETIM 4.0	EC001437
ETIM 5.0	EC001437

### UNSPSC

UNSPSC 6.01	30211916
UNSPSC 7.0901	39121515
UNSPSC 11	39121515
UNSPSC 12.01	39121515
UNSPSC 13.2	39121515

## approvals

GOST /

### Approval details



## accessories

### Bridge

## Electronic terminal block - EIK1-SVN-24P - 2940799

### accessories

EB 80- DIK WH - 2715788



EB 80- DIK RD - 2715953



EB 80- DIK BU - 2715940



EB 10- DIK BU - 2716680



EB 5- DIK BU - 2716677



EB 4- DIK BU - 2716664



## Electronic terminal block - EIK1-SVN-24P - 2940799

### accessories

---

EB 3- DIK BU - 2716651



EB 2- DIK BU - 2716648



EB 10- DIK RD - 2716774



EB 5- DIK RD - 2716761



EB 4- DIK RD - 2716758



# Electronic terminal block - EIK1-SVN-24P - 2940799

accessories

EB 3- DIK RD - 2716745

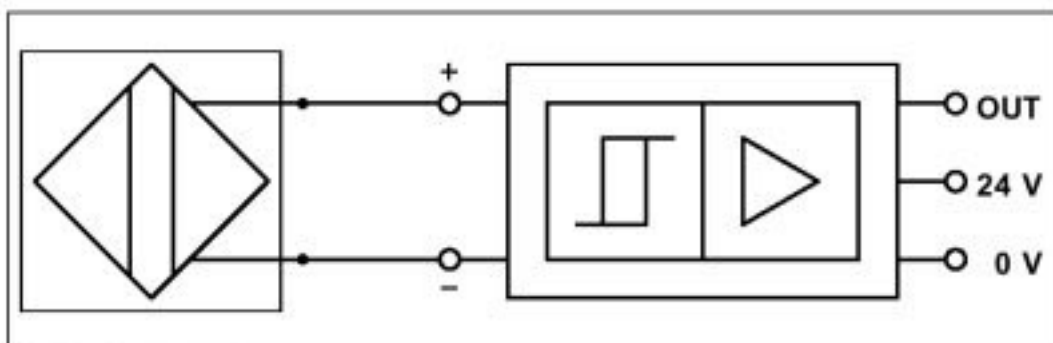


EB 2- DIK RD - 2716693



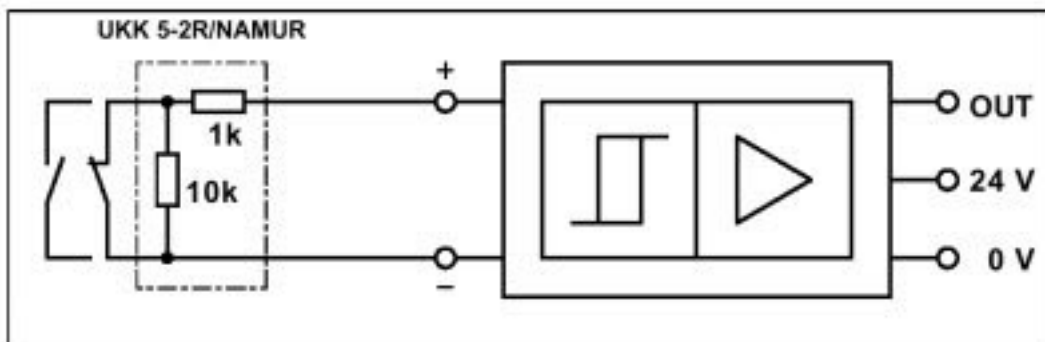
## Drawings

Application drawing



NAMUR initiator

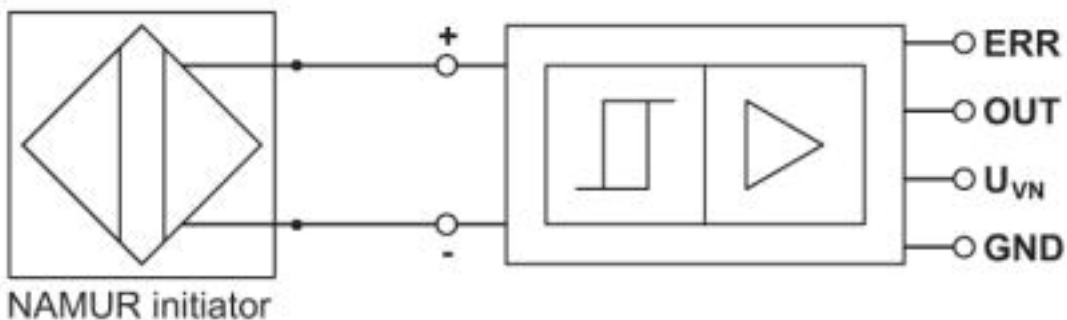
Application drawing



Limit switch

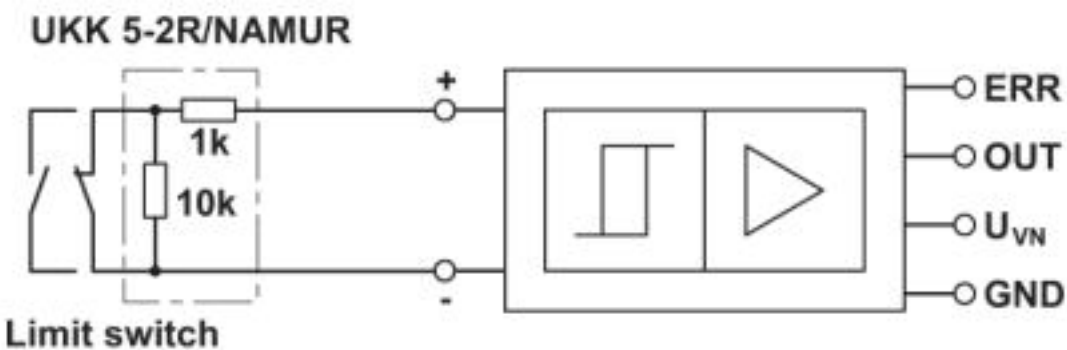
# Electronic terminal block - EIK1-SVN-24P - 2940799

Application drawing



NAMUR initiator

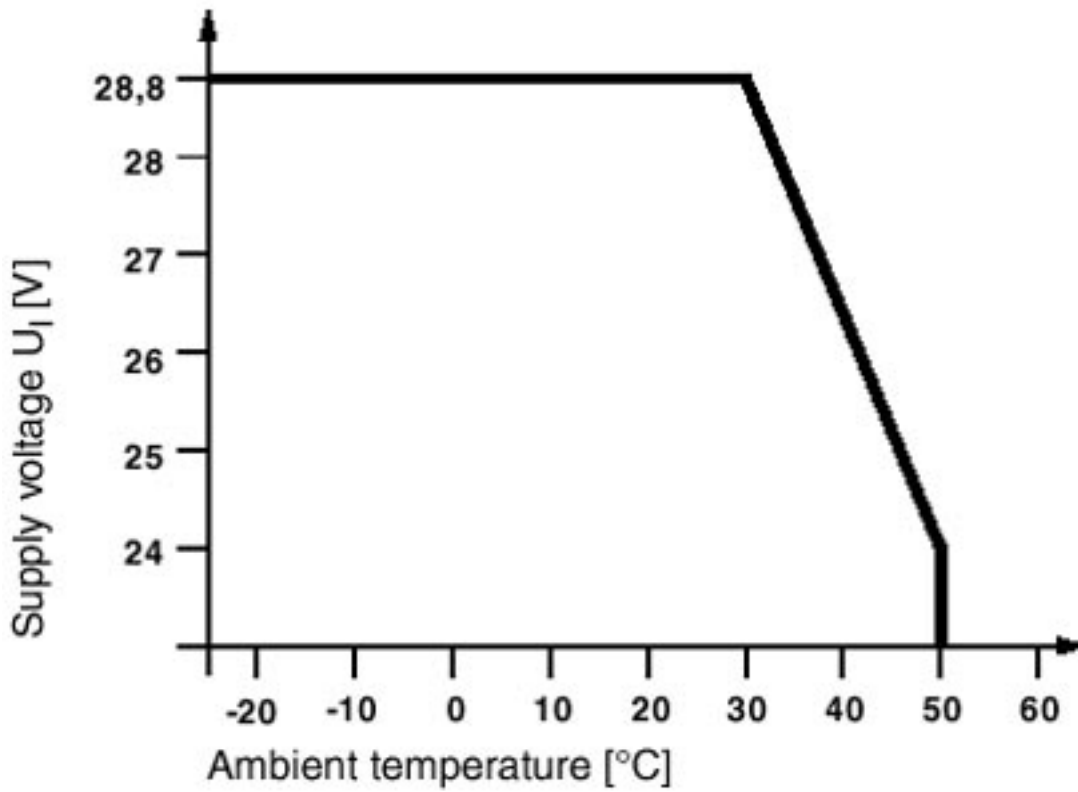
Application drawing



Limit switch

# Electronic terminal block - EIK1-SVN-24P - 2940799

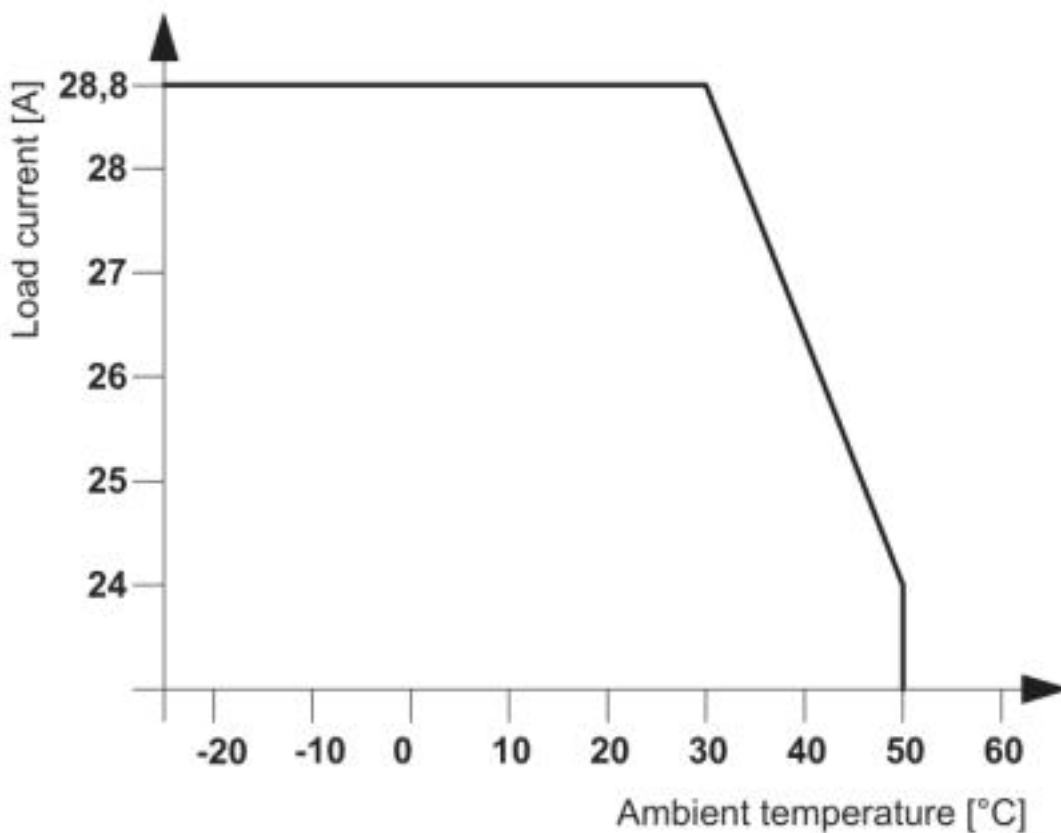
Diagram





# Electronic terminal block - EIK1-SVN-24P - 2940799

Diagram



Circuit diagram

