

# Relay Module - EMG 10-REL/KSR- 24/21-LC - 2942658

Please be informed that the data shown in this PDF Document is generated from our Online Catalog. Please find the complete data in the user's documentation. Our General Terms of Use for Downloads are valid (<http://download.phoenixcontact.com>)



Relay module, with soldered-in miniature switching relay, contact (AgNi): Medium to large loads, 1 PDT, input voltage 24 V AC/DC

The figure shows the EMG 10-REL/KSR-G 24/21-LC variant

## Product Features

- Safe isolation according to DIN EN 50178 between coil and contact
- Integrated input circuit and interference suppression circuit



## Key commercial data

package_quantity	10
GTIN	4017918080808

## Technical data

Note:

Utilization restriction	EMC: class A product, see manufacturer's declaration in the download area
-------------------------	---

### Dimensions

Width	10.6 mm
Height	75 mm
Depth	62.5 mm

### Ambient conditions

Ambient temperature (operation)	-20 °C ... 40 °C
Ambient temperature (storage/transport)	-20 °C ... 70 °C

### Coil side

Nominal input voltage $U_N$	24 V AC/DC
Input voltage range in reference to $U_N$	0.9 ... 1.1
Nominal input current at $U_{IN}$	21 mA
Typical response time	7 ms
Typical release time	11 ms
Operating voltage display	Yellow LED
Protective circuit	Bridge rectifier Bridge rectifier

# Relay Module - EMG 10-REL/KSR- 24/21-LC - 2942658

## Technical data

### Contact side

<b>Contact type</b>	Single contact, 1-PDT
<b>Contact material</b>	AgNi
<b>Maximum switching voltage</b>	250 V AC/DC
<b>Maximum inrush current</b>	8 A
<b>Limiting continuous current</b>	6 A
<b>Interrupting rating (ohmic load) max.</b>	140 W (at 24 V DC)
<b>Interrupting rating (ohmic load) max.</b>	53 W (at 48 V DC)
<b>Interrupting rating (ohmic load) max.</b>	45 W (at 60 V DC)
<b>Interrupting rating (ohmic load) max.</b>	35 W (at 110 V DC)
<b>Interrupting rating (ohmic load) max.</b>	55 W (at 220 V DC)
<b>Interrupting rating (ohmic load) max.</b>	1500 VA (for 250 V AC)

### General

<b>Test voltage relay winding/relay contact</b>	4 kV AC (50 Hz, 1 min.)
<b>Operating mode</b>	100% operating factor
<b>Mechanical service life</b>	Approx. $2 \times 10^7$ cycles
<b>Standards/regulations</b>	IEC 60664
<b>Standards/regulations</b>	EN 50178
<b>Standards/regulations</b>	IEC 62103
<b>Rated surge voltage / insulation</b>	Basic insulation
<b>Pollution degree</b>	2
<b>Surge voltage category</b>	III
<b>Mounting position</b>	Any
<b>Assembly instructions</b>	In rows with zero spacing

### Connection data

<b>Connection method</b>	Screw connection
<b>Conductor cross section solid min.</b>	0.2 mm <sup>2</sup>
<b>Conductor cross section solid max.</b>	4 mm <sup>2</sup>
<b>Conductor cross section stranded min.</b>	0.2 mm <sup>2</sup>
<b>Conductor cross section stranded max.</b>	2.5 mm <sup>2</sup>
<b>Conductor cross section AWG/kcmil min.</b>	24
<b>Conductor cross section AWG/kcmil max</b>	12
<b>Stripping length</b>	8 mm
<b>Screw thread</b>	M3

## classifications

### eCl@ss

<b>eCl@ss 4.0</b>	27371102
<b>eCl@ss 4.1</b>	27371102
<b>eCl@ss 5.0</b>	27371001

# Relay Module - EMG 10-REL/KSR- 24/21-LC - 2942658

## classifications

### eCl@ss

eCl@ss 5.1	27371001
eCl@ss 6.0	27371001
eCl@ss 7.0	27371001
eCl@ss 8.0	27371001

### ETIM

ETIM 2.0	EC000196
ETIM 3.0	EC000196
ETIM 4.0	EC000196
ETIM 5.0	EC000196

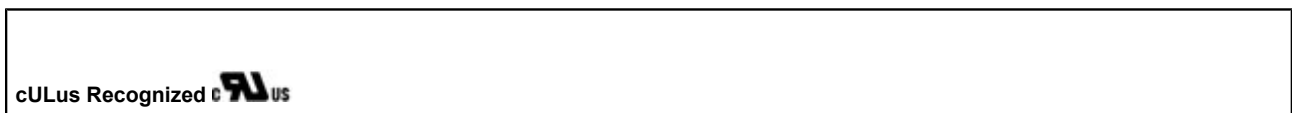
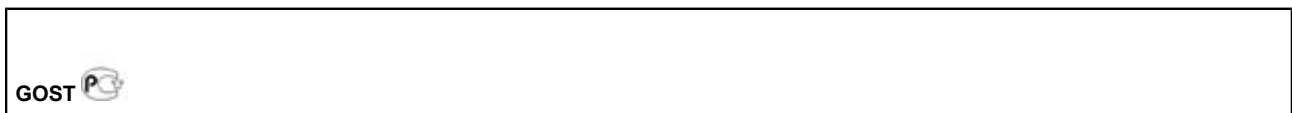
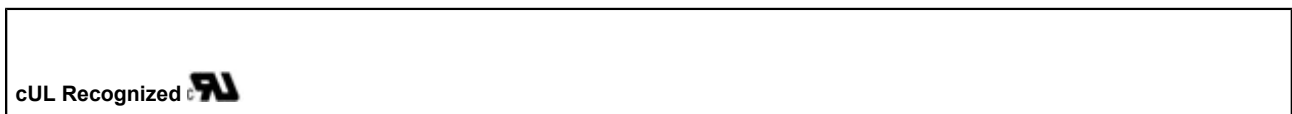
### UNSPSC

UNSPSC 6.01	30211916
UNSPSC 7.0901	39121515
UNSPSC 11	39121515
UNSPSC 12.01	39121515
UNSPSC 13.2	39121515

## approvals

UL Recognized / cUL Recognized / GOST / cULus Recognized /

### Approval details



# Relay Module - EMG 10-REL/KSR- 24/21-LC - 2942658

accessories

EMG-SGKS 10 - 2947585



---

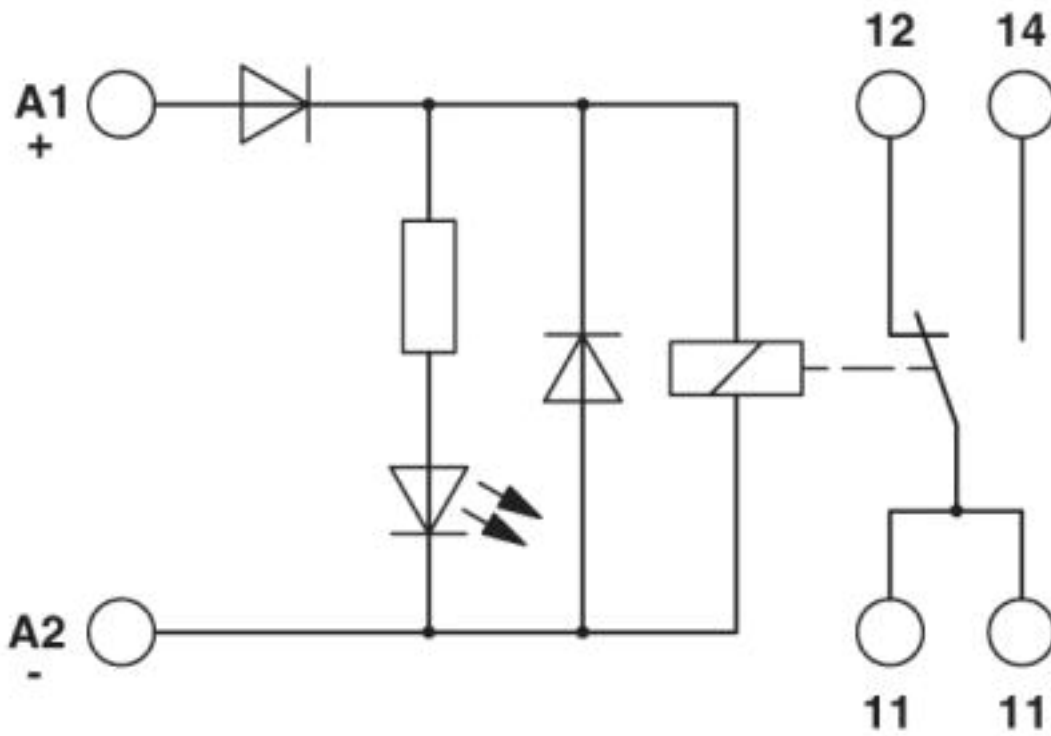
## Drawings

Connection diagram



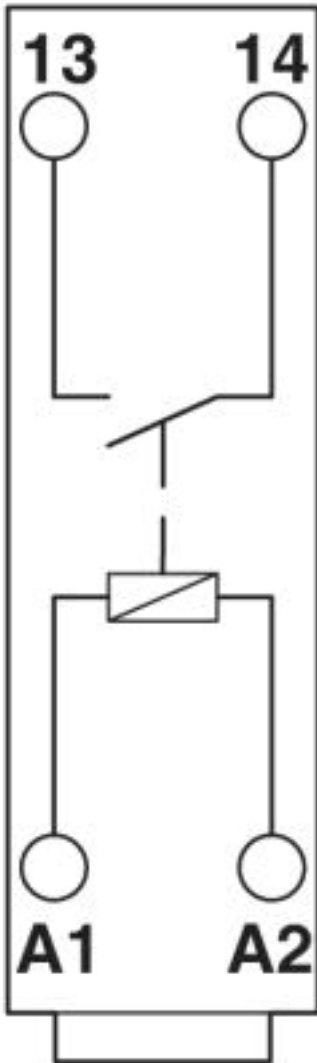
# Relay Module - EMG 10-REL/KSR- 24/21-LC - 2942658

Circuit diagram



# Relay Module - EMG 10-REL/KSR- 24/21-LC - 2942658

Circuit diagram



© Phoenix Contact 2013 - all rights reserved  
<http://www.phoenixcontact.com>