

# Relay socket - PLC-BSC-TTL/1 - 2982689

Please be informed that the data shown in this PDF Document is generated from our Online Catalog. Please find the complete data in the user's documentation. Our General Terms of Use for Downloads are valid (<http://download.phoenixcontact.com>)



6.2 mm PLC basic terminal blocks with screw connection, input voltage: TTL (5 V DC) (without relays or optocouplers)

## Product Features

- 6.2 mm narrow design width
- Screw and spring-cage connection
- RT III protection
- Safe isolation according to EN 50178 (VDE 0160)
- 4 kVrms electrical isolation between coil and contact
- Status indicator
- Bridging options



## Key commercial data

package_quantity	10
GTIN	4046356155212

## Technical data

Note:

Utilization restriction	EMC: class A product, see manufacturer's declaration in the download area
-------------------------	---

## Dimensions

Width	6.2 mm
Height	80 mm
Depth	94 mm

## Ambient conditions

Ambient temperature (operation)	-20 °C ... 60 °C
Ambient temperature (storage/transport)	-40 °C ... 85 °C

## Input data

Rated control supply voltage $U_s$	5 V DC
Voltage range with reference to $U_s$	0.9 ... 1.2
Rated control supply current $I_s$	41 mA

# Relay socket - PLC-BSC-TTL/1 - 2982689

## Technical data

### Input data

Rated actuating voltage $U_c$	5 V DC (TTL)
Voltage range with reference to $U_c$	0.9 ... 1.2
Rated actuating current $I_c$	2.5 mA
Rated actuating voltage $U_c$	5 V DC (TTL)
Rated actuating current $I_c$	2.5 mA
Rated control supply voltage $U_s$	5 V DC
Voltage range with reference to $U_s$	0.9 ... 1.2
Rated control supply current $I_s$	11.5 mA
Switching level 1 signal ("H") (TTL signal)	> 2 V DC
Switching level 0 signal ("L") (TTL signal)	< 0.8 V DC
Nominal input voltage $U_N$	5 V DC (TTL)
Surge voltage protection	> 6.5 V
Transmission frequency	1000 Hz
Surge voltage protection	> 6.5 V

### Connection data

Conductor cross section solid min.	0.14 mm <sup>2</sup>
Conductor cross section solid max.	2.5 mm <sup>2</sup>
Conductor cross section stranded min.	0.14 mm <sup>2</sup>
Conductor cross section stranded max.	2.5 mm <sup>2</sup>
Conductor cross section AWG/kcmil min.	26
Conductor cross section AWG/kcmil max	14
Connection method	Screw connection
Stripping length	8 mm
Screw thread	M3

### General

Color	green
Operating mode	100% operating factor
Inflammability class according to UL 94	V0
Mounting position	Any
Assembly instructions	In rows with zero spacing

## classifications

### eCl@ss

eCl@ss 4.0	27371102
eCl@ss 4.1	27371102
eCl@ss 5.0	27371603
eCl@ss 5.1	27371603
eCl@ss 6.0	27371603
eCl@ss 7.0	27371603

# Relay socket - PLC-BSC-TTL/1 - 2982689

## classifications

### eCl@ss

eCl@ss 8.0	27371603
------------	----------

### ETIM

ETIM 2.0	EC001456
ETIM 3.0	EC001456
ETIM 4.0	EC001456
ETIM 5.0	EC001456

### UNSPSC

UNSPSC 6.01	30211917
UNSPSC 7.0901	39121516
UNSPSC 11	39121516
UNSPSC 12.01	39121516
UNSPSC 13.2	39121516

## approvals

UL Recognized / UL Listed / cUL Recognized / cUL Listed / cULus Recognized / cULus Listed /

### Approval details

UL Recognized

UL Listed

cUL Recognized

cUL Listed

cULus Recognized

## Relay socket - PLC-BSC-TTL/1 - 2982689

approvals

cULus Listed 

accessories

**Mounting rail**

NS 35/ 7,5 V2A UNPERF 2000MM - 0801377



NS 35/ 7,5 PERF 2000MM - 0801733



NS 35/ 7,5 CU UNPERF 2000MM - 0801762



NS 35/15 UNPERF 2000MM - 1201714



NS 35/15 CU UNPERF 2000MM - 1201895



## Relay socket - PLC-BSC-TTL/1 - 2982689

### accessories

---

NS 35/15-2,3 UNPERF 2000MM - 1201798



NS 35/15 AL UNPERF 2000MM - 1201756



NS 35/15 PERF 2000MM - 1201730



NS 35/ 7,5 UNPERF 2000MM - 0801681



---

### Terminal marking

ZB 6:UNBEDRUCKT - 1051003



## Relay socket - PLC-BSC-TTL/1 - 2982689

accessories

ZB 6/WH-100:UNBEDRUCKT - 5060935



---

### Labeled terminal marker

ZB 6,LGS:FORTL.ZAHLEN - 1051016



---

### Power module

PLC-ESK GY - 2966508



---

### Partition plate

PLC-ATP BK - 2966841



---

### Screwdriver tools

SZF 1-0,6X3,5 - 1204517



# Relay socket - PLC-BSC-TTL/1 - 2982689

accessories

---

## Bridge

FBST 500-PLC RD - 2966786



FBST 500-PLC BU - 2966692



FBST 500-PLC GY - 2966838



FBST 6-PLC RD - 2966236



FBST 6-PLC BU - 2966812



# Relay socket - PLC-BSC-TTL/1 - 2982689

accessories

FBST 6-PLC GY - 2966825

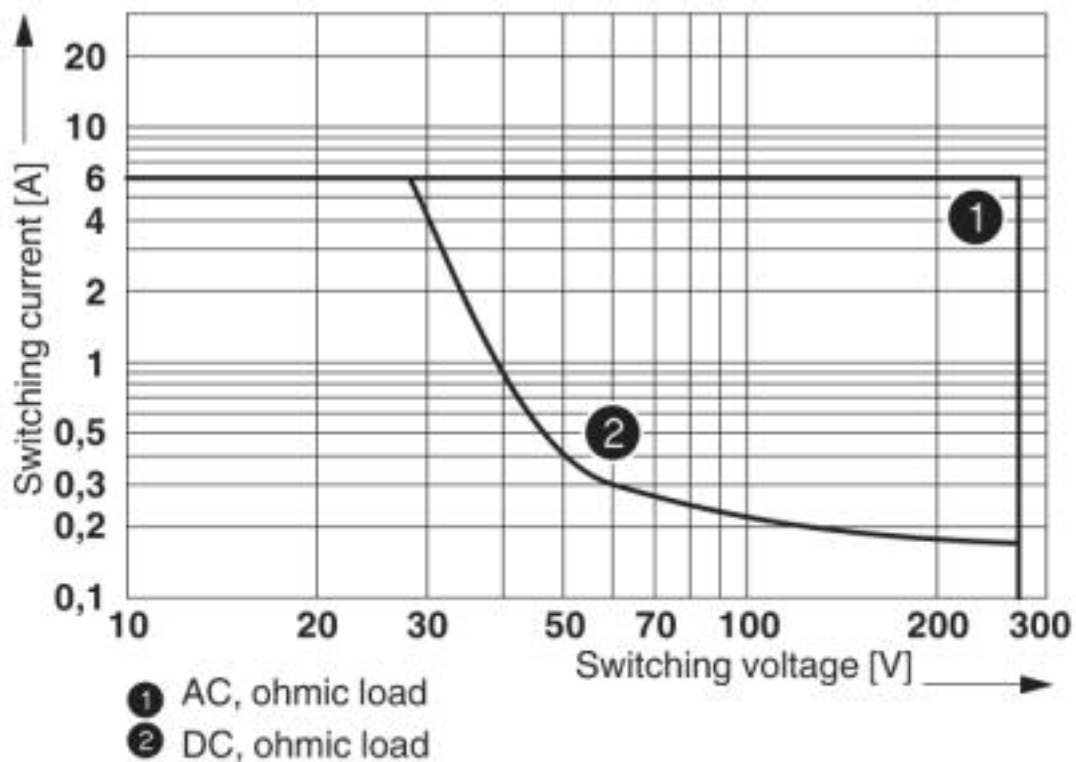


FBST 8-PLC GY - 2967688



## Drawings

Diagram

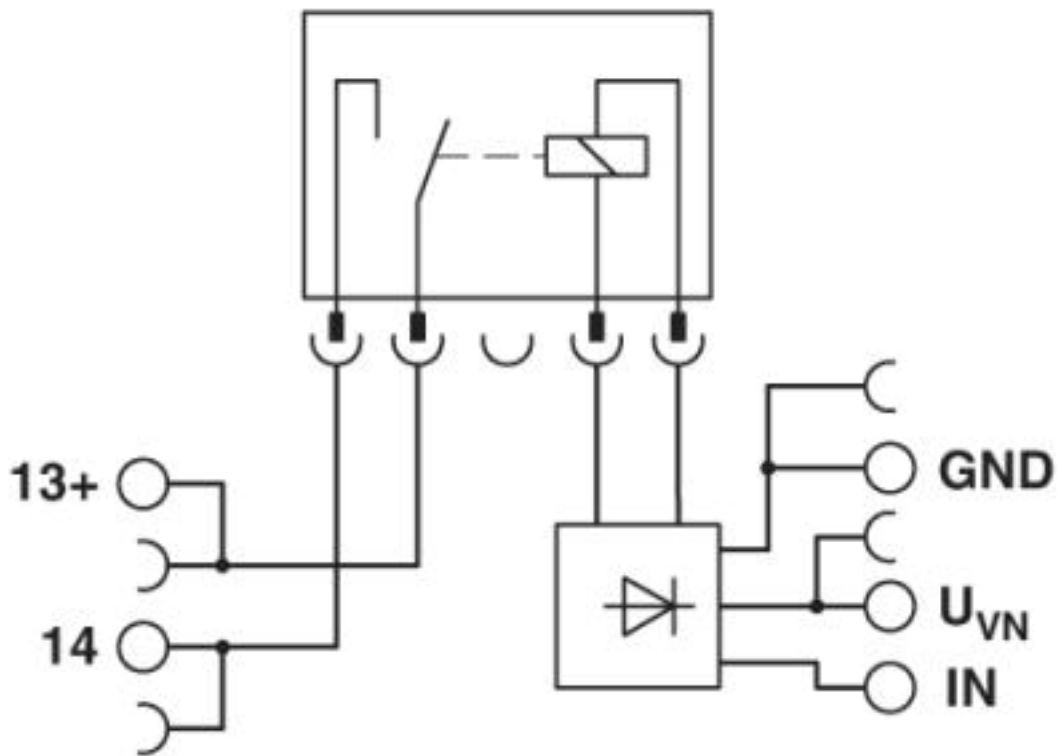


Max. interrupting rating



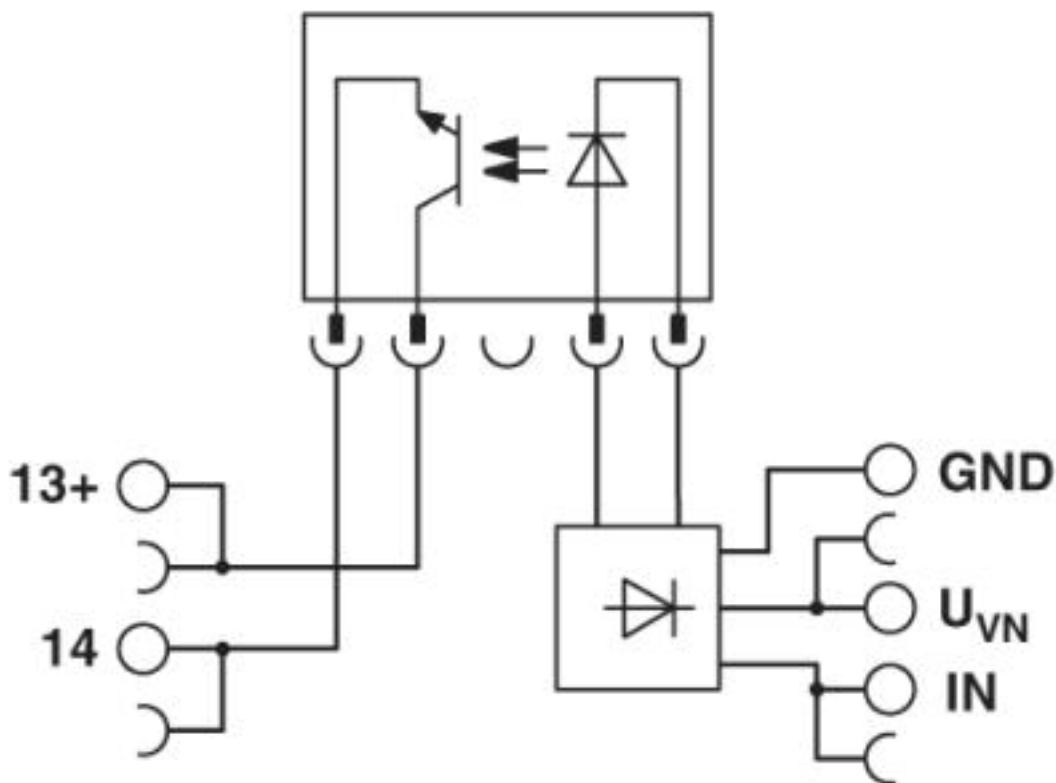
# Relay socket - PLC-BSC-TTL/1 - 2982689

Circuit diagram



# Relay socket - PLC-BSC-TTL/1 - 2982689

Circuit diagram



Circuit diagram