

Extension module - PSR-SPP- 24UC/URM/5X1/2X2 - 2963970

Please be informed that the data shown in this PDF Document is generated from our Online Catalog. Please find the complete data in the user's documentation. Our General Terms of Use for Downloads are valid (<http://download.phoenixcontact.com>)



Universal safety relay with positively driven contacts, 5 N/O contacts, 2 N/C contacts, single-channel, plug-in terminal blocks with spring-cage connection, width: 22.5 mm

The figure shows a version with a screw connection

Product Features

- Like all PSR safety relays, equipped with forcibly guided contacts according to EN 50205
- Single-channel control



Key commercial data

| | |
|-------------------------|---------------|
| package_quantity | 1 |
| GTIN | 4017918904791 |

Technical data

Dimensions

| | |
|---------------|----------|
| Width | 22.5 mm |
| Height | 112 mm |
| Depth | 114.5 mm |

Ambient conditions

| | |
|--|------------------|
| Ambient temperature (operation) | -20 °C ... 55 °C |
| Ambient temperature (storage/transport) | -40 °C ... 70 °C |

Input data

| | |
|---|-------------|
| Nominal input voltage U_N | 24 V AC/DC |
| Input voltage range in reference to U_N | 0.8 ... 1.1 |
| Typical input current at U_N | 47 mA |
| Typical response time | 20 ms |
| Typical release time | 20 ms |

Output data

| | |
|----------------------------------|----------------------------------|
| Contact type | 5 N/O contacts |
| Contact type | 2 N/C contacts |
| Contact material | AgSnO ₂ , + 0.2 µm Au |
| Maximum switching voltage | 250 V AC/DC |

Extension module - PSR-SPP- 24UC/URM/5X1/2X2 - 2963970

Technical data

Output data

| | |
|--|---|
| Minimum switching voltage | 15 V AC/DC |
| Limiting continuous current | 6 A |
| Maximum inrush current | 6 A |
| Inrush current, minimum | 25 mA |
| Sq. Total current | $72 \text{ A}^2 (I_{TH}^2 = I_1^2 + I_2^2 + \dots + I_5^2)$ |
| Interrupting rating (ohmic load) max. | 144 W (24 V DC, $\tau = 0 \text{ ms}$) |
| Interrupting rating (ohmic load) max. | 288 W (48 V DC, $\tau = 0 \text{ ms}$) |
| Interrupting rating (ohmic load) max. | 110 W (110 V DC, $\tau = 0 \text{ ms}$) |
| Interrupting rating (ohmic load) max. | 88 W (220 V DC, $\tau = 0 \text{ ms}$) |
| Interrupting rating (ohmic load) max. | 1500 VA (250 V AC, $\tau = 0 \text{ ms}$) |
| Maximum interrupting rating (inductive load) | 42 W (24 V DC, $\tau = 40 \text{ ms}$) |
| Maximum interrupting rating (inductive load) | 42 W (48 V DC, $\tau = 40 \text{ ms}$) |
| Maximum interrupting rating (inductive load) | 42 W (110 V DC, $\tau = 40 \text{ ms}$) |
| Maximum interrupting rating (inductive load) | 42 W (220 V DC, $\tau = 40 \text{ ms}$) |
| Switching capacity min. | 0.4 W |
| Output fuse | 6 A fast blow |
| Output fuse | C6 (24 V AC/DC) automatic device |

General

| | |
|----------------------------------|--|
| Relay type | Electromechanically forcibly guided, dust-proof relay. |
| Mechanical service life | Approx. 10^7 cycles |
| Mounting position | Any |
| Name | Air and creepage distances between the power circuits |
| Standards/regulations | DIN EN 50178/VDE 0160 |
| Standards/regulations | EN 50205 |
| Rated surge voltage / insulation | 4 kV / basic insulation |
| Rated insulation voltage | 250 V |
| Pollution degree | 2 |
| Surge voltage category | III |

Connection data

| | |
|--|---------------------|
| Conductor cross section solid min. | 0.2 mm ² |
| Conductor cross section solid max. | 1.5 mm ² |
| Conductor cross section stranded min. | 0.2 mm ² |
| Conductor cross section stranded max. | 1.5 mm ² |
| Conductor cross section AWG/kcmil min. | 24 |
| Conductor cross section AWG/kcmil max | 16 |
| Stripping length | 8 mm |
| Connection method | Spring-cage conn. |

Extension module - PSR-SPP- 24UC/URM/5X1/2X2 - 2963970

classifications

eCl@ss

| | |
|------------|----------|
| eCl@ss 4.0 | 27371102 |
| eCl@ss 4.1 | 27371102 |
| eCl@ss 5.0 | 27371901 |
| eCl@ss 5.1 | 27371901 |
| eCl@ss 6.0 | 27371819 |
| eCl@ss 7.0 | 27371819 |
| eCl@ss 8.0 | 27371819 |

ETIM

| | |
|----------|----------|
| ETIM 2.0 | EC000196 |
| ETIM 3.0 | EC001449 |
| ETIM 4.0 | EC001449 |
| ETIM 5.0 | EC001449 |

UNSPSC

| | |
|---------------|----------|
| UNSPSC 6.01 | 30211901 |
| UNSPSC 7.0901 | 39121501 |
| UNSPSC 11 | 39121501 |
| UNSPSC 12.01 | 39121501 |
| UNSPSC 13.2 | 39121501 |

approvals

UL Listed / GOST / cUL Listed / cULus Listed /

Approval details

UL Listed

GOST

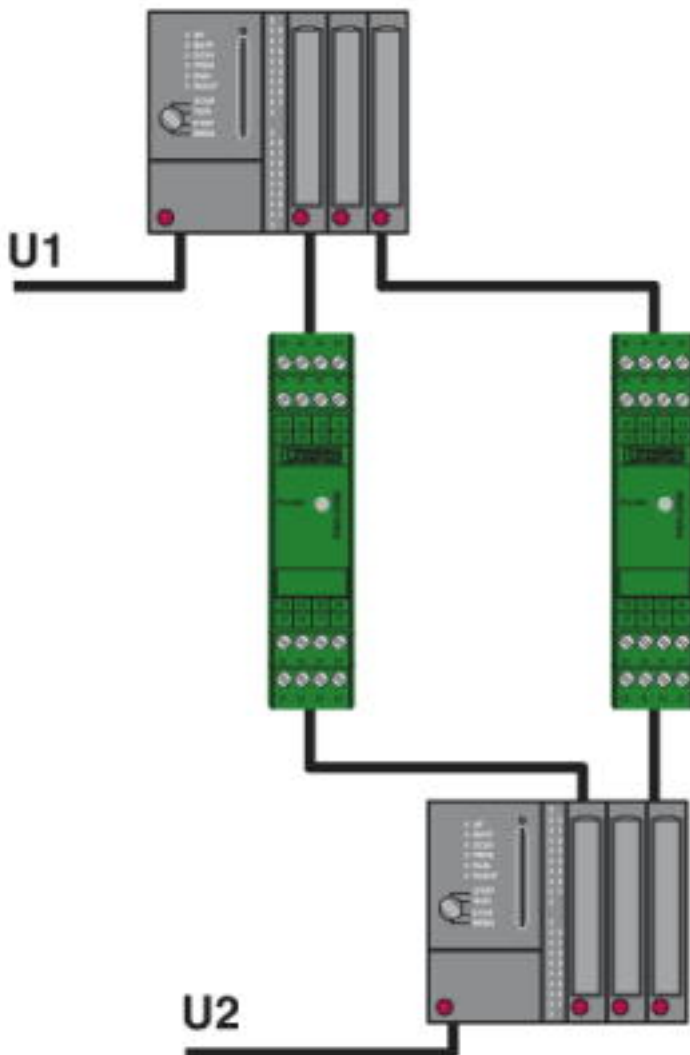
cUL Listed

cULus Listed

Extension module - PSR-SPP- 24UC/URM/5X1/2X2 - 2963970

Drawings

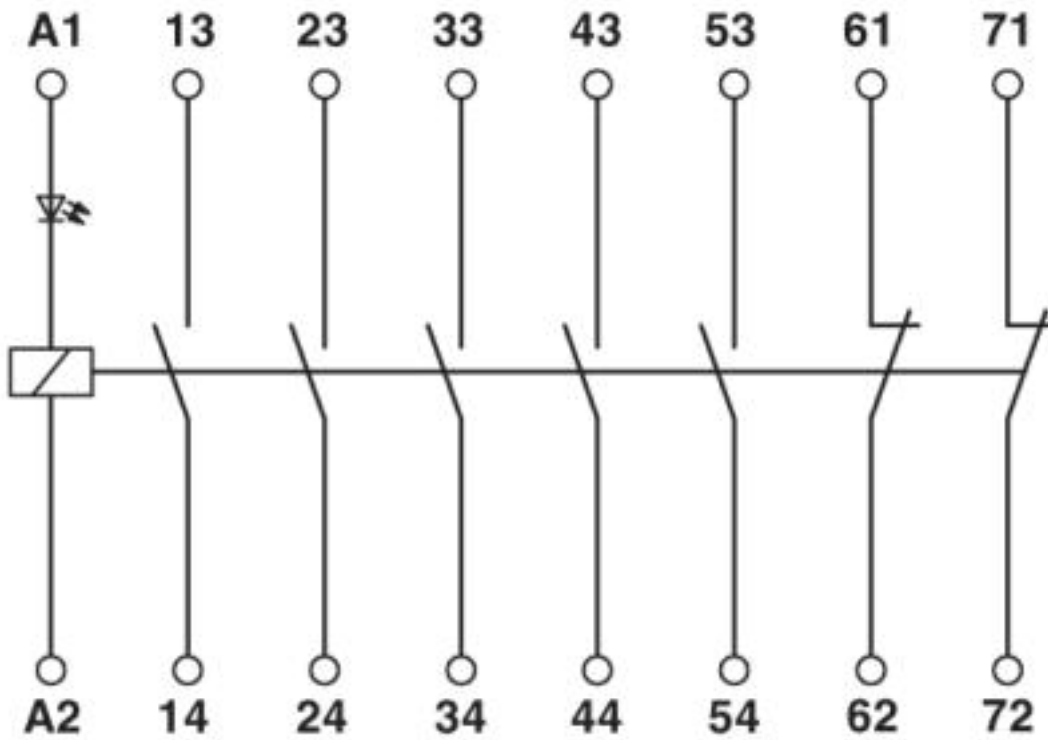
Application drawing



Reliable signal exchange between two systems with confirmation function.

Extension module - PSR-SPP- 24UC/URM/5X1/2X2 - 2963970

Circuit diagram



© Phoenix Contact 2013 - all rights reserved
<http://www.phoenixcontact.com>