

# Safety relays - PSR-SPP- 24DC/ESD/5X1/1X2/ T 5 - 2981279

Please be informed that the data shown in this PDF Document is generated from our Online Catalog. Please find the complete data in the user's documentation. Our General Terms of Use for Downloads are valid (<http://download.phoenixcontact.com>)



Safety relay for emergency stop and safety door monitoring up to SIL 3 or Cat. 4, PL e according to EN ISO 13849, automatic or manual activation, 3 N/O contacts, 1 N/C contact, 2 N/O contacts with fixed 5.0 s dropout delay, plug-in spring-cage connection terminal blocks

## Product Features

- Manually monitored and automatic activation
- Up to Cat. 3/4 and PL d/e according to ISO 13849-1, SILCL 3 according to IEC 62061, SIL 3 according to IEC 61508
- For emergency stop and safety door monitoring, plus evaluation of light grids (suitable light grids available on request)
- Single and two-channel control
- Fixed delay times of 0.5 s ... 30 s
- 3 undelayed and 2 dropout delay contacts



## Key commercial data

package_quantity	1
GTIN	4017918956769

## Technical data

Note:

Utilization restriction	EMC: class A product, see manufacturer's declaration in the download area
-------------------------	---

### Dimensions

Width	45 mm
Height	112 mm
Depth	114.5 mm

### Ambient conditions

Ambient temperature (operation)	-20 °C ... 55 °C
Ambient temperature (storage/transport)	-40 °C ... 70 °C

### Input data

Nominal input voltage $U_N$	24 V DC
Input voltage range in reference to $U_N$	0.85 ... 1.1
Typical input current at $U_N$	150 mA DC
Voltage at input/start and feedback circuit	approx. 24 V DC
Typical response time	70 ms (manual start)

# Safety relays - PSR-SPP- 24DC/ESD/5X1/1X2/ T 5 - 2981279

## Technical data

### Input data

Typical response time	600 ms (Auto-start)
Typical release time	20 ms (undelayed contacts)
Concurrence input 1/2	Infinite
Recovery time	1 s
Max. permissible overall conductor resistance	11 Ω (Input and start circuits at U <sub>N</sub> )
Delay time	5 s ±20 %

### Output data

Contact type	3 enabling current paths undelayed
Contact type	2 enabling current paths delayed
Contact type	1 signaling current path undelayed
Contact material	AgSnO <sub>2</sub>
Maximum switching voltage	250 V AC/DC
Minimum switching voltage	15 V AC/DC
Limiting continuous current	6 A
Maximum inrush current	6 A
Inrush current, minimum	25 mA
Sq. Total current	$55 \text{ A}^2 (I_{TH}^2 = I_1^2 + I_2^2 + I_3^2 + I_4^2 + I_5^2)$
Interrupting rating (ohmic load) max.	144 W (24 V DC, τ = 0 ms)
Interrupting rating (ohmic load) max.	288 W (48 V DC, τ = 0 ms)
Interrupting rating (ohmic load) max.	110 W (110 V DC, τ = 0 ms)
Interrupting rating (ohmic load) max.	88 W (220 V DC, τ = 0 ms)
Interrupting rating (ohmic load) max.	1500 VA (250 V AC, τ = 0 ms)
Maximum interrupting rating (inductive load)	42 W (24 V DC, τ = 40 ms)
Maximum interrupting rating (inductive load)	42 W (48 V DC, τ = 40 ms)
Maximum interrupting rating (inductive load)	42 W (110 V DC, τ = 40 ms)
Maximum interrupting rating (inductive load)	42 W (220 V DC, τ = 40 ms)
Switching capacity min.	0.4 W
Output fuse	6 A fast blow (undelayed)
Output fuse	C6 (24 V AC/DC) automatic device (undelayed)
Output fuse	10 A gL/gG NEOZED (delayed)

### General

Relay type	Electromechanically forcibly guided, dust-proof relay.
Mechanical service life	Approx. 10 <sup>7</sup> cycles
Mounting position	Any
Category according to EN 13849-1	3 (For delayed contacts)
Category according to EN 13849-1	4 (For non-delayed contacts)
Stop category	0 (For non-delayed contacts)
Stop category	1 (For delayed contacts)
Name	Air and creepage distances between the power circuits
Standards/regulations	DIN EN 50178/VDE 0160

# Safety relays - PSR-SPP- 24DC/ESD/5X1/1X2/ T 5 - 2981279

## Technical data

### General

<b>Rated surge voltage / insulation</b>	4 kV / basic isolation, (safe isolation, reinforced insulation and 6 kV between the enabling current paths (13/14, 23/24, 33/34) and the remaining current paths and between 13/14, 23/24, 33/34 between each other.)
<b>Rated insulation voltage</b>	250 V
<b>Pollution degree</b>	2
<b>Surge voltage category</b>	III

### Connection data

<b>Conductor cross section solid min.</b>	0.2 mm <sup>2</sup>
<b>Conductor cross section solid max.</b>	1.5 mm <sup>2</sup>
<b>Conductor cross section stranded min.</b>	0.2 mm <sup>2</sup>
<b>Conductor cross section stranded max.</b>	1.5 mm <sup>2</sup>
<b>Conductor cross section AWG/kcmil min.</b>	24
<b>Conductor cross section AWG/kcmil max</b>	16
<b>Stripping length</b>	8 mm
<b>Connection method</b>	Spring-cage conn.

## classifications

### eCl@ss

<b>eCl@ss 4.0</b>	27371102
<b>eCl@ss 4.1</b>	27371102
<b>eCl@ss 5.0</b>	27371901
<b>eCl@ss 5.1</b>	27371901
<b>eCl@ss 6.0</b>	27371819
<b>eCl@ss 7.0</b>	27371819
<b>eCl@ss 8.0</b>	27371819

### ETIM

<b>ETIM 2.0</b>	EC001449
<b>ETIM 3.0</b>	EC001449
<b>ETIM 4.0</b>	EC001449
<b>ETIM 5.0</b>	EC001449

### UNSPSC

<b>UNSPSC 6.01</b>	30211901
<b>UNSPSC 7.0901</b>	39121501
<b>UNSPSC 11</b>	39121501
<b>UNSPSC 12.01</b>	39121501
<b>UNSPSC 13.2</b>	39121501

# Safety relays - PSR-SPP- 24DC/ESD/5X1/1X2/ T 5 - 2981279

## approvals

UL Listed / GOST / cUL Listed / Functional Safety / UL Listed / GOST / cUL Listed / Functional Safety / cULus Listed /

### Approval details

UL Listed

GOST

cUL Listed

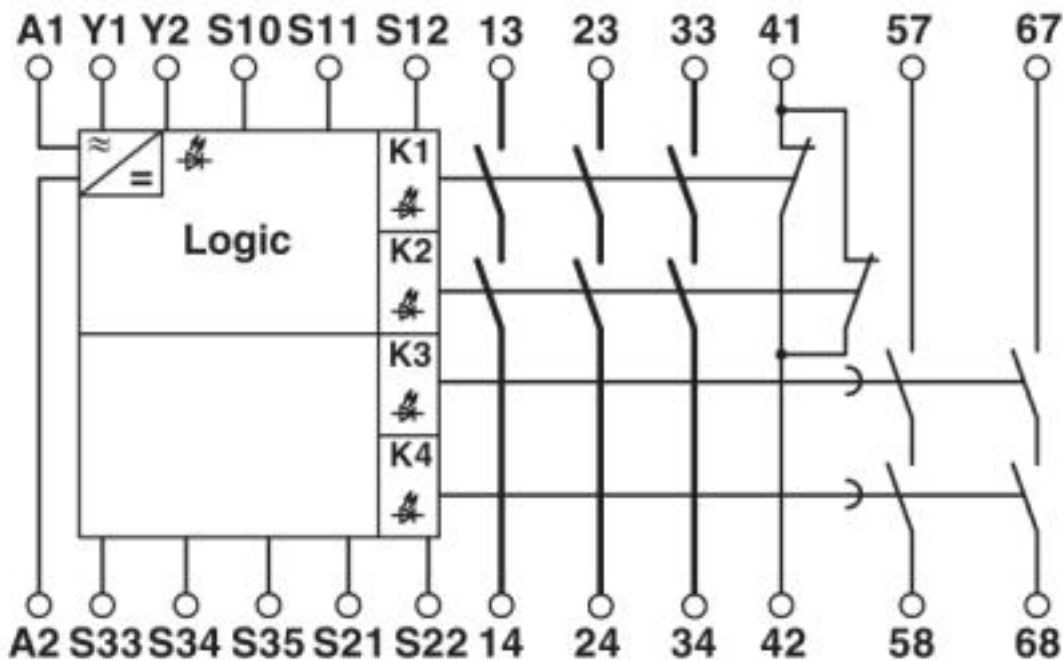
Functional Safety

cULus Listed

### Drawings

# Safety relays - PSR-SPP- 24DC/ESD/5X1/1X2/ T 5 - 2981279

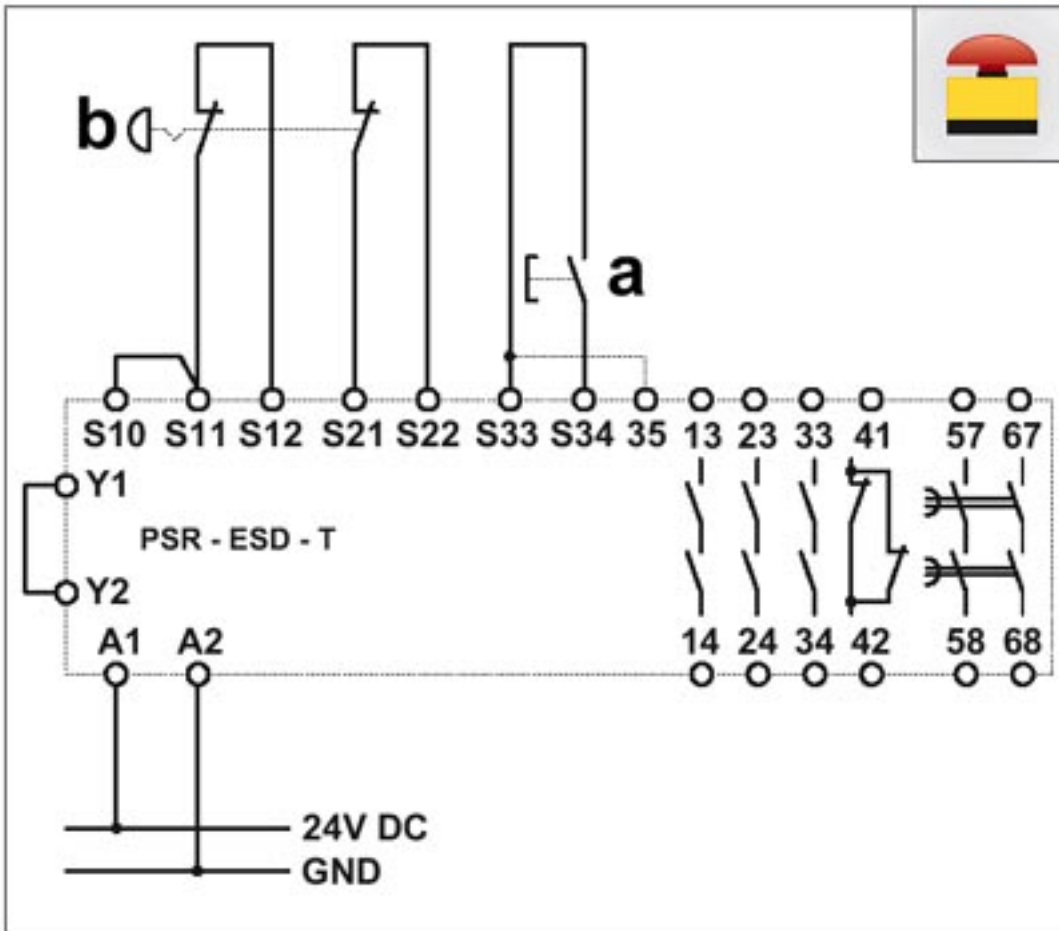
Circuit diagram



1 = logics

# Safety relays - PSR-SPP- 24DC/ESD/5X1/1X2/ T 5 - 2981279

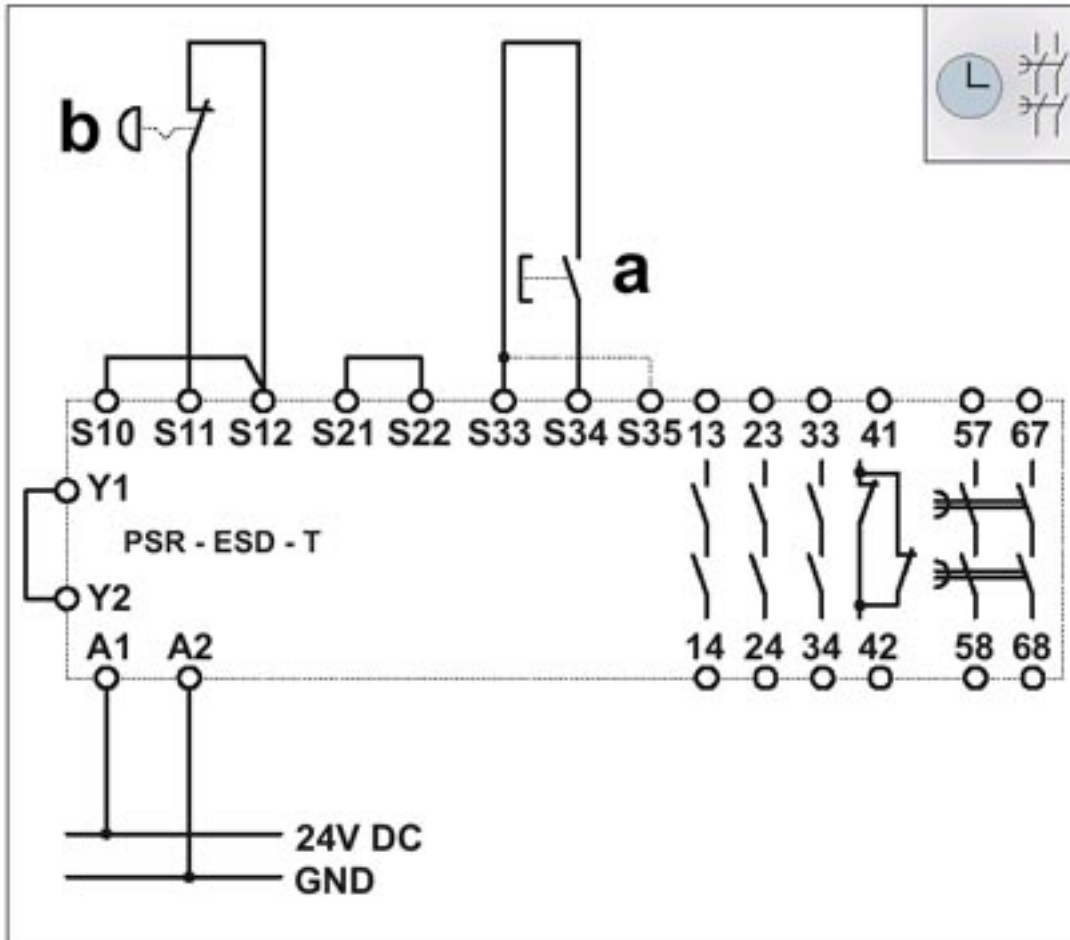
Circuit diagram



a = RESET  
b = Emergency stop  
Two-channel emergency stop circuit with cross circuiting detection and monitored reset button (bridge on S33/S35: Automatic activation), suitable up to safety category 4.

# Safety relays - PSR-SPP- 24DC/ESD/5X1/1X2/ T 5 - 2981279

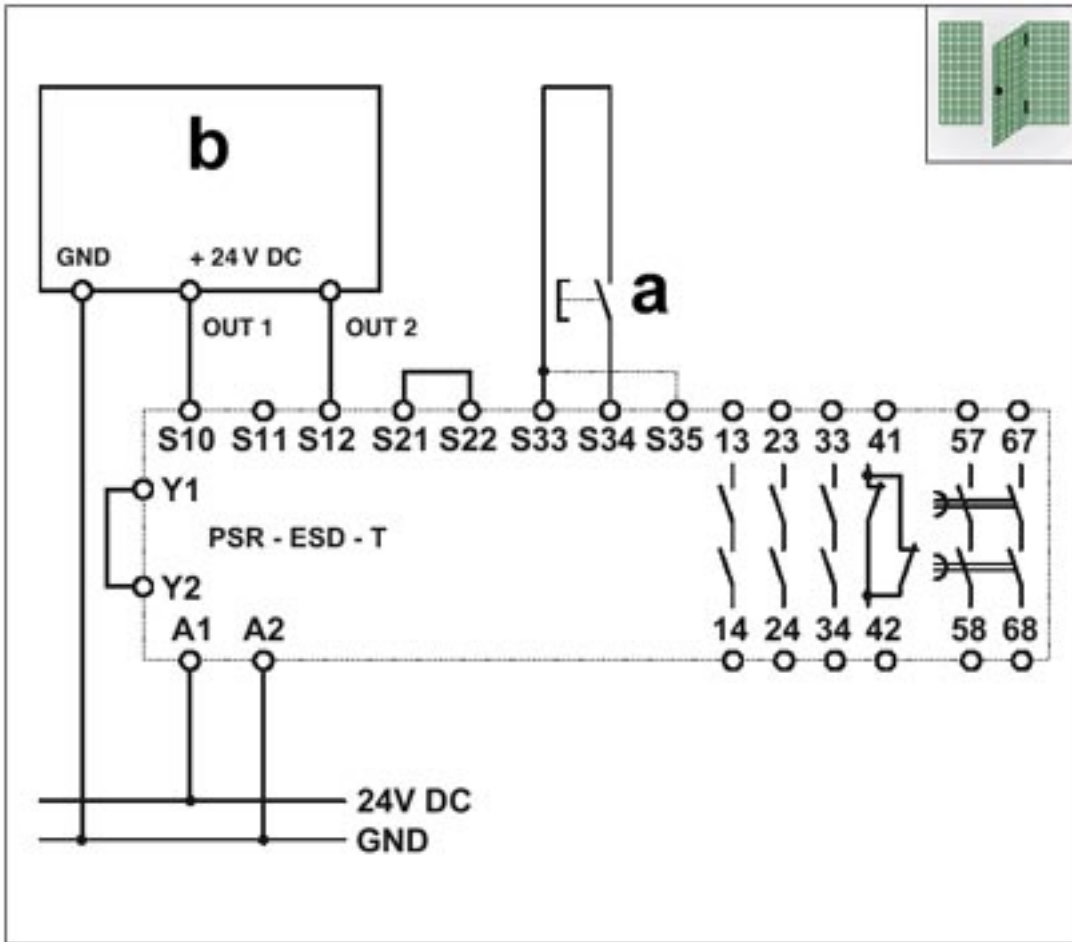
Circuit diagram



a = RESET  
 b = Emergency stop  
 Single-channel emergency stop circuit with monitored reset button (bridge on S33/S35: Automatic activation), suitable up to safety category 2, safety category 4 only when automatically disconnecting switches are used and cables are installed in separate plastic sheaths.

# Safety relays - PSR-SPP- 24DC/ESD/5X1/1X2/ T 5 - 2981279

Circuit diagram

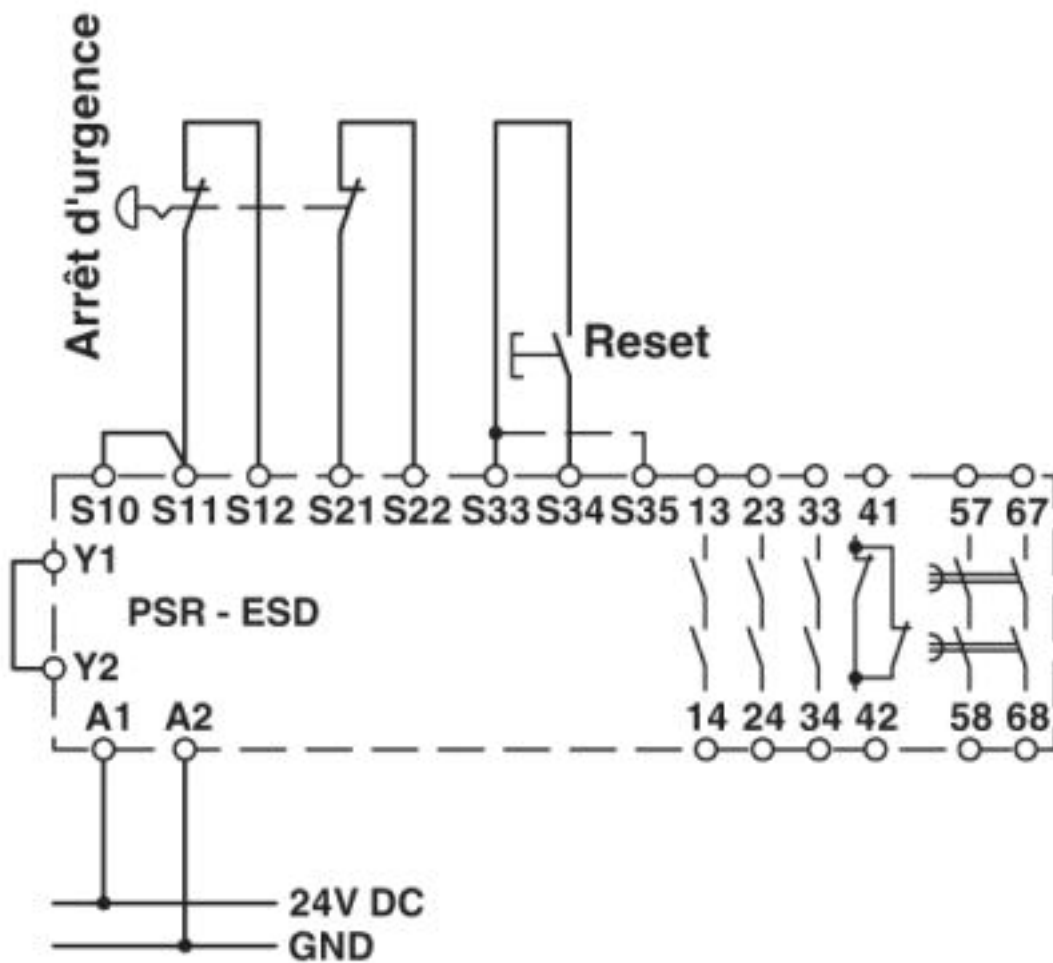


a = RESET  
 b = semiconductor output  
 Two-channel limit switch monitoring with semiconductor output and monitored reset button (bridge on S33/S35: Automatic activation), suitable up to safety category 4 depending on the limit switch.



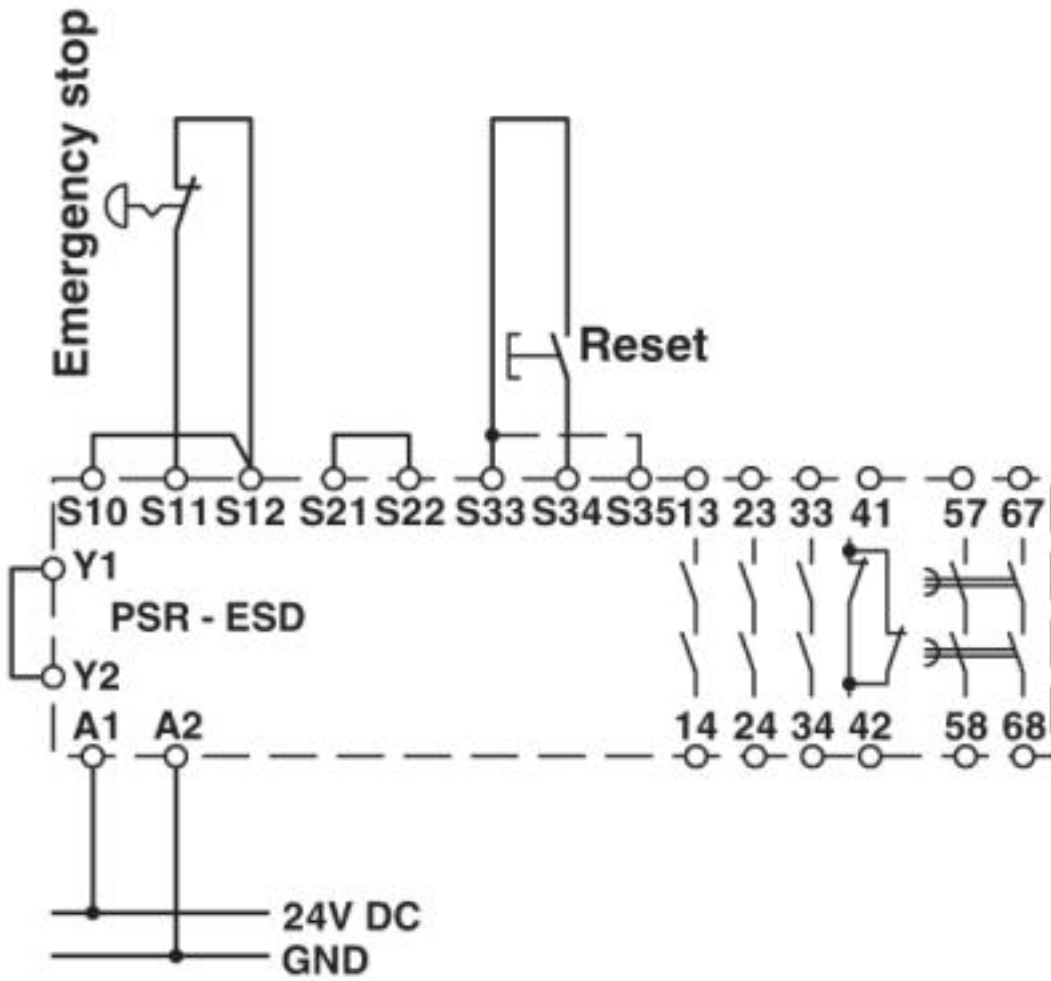
# Safety relays - PSR-SPP- 24DC/ESD/5X1/1X2/ T 5 - 2981279

Circuit diagram



# Safety relays - PSR-SPP- 24DC/ESD/5X1/1X2/ T 5 - 2981279

Circuit diagram



# Safety relays - PSR-SPP- 24DC/ESD/5X1/1X2/ T 5 - 2981279

Circuit diagram

## Semiconductor output

