

# Relay socket - PLC-BSC-120UC/21-21/SO46 - 2980416

Please be informed that the data shown in this PDF Document is generated from our Online Catalog. Please find the complete data in the user's documentation. Our General Terms of Use for Downloads are valid (<http://download.phoenixcontact.com>)



14 mm PLC basic terminal blocks with screw connection and integrated RCZ filter against interference currents and voltages on the control side, 120 V AC input voltage (without relay or optocoupler)

## Product Features

- High relay release voltage
- Resistant to interference currents



## Key commercial data

package_quantity	10
GTIN	4017918921217

## Technical data

Note:

Utilization restriction	EMC: class A product, see manufacturer's declaration in the download area
-------------------------	---

## Dimensions

Width	14 mm
Height	80 mm
Depth	94 mm

## Ambient conditions

Ambient temperature (operation)	-25 °C ... 55 °C
Ambient temperature (storage/transport)	-40 °C ... 85 °C

## Input data

Nominal input voltage $U_N$	120 V AC
Input voltage range in reference to $U_N$	0.78 ... 1.14 (at 20 °C)
Release voltage	typ. 16 V AC
Typical input current at $U_N$	9 mA
Typical response time	7 ms
Typical release time	10 ms
Status display	LED
Protective circuit	Bridge rectifier Bridge rectifier

# Relay socket - PLC-BSC-120UC/21-21/SO46 - 2980416

## Technical data

### Input data

<b>Protective circuit</b>	RCZ filter RCZ filter
---------------------------	-----------------------

### Output data

<b>Compatible components</b>	Miniature relay, REL-MR-110DC/21-21AU, REL-MR-110DC/21-21
------------------------------	---

### Connection data

<b>Conductor cross section solid min.</b>	0.14 mm <sup>2</sup>
<b>Conductor cross section solid max.</b>	2.5 mm <sup>2</sup>
<b>Conductor cross section stranded min.</b>	0.14 mm <sup>2</sup>
<b>Conductor cross section stranded max.</b>	2.5 mm <sup>2</sup>
<b>Conductor cross section AWG/kcmil min.</b>	26
<b>Conductor cross section AWG/kcmil max</b>	14
<b>Connection method</b>	Screw connection
<b>Stripping length</b>	8 mm
<b>Screw thread</b>	M3

### General

<b>Color</b>	green
<b>Operating mode</b>	100% operating factor
<b>Inflammability class according to UL 94</b>	V0
<b>Mounting position</b>	Any
<b>Assembly instructions</b>	In rows with zero spacing

## classifications

### eCl@ss

<b>eCl@ss 4.0</b>	27371102
<b>eCl@ss 4.1</b>	27371102
<b>eCl@ss 5.0</b>	27371603
<b>eCl@ss 5.1</b>	27371603
<b>eCl@ss 6.0</b>	27371603
<b>eCl@ss 7.0</b>	27371603
<b>eCl@ss 8.0</b>	27371603

### ETIM

<b>ETIM 2.0</b>	EC001456
<b>ETIM 3.0</b>	EC001456
<b>ETIM 4.0</b>	EC001456
<b>ETIM 5.0</b>	EC001456

### UNSPSC

<b>UNSPSC 6.01</b>	30211917
<b>UNSPSC 7.0901</b>	39121516
<b>UNSPSC 11</b>	39121516

# Relay socket - PLC-BSC-120UC/21-21/SO46 - 2980416

## classifications

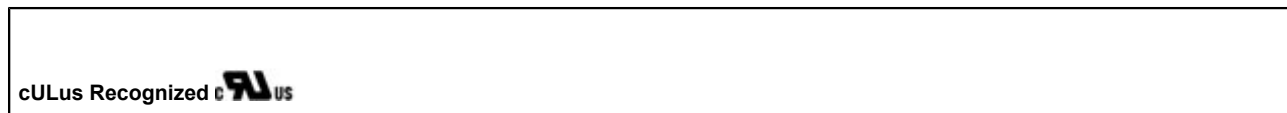
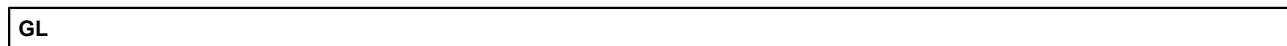
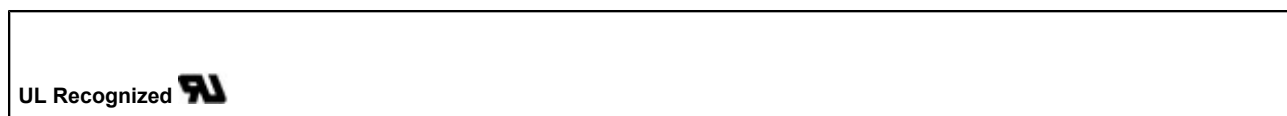
### UNSPSC

UNSPSC 12.01	39121516
UNSPSC 13.2	39121516

## approvals

UL Recognized / cUL Recognized / GL / cULus Recognized /

### Approval details



## accessories

### Mounting rail

NS 35/ 7,5 V2A UNPERF 2000MM - 0801377



NS 35/ 7,5 PERF 2000MM - 0801733



## Relay socket - PLC-BSC-120UC/21-21/SO46 - 2980416

### accessories

NS 35/ 7,5 CU UNPERF 2000MM - 0801762



NS 35/15 UNPERF 2000MM - 1201714



NS 35/15 CU UNPERF 2000MM - 1201895



NS 35/15-2,3 UNPERF 2000MM - 1201798



NS 35/15 AL UNPERF 2000MM - 1201756



NS 35/15 PERF 2000MM - 1201730



# Relay socket - PLC-BSC-120UC/21-21/SO46 - 2980416

accessories

---

NS 35/ 7,5 UNPERF 2000MM - 0801681



---

## Terminal marking

ZB10/WH-100:UNBEDRUCKT - 5060883



---

ZB 10:UNBEDRUCKT - 1053001



---

## Labeled terminal marker

ZB10,LGS:FORTL.ZAHLEN - 1053014



---

## Partition plate

PLC-ATP BK - 2966841



# Relay socket - PLC-BSC-120UC/21-21/SO46 - 2980416

accessories

## Power module

PLC-ESK GY - 2966508



---

## Screwdriver tools

SZF 1-0,6X3,5 - 1204517



---

## Bridge

FBST 500-PLC RD - 2966786



---

FBST 500-PLC BU - 2966692



---

FBST 500-PLC GY - 2966838



## Relay socket - PLC-BSC-120UC/21-21/SO46 - 2980416

### accessories

FBST 6-PLC RD - 2966236



FBST 6-PLC BU - 2966812



FBST 6-PLC GY - 2966825



FBST 8-PLC GY - 2967688



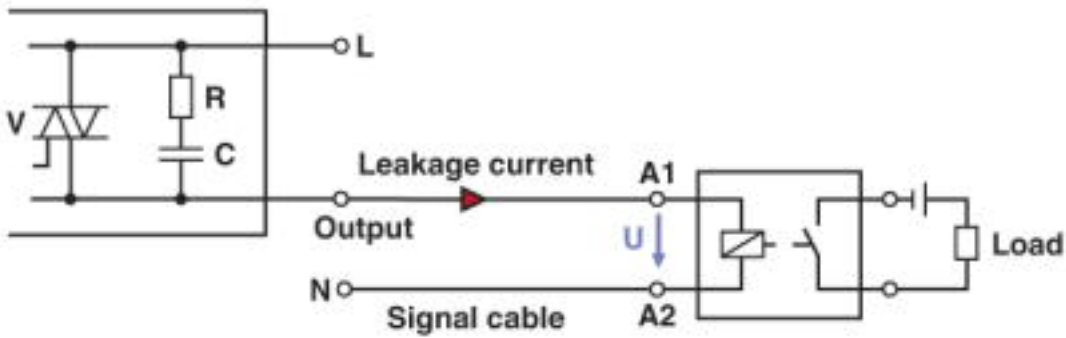
FBST 14-PLC BK - 2967691



### Drawings

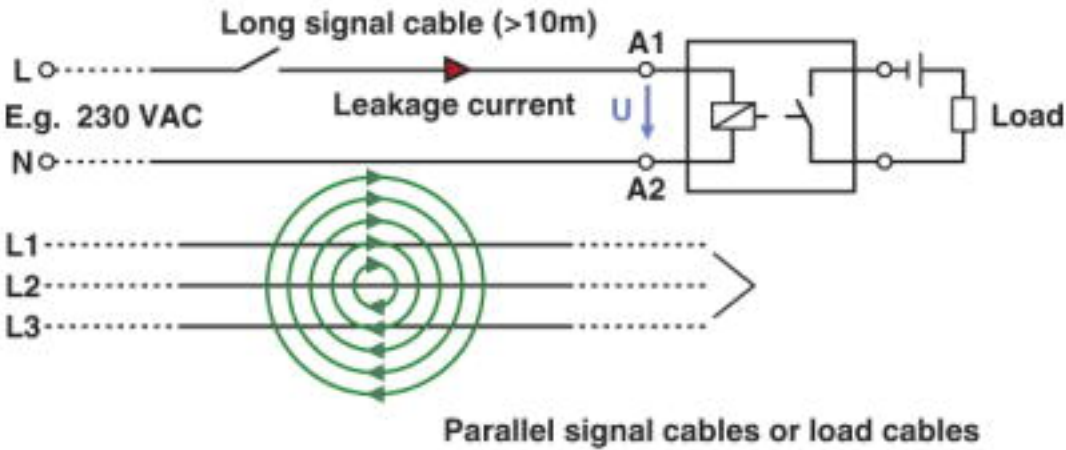
# Relay socket - PLC-BSC-120UC/21-21/SO46 - 2980416

Application drawing



Occurrence of interference signals Scenario 1: controller - AC output card

Application drawing

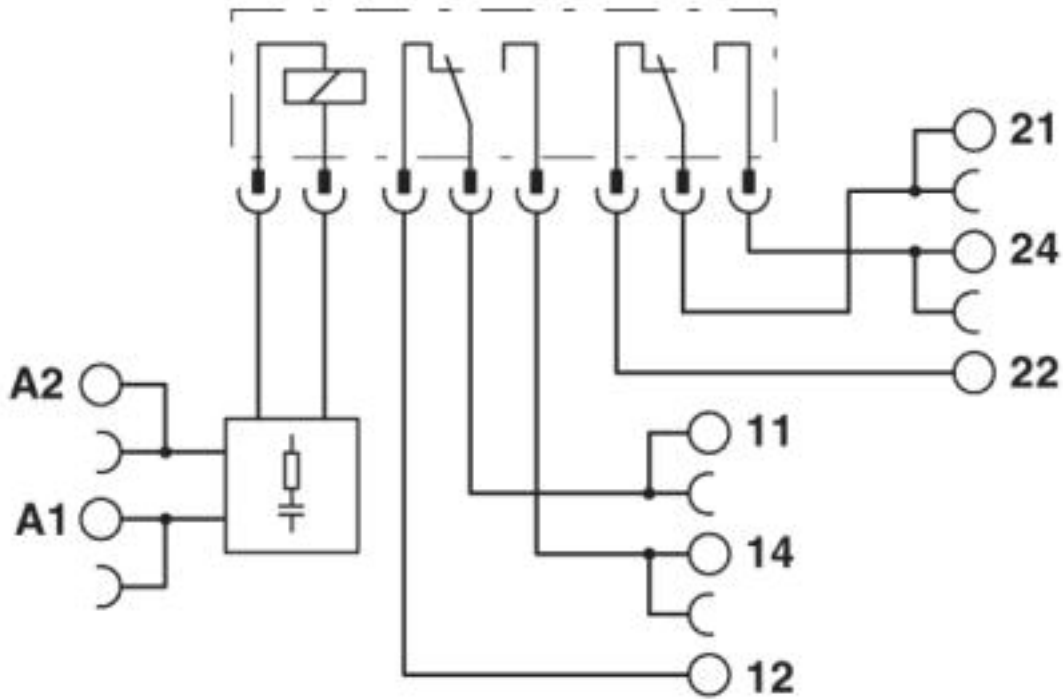


Occurrence of interference signals Scenario 2: long signal cables



# Relay socket - PLC-BSC-120UC/21-21/SO46 - 2980416

Circuit diagram



© Phoenix Contact 2013 - all rights reserved  
<http://www.phoenixcontact.com>