

Solid-state relay terminal block - DEK-OE-230AC/ 48DC/100 - 2940210

Please be informed that the data shown in this PDF Document is generated from our Online Catalog. Please find the complete data in the user's documentation. Our General Terms of Use for Downloads are valid (<http://download.phoenixcontact.com>)



Input solid-state relay terminal block, input: 230 V AC, output: 3 - 48 V DC/100 mA, terminal block width: 6.2 mm

The illustration shows the version DEK-OE- 24DC/48DC/100

Product Features

- Actuator version available
- EB-DIK insertion bridges
- Labeling and mounting with user-friendly modular terminal blocks
- Wear-free switching of up to 24 V DC/10 A or 240 V AC/800 mA
- Integrated output protective circuit
- Status indicator
- Integrated input circuit
- Zero voltage switch at AC output
- Electrical isolation between input and output at up to 2.5 kVrms



Key commercial data

package_quantity	10
GTIN	4017918079918

Technical data

Dimensions

Width	6.2 mm
Height	80 mm
Depth	56 mm

Ambient conditions

Ambient temperature (operation)	-20 °C ... 60 °C
Ambient temperature (storage/transport)	-20 °C ... 70 °C

Input data

Nominal input voltage U_N	230 V AC
Input voltage range in reference to U_N	0.9 ... 1.1

Solid-state relay terminal block - DEK-OE-230AC/ 48DC/100 - 2940210

Technical data

Input data

Switching threshold "0" signal, voltage	≤ 92 V
Switching threshold "0" signal in reference to U _N	≤ 0.4
Switching threshold "1" signal voltage	≥ 207 V
Switching threshold "1" signal in reference to U _N	≥ 0.9
Typical input current at U _N	2.5 mA
Typical response time	10 ms
Typical turn-off time	20 ms
Operating voltage display	Yellow LED
Type of protection	Protection against polarity reversal
Type of protection	Surge protection
Transmission frequency	3 Hz

Output data

Output voltage range	3 V DC ... 48 V DC
Limiting continuous current	100 mA
Voltage drop at max. limiting continuous current	≤ 0.9 V
Output circuit	2-conductor floating, 3-conductor ground-referenced
Type of protection	Protection against polarity reversal
Type of protection	Free-wheeling diode
Protective circuit/component	Polarity protection diode
Protective circuit/component	Damping diode
Output resistor	approx. 22 kΩ (for 3-wire operation)

Connection data

Connection method	Screw connection
Stripping length	8 mm
Screw thread	M3
Conductor cross section solid min.	0.2 mm ²
Conductor cross section solid max.	2.5 mm ²
Conductor cross section stranded min.	0.2 mm ²
Conductor cross section stranded max.	2.5 mm ²
Conductor cross section AWG/kcmil min.	24
Conductor cross section AWG/kcmil max	14

General

Test voltage input/output	2.5 kV AC
Mounting position	Any
Assembly instructions	In rows with zero spacing
Operating mode	100% operating factor
Name	Standards/regulations
Standards/regulations	IEC 60664

Solid-state relay terminal block - DEK-OE-230AC/ 48DC/100 - 2940210

Technical data

General

Standards/regulations	EN 50178
Standards/regulations	IEC 62103
Rated surge voltage / insulation	Basic insulation
Pollution degree	2
Surge voltage category	III

classifications

eCl@ss

eCl@ss 4.0	27371102
eCl@ss 4.1	27371102
eCl@ss 5.0	27371001
eCl@ss 5.1	27371001
eCl@ss 6.0	27371001
eCl@ss 7.0	27371001
eCl@ss 8.0	27371001

ETIM

ETIM 2.0	EC001504
ETIM 3.0	EC001504
ETIM 4.0	EC001504
ETIM 5.0	EC001504

UNSPSC

UNSPSC 6.01	30211916
UNSPSC 7.0901	39121542
UNSPSC 11	39121542
UNSPSC 12.01	39121542
UNSPSC 13.2	39121542

approvals

GOST /

Approval details

--

Solid-state relay terminal block - DEK-OE-230AC/ 48DC/100 - 2940210

accessories

Partition plate

D-DEK 1,5 GN - 2716949



Bridge

EB 80- DIK WH - 2715788



EB 80- DIK RD - 2715953



EB 80- DIK BU - 2715940



EB 10- DIK BU - 2716680



Solid-state relay terminal block - DEK-OE-230AC/ 48DC/100 - 2940210

accessories

EB 5- DIK BU - 2716677



EB 4- DIK BU - 2716664



EB 3- DIK BU - 2716651



EB 3- DIK BU - 2716651



EB 10- DIK RD - 2716774



Solid-state relay terminal block - DEK-OE-230AC/ 48DC/100 - 2940210

accessories

EB 5- DIK RD - 2716761



EB 4- DIK RD - 2716758



EB 3- DIK RD - 2716745



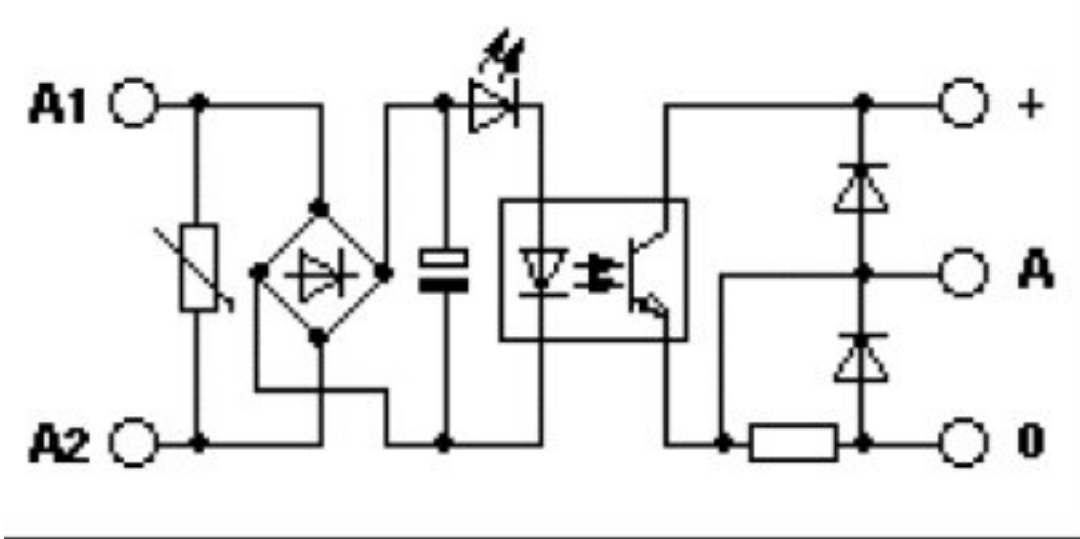
EB 2- DIK RD - 2716693



Drawings

Solid-state relay terminal block - DEK-OE-230AC/ 48DC/100 - 2940210

Circuit diagram



© Phoenix Contact 2013 - all rights reserved
<http://www.phoenixcontact.com>