

Solid-state relay module - PLC-OPT- 24DC/TTL - 2900363

Please be informed that the data shown in this PDF Document is generated from our Online Catalog. Please find the complete data in the user's documentation. Our General Terms of Use for Downloads are valid (<http://download.phoenixcontact.com>)



PLC solid-state relay with Push-in connection, for mounting on DIN rail NS 35/7.5, input: 24 V DC, output: TTL (5 V DC)

The figure shows a version with a screw connection

Product Features

- 6.2 mm narrow design width
- Resistant to vibrations and shocks
- Screw and spring-cage connection
- Switching power TTL (5 V), fan out = 1
- Status indicator
- Integrated protection circuit
- Bridging options



Key commercial data

package_quantity	10
GTIN	4046356508995

Technical data

Note:

Utilization restriction	EMC: class A product, see manufacturer's declaration in the download area
--------------------------------	---

Dimensions

Width	6.2 mm
Height	80 mm
Depth	86 mm

Ambient conditions

Ambient temperature (operation)	-25 °C ... 60 °C
Ambient temperature (storage/transport)	-40 °C ... 85 °C
Degree of protection	IP20

Input data

Nominal input voltage U_N	24 V DC
--	---------

Solid-state relay module - PLC-OPT- 24DC/TTL - 2900363

Technical data

Input data

Input voltage range in reference to U_N	0.8 ... 1.2
Switching threshold "0" signal in reference to U_N	< 0.4
Switching threshold "1" signal in reference to U_N	> 0.8
Typical input current at U_N	3.4 mA
Typical response time	35 μ s
Typical turn-off time	35 μ s
Operating voltage display	Yellow LED
Type of protection	Protection against polarity reversal
Type of protection	Surge protection
Protective circuit/component	Parallel polarity protection diode
Surge voltage protection	> 33 V
Transmission frequency	1 kHz

Output data

Name	Output data
Output nominal voltage	5 V DC -10%...+20%
Limiting continuous current	(A TTL load (Fan out = 1)/50 mA for switching mode)
Fan out	1
Surge voltage protection	> 8 V
Voltage drop at max. limiting continuous current	< 80 mV
Output circuit	3-conductor, ground-referenced
Type of protection	Protection against polarity reversal
Type of protection	Surge protection
Protective circuit/component	Parallel polarity protection diode

Connection data

Connection method	Push-in connection
Stripping length	8 mm
Conductor cross section solid min.	0.14 mm ²
Conductor cross section solid max.	2.5 mm ²
Conductor cross section stranded min.	0.14 mm ²
Conductor cross section stranded max.	2.5 mm ²
Conductor cross section AWG/kcmil min.	26
Conductor cross section AWG/kcmil max	14

General

Test voltage input/output	2.5 kV _{rms} (50 Hz, 1 min.)
Mounting position	Any
Assembly instructions	In rows with zero spacing
Operating mode	100% operating factor
Inflammability class according to UL 94	V0
Name	Air and creepage distances between the power circuits
Standards/regulations	IEC 60664

Solid-state relay module - PLC-OPT- 24DC/TTL - 2900363

Technical data

General

Standards/regulations	EN 50178
Standards/regulations	IEC 62103
Rated surge voltage / insulation	4 kV / basic insulation
Rated insulation voltage	250 V DC
Pollution degree	2
Surge voltage category	III

classifications

eCl@ss

eCl@ss 4.0	27371001
eCl@ss 4.1	27371001
eCl@ss 5.0	27371001
eCl@ss 5.1	27371001
eCl@ss 6.0	27371001
eCl@ss 7.0	27371001
eCl@ss 8.0	27371001

ETIM

ETIM 4.0	EC000196
ETIM 5.0	EC000196

UNSPSC

UNSPSC 6.01	30211916
UNSPSC 7.0901	39121542
UNSPSC 11	39121542
UNSPSC 12.01	39121542
UNSPSC 13.2	39121542

approvals


UL Listed / cUL Listed / UL Recognized / cUL Recognized / cULus Recognized / cULus Listed /

Approval details



Solid-state relay module - PLC-OPT- 24DC/TTL - 2900363

approvals

UL Recognized 

cUL Recognized 

cULus Recognized 

cULus Listed 

accessories

Mounting rail

NS 35/ 7,5 V2A UNPERF 2000MM - 0801377



NS 35/ 7,5 PERF 2000MM - 0801733



NS 35/ 7,5 CU UNPERF 2000MM - 0801762



Solid-state relay module - PLC-OPT- 24DC/TTL - 2900363

accessories

NS 35/15 UNPERF 2000MM - 1201714



NS 35/15 CU UNPERF 2000MM - 1201895



NS 35/15-2,3 UNPERF 2000MM - 1201798



NS 35/15 AL UNPERF 2000MM - 1201756



NS 35/15 PERF 2000MM - 1201730



NS 35/ 7,5 UNPERF 2000MM - 0801681



Solid-state relay module - PLC-OPT- 24DC/TTL - 2900363

accessories

Power module

PLC-ESK GY - 2966508



Partition plate

PLC-ATP BK - 2966841



Screwdriver tools

SZF 1-0,6X3,5 - 1204517



Bridge

FBST 500-PLC RD - 2966786



Solid-state relay module - PLC-OPT- 24DC/TTL - 2900363

accessories

FBST 500-PLC BU - 2966692



FBST 500-PLC GY - 2966838



FBST 6-PLC RD - 2966236



FBST 6-PLC BU - 2966812



FBST 6-PLC GY - 2966825



FBST 8-PLC GY - 2967688

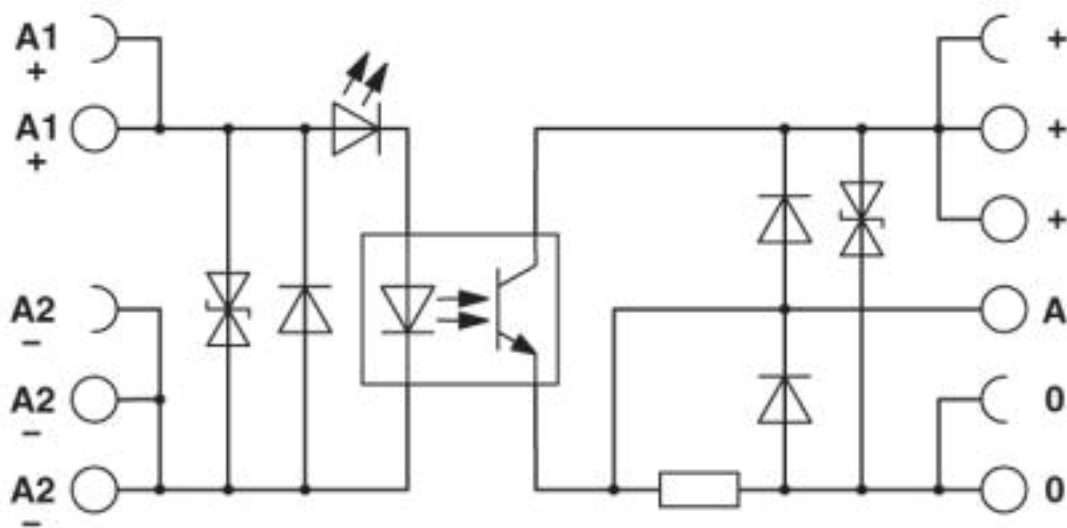


Solid-state relay module - PLC-OPT- 24DC/TTL - 2900363

accessories

Drawings

Circuit diagram



© Phoenix Contact 2013 - all rights reserved
<http://www.phoenixcontact.com>