

# Extension module - PSR-SCP- 24UC/URM4/5X1/2X2/B - 2981033

Please be informed that the data shown in this PDF Document is generated from our Online Catalog. Please find the complete data in the user's documentation. Our General Terms of Use for Downloads are valid (<http://download.phoenixcontact.com>)



Single or two-channel contact extension, 5 N/O contacts, 1 N/C contact, 1 confirmation current path, plug-in screw terminal blocks, width: 22.5 mm

## Product Features

- Five enabling, one signaling, and one confirmation current path
- Up to Cat. 4/PL e according to ISO 13849-1, SILCL 3 according to IEC 62061, SIL 3 according to IEC 61508
- Single and two-channel control



## Key commercial data

package_quantity	1
GTIN	4017918915513

## Technical data

Note:

Utilization restriction	EMC: class A product, see manufacturer's declaration in the download area
-------------------------	---

## Dimensions

Width	22.5 mm
Height	99 mm
Depth	114.5 mm

## Ambient conditions

Ambient temperature (operation)	-20 °C ... 55 °C
Ambient temperature (storage/transport)	-40 °C ... 70 °C
Max. permissible relative humidity (operation)	75 %
Max. permissible humidity (storage/transport)	75 %

## Input data

Nominal input voltage $U_N$	24 V AC/DC
Input voltage range in reference to $U_N$	0.8 ... 1.1
Typical input current at $U_N$	92 mA
Typical response time	20 ms
Typical release time	20 ms

# Extension module - PSR-SCP- 24UC/URM4/5X1/2X2/B - 2981033

## Technical data

### Output data

Contact type	5 enabling current paths
Contact type	1 signaling current path
Contact type	1 confirmation current path
Contact material	AgSnO <sub>2</sub> , + 0.2 µm Au
Maximum switching voltage	250 V AC/DC
Minimum switching voltage	15 V AC/DC
Limiting continuous current	6 A (N/O contact)
Limiting continuous current	3 A (N/C contact)
Maximum inrush current	6 A (N/O contact)
Maximum inrush current	3 A (N/C contact)
Inrush current, minimum	25 mA
Sq. Total current	$72 \text{ A}^2 (I_{TH}^2 = I_1^2 + I_2^2 + \dots + I_5^2)$
Interrupting rating (ohmic load) max.	144 W (24 V DC, $\tau = 0 \text{ ms}$ , N/C contact 11/12, 71/72: 72 W)
Interrupting rating (ohmic load) max.	288 W (48 V DC, $\tau = 0 \text{ ms}$ , N/C contact 11/12, 71/72: 144 W)
Interrupting rating (ohmic load) max.	110 W (110 V DC, $\tau = 0 \text{ ms}$ )
Interrupting rating (ohmic load) max.	88 W (220 V DC, $\tau = 0 \text{ ms}$ )
Interrupting rating (ohmic load) max.	1500 VA (250 V AC, $\tau = 0 \text{ ms}$ , N/C contact 11/12, 71/72: 750 VA)
Maximum interrupting rating (inductive load)	42 W (24 V DC, $\tau = 40 \text{ ms}$ )
Maximum interrupting rating (inductive load)	42 W (48 V DC, $\tau = 40 \text{ ms}$ )
Maximum interrupting rating (inductive load)	42 W (110 V DC, $\tau = 40 \text{ ms}$ )
Maximum interrupting rating (inductive load)	42 W (220 V DC, $\tau = 40 \text{ ms}$ )
Switching capacity min.	0.4 W
Output fuse	6 A fast blow
Output fuse	C6 (24 V AC/DC) automatic device

### General

Relay type	Electromechanically forcibly guided, dust-proof relay.
Mechanical service life	Approx. $10^7$ cycles
Mounting position	Any
Category according to EN 13849-1	4
Stop category	0
Name	Air and creepage distances between the power circuits
Standards/regulations	DIN EN 50178/VDE 0160
Rated surge voltage / insulation	4 kV / basic isolation (safe isolation, increased isolation and 6 kV between A1/A2, 11/12, 23/24, 71/72 and 33/34, 43/44, 53/54, 63/64.)
Rated insulation voltage	250 V
Pollution degree	2
Surge voltage category	III

### Connection data

Conductor cross section solid min.	0.2 mm <sup>2</sup>
Conductor cross section solid max.	2.5 mm <sup>2</sup>

# Extension module - PSR-SCP- 24UC/URM4/5X1/2X2/B - 2981033

## Technical data

### Connection data

Conductor cross section stranded min.	0.2 mm <sup>2</sup>
Conductor cross section stranded max.	2.5 mm <sup>2</sup>
Conductor cross section AWG/kcmil min.	24
Conductor cross section AWG/kcmil max	12
Stripping length	7 mm
Screw thread	M3
Connection method	Screw connection

## classifications

### eCl@ss

eCl@ss 4.0	27371102
eCl@ss 4.1	27371102
eCl@ss 5.0	27371901
eCl@ss 5.1	27371901
eCl@ss 6.0	27371819
eCl@ss 7.0	27371819
eCl@ss 8.0	27371819

### ETIM

ETIM 2.0	EC001449
ETIM 3.0	EC001449
ETIM 4.0	EC001449
ETIM 5.0	EC001449

### UNSPSC

UNSPSC 6.01	30211901
UNSPSC 7.0901	39121501
UNSPSC 11	39121501
UNSPSC 12.01	39121501
UNSPSC 13.2	39121501

## approvals

---

UL Listed / GOST / cUL Listed / Functional Safety / cULus Listed /

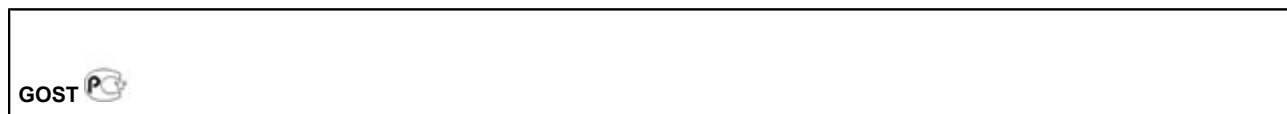
---

### Approval details



# Extension module - PSR-SCP- 24UC/URM4/5X1/2X2/B - 2981033

approvals

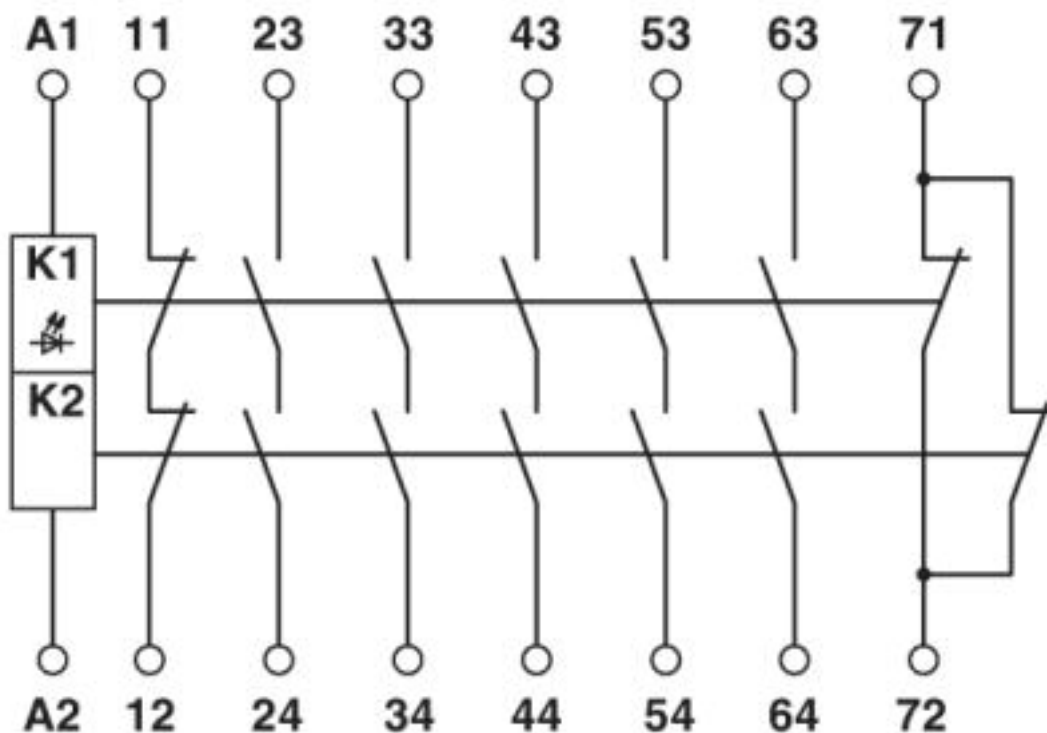


Functional Safety



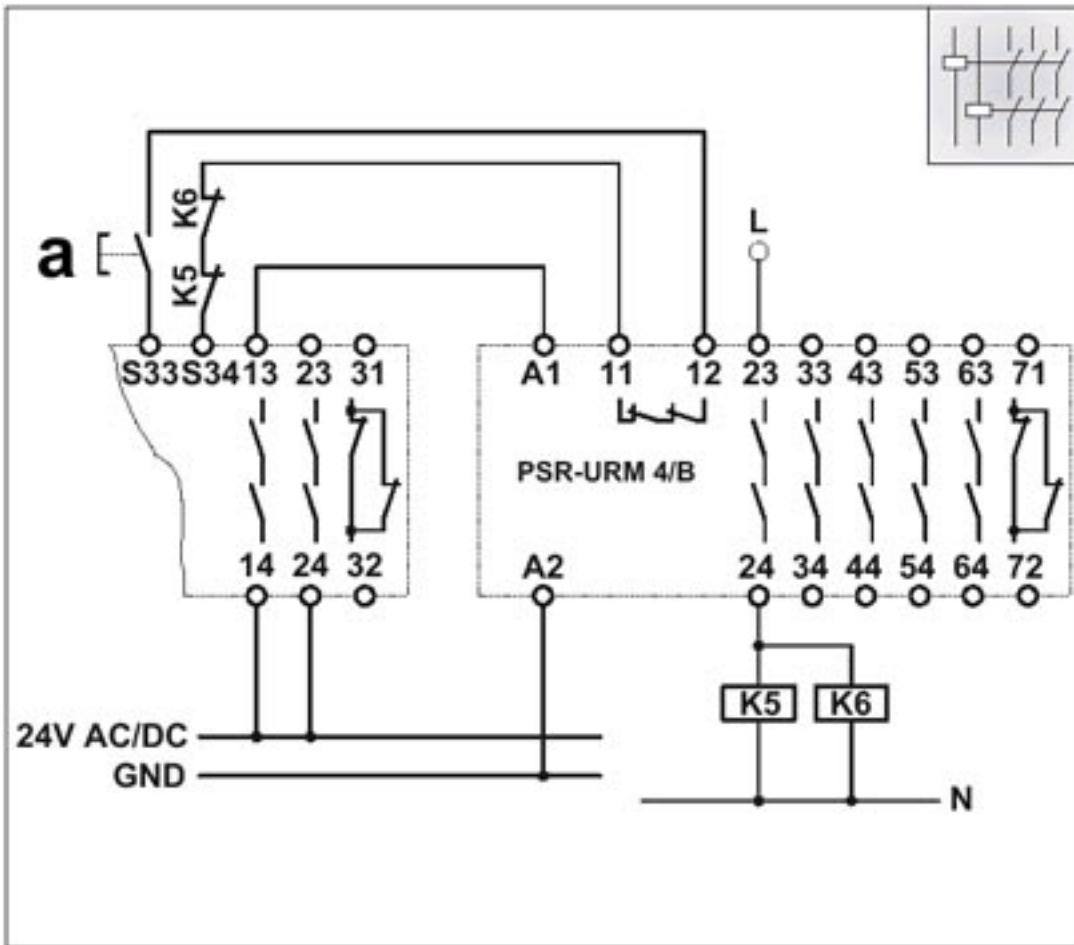
## Drawings

Circuit diagram



# Extension module - PSR-SCP- 24UC/URM4/5X1/2X2/B - 2981033

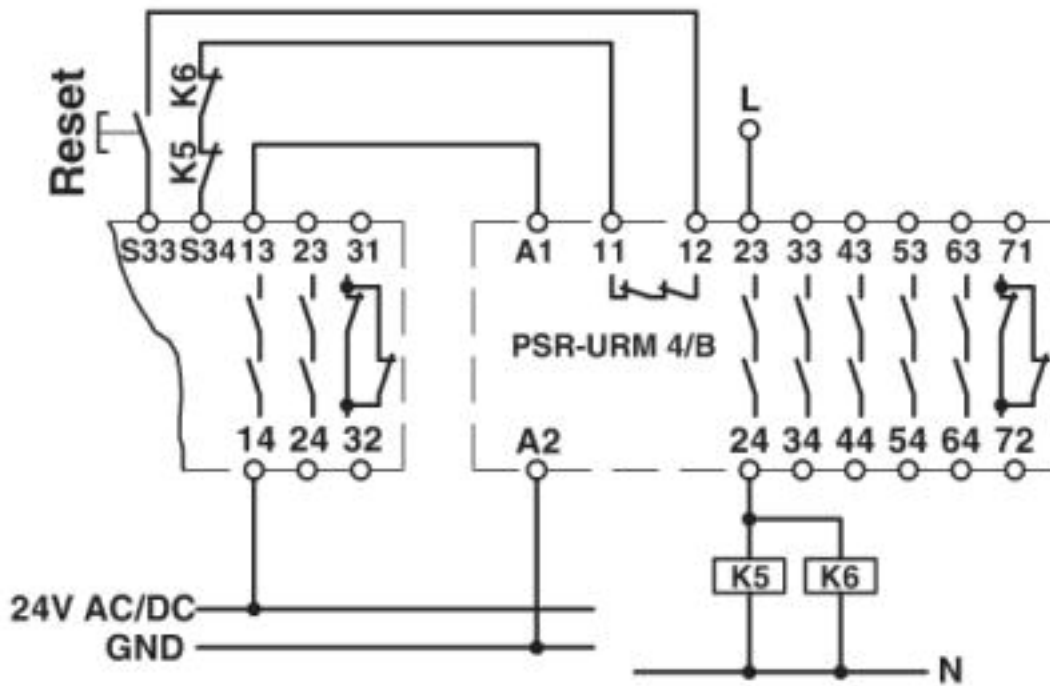
Circuit diagram



a = RESETOne-channel connection with checkback path 11/12 integrated in the basic device, suitable up to safety category 2/4. Depends on the basic device. With externally monitored contacts.

# Extension module - PSR-SCP- 24UC/URM4/5X1/2X2/B - 2981033

Circuit diagram



© Phoenix Contact 2013 - all rights reserved  
<http://www.phoenixcontact.com>