

Sensor/actuator box - PSR-SACB-4/4-L- 5,0PUR-SD - 2981871

Please be informed that the data shown in this PDF Document is generated from our Online Catalog. Please find the complete data in the user's documentation. Our General Terms of Use for Downloads are valid (<http://download.phoenixcontact.com>)



The sensor box PSR-SACB for safety limit switches safely interconnects up to 4 connected limit switches, each with 1 N/C contact and 1 N/O contact, to a safety relay combination, e.g. PSR-SDC4, cable length: 5 m

Product Features

- Safety in the field, thanks to robust housing and high degree of protection
- Flexible, distributed bundling of signals in one master cable
- Convenient: increased machine availability thanks to quick and easy diagnostics

Key commercial data

package_quantity	1
GTIN	4046356167970

Technical data

Dimensions

Width	54 mm
Height	82 mm
Depth	19 mm

Ambient conditions

Ambient temperature (operation)	-20 °C ... 70 °C
Ambient temperature (storage/transport)	-20 °C ... 70 °C
Degree of protection	IP65/67
Ambient temperature (operation)	-30 °C ... 70 °C (for fixed installation)
Ambient temperature (operation)	-5 °C ... 70 °C (for flexible installation)

Supply

Nominal input voltage U_N	24 V DC (from PSR)
Input voltage range in reference to U_N	0.8 ... 1.1

Master cable

Cable type	Master cable suitable for flexible cable conduit
Fixed cable length	5 m
Signal line cross section, stranded	6x 0.34 mm ²
Power supply cross section, stranded	2x 0.75 mm ²
External diameter	8.2 mm

General

Sensor/actuator box - PSR-SACB-4/4-L- 5,0PUR-SD - 2981871

Technical data

General

Number of positions	4
Number of slots	4
Status display	Yellow LED
Max. permissible current	100 mA (per signal output)
Max. permissible total current	100 mA (alarm outputs)
Nominal operating mode	100% operating factor
Mounting position	Any
Assembly instructions	In rows with zero spacing
Name	Air and creepage distances
Standards/regulations	DIN EN 50178
Rated insulation voltage	50 V DC
Pollution degree	2
Surge voltage category	III
Insulating material (housing)	PA 6.6
Inflammability class according to UL 94	V0

classifications

eCl@ss

eCl@ss 4.0	27371102
eCl@ss 4.1	27371102
eCl@ss 5.0	27371901
eCl@ss 5.1	27371901
eCl@ss 6.0	27371819
eCl@ss 7.0	27371819
eCl@ss 8.0	27371819

ETIM

ETIM 2.0	EC000196
ETIM 3.0	EC001449
ETIM 4.0	EC000196
ETIM 5.0	EC002585

UNSPSC


UNSPSC 6.01	30211901
UNSPSC 7.0901	39121501
UNSPSC 11	39121501
UNSPSC 12.01	39121501
UNSPSC 13.2	39121501

approvals

Sensor/actuator box - PSR-SACB-4/4-L- 5,0PUR-SD - 2981871


approvals

Approval details

UL Recognized 

cUL Recognized 

GOST 

cULus Recognized  US

accessories

Short-circuit connector

SAC-2P-M12MS ASI TR - 1539570



Device marking

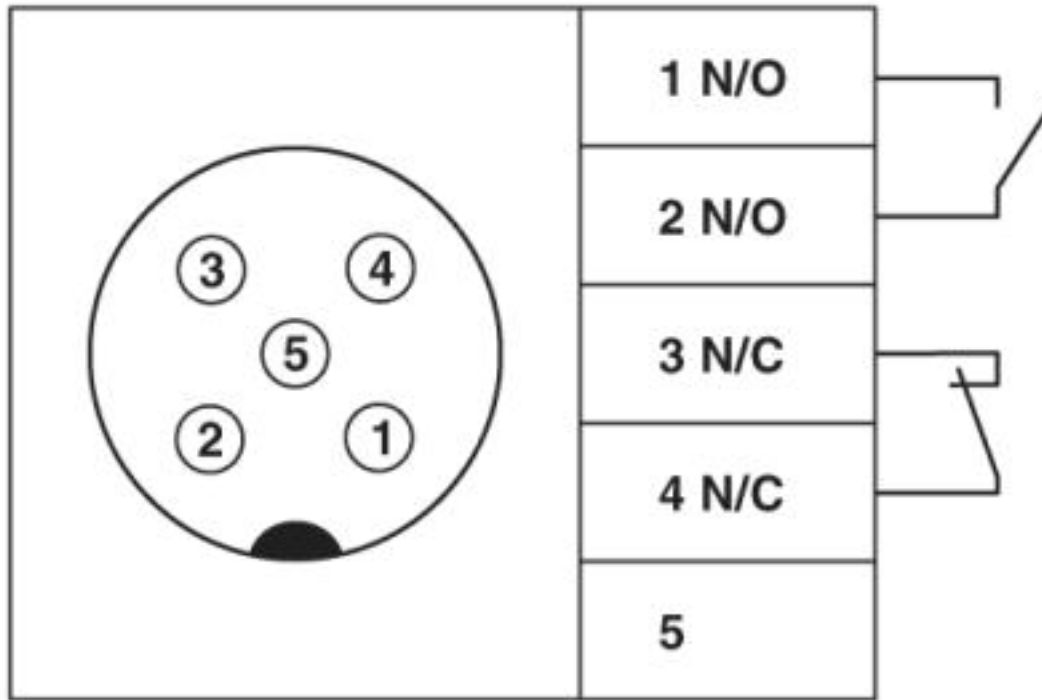
ZBN 18:UNBEDRUCKT - 2809128



Drawings

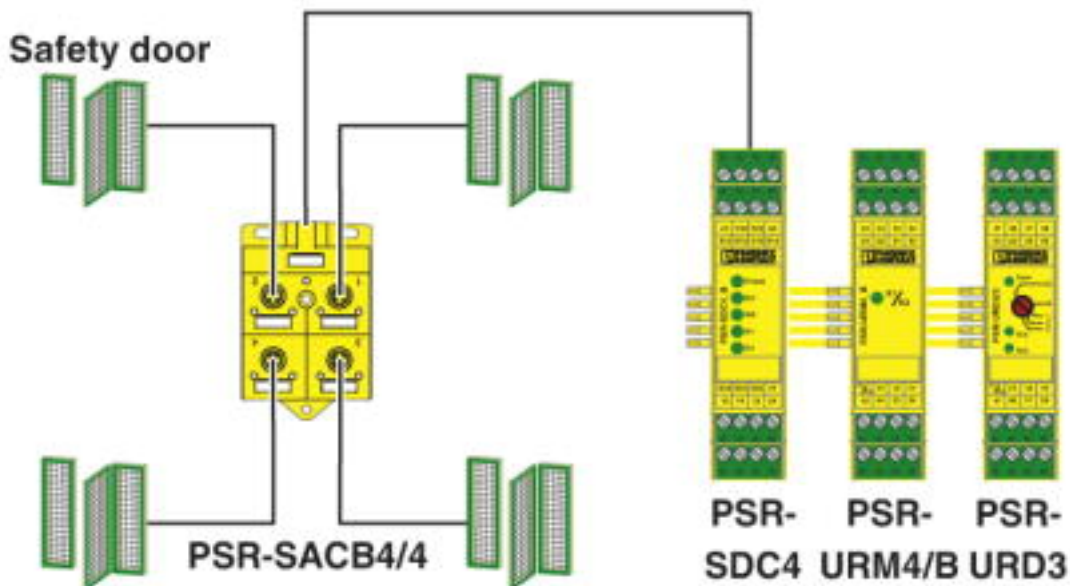
Sensor/actuator box - PSR-SACB-4/4-L- 5,0PUR-SD - 2981871

Connection diagram



Wiring of the M12 contacts (open safety door)

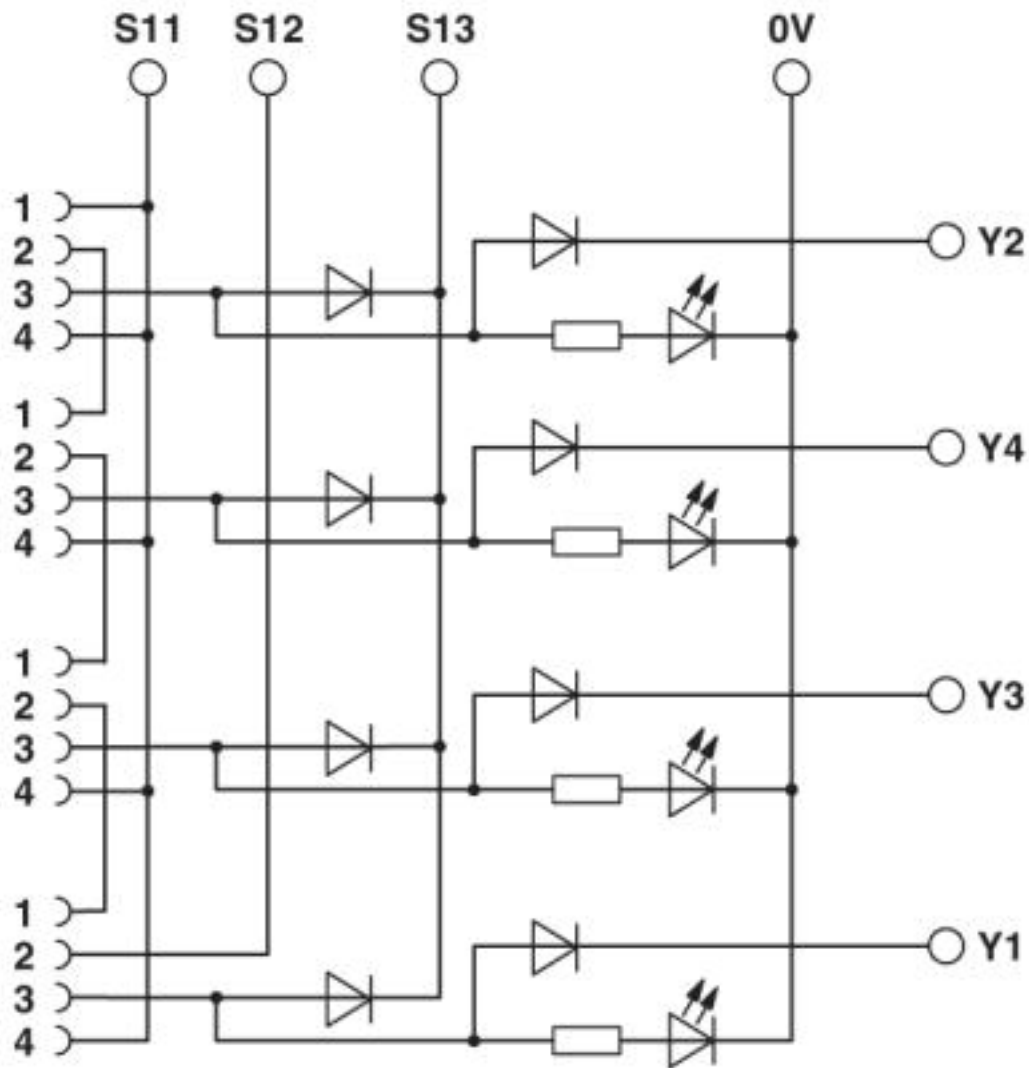
Application drawing



Signals of up to 4 safety door switches can be switched together directly in the field.

Sensor/actuator box - PSR-SACB-4/4-L- 5,0PUR-SD - 2981871

Block diagram



Block diagram

Sensor/actuator box - PSR-SACB-4/4-L- 5,0PUR-SD - 2981871

Dimensioned drawing

