

Switching amplifier - EMG 12-TR/INV - 2943437

Please be informed that the data shown in this PDF Document is generated from our Online Catalog. Please find the complete data in the user's documentation. Our General Terms of Use for Downloads are valid (<http://download.phoenixcontact.com>)



Inverter module. The inverter module inverts the signals of ground switching n-p-n transistor outputs into plus switching p-n-p outputs, and vice versa.



Key commercial data

package_quantity	10
GTIN	4017918081089

classifications

eCl@ss

eCl@ss 4.0	27371102
eCl@ss 4.1	27371102
eCl@ss 5.0	27371001
eCl@ss 5.1	27371001
eCl@ss 6.0	27371001
eCl@ss 7.0	27371001
eCl@ss 8.0	27371001

ETIM

ETIM 2.0	EC001437
ETIM 3.0	EC001437
ETIM 4.0	EC001437
ETIM 5.0	EC001437

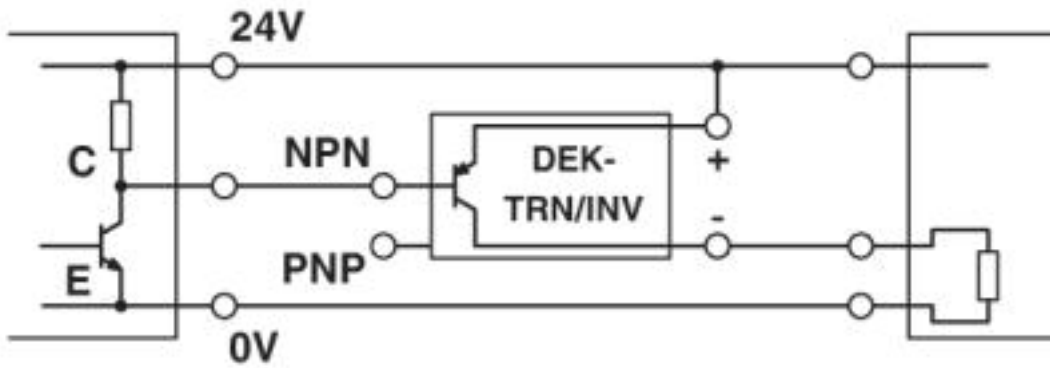
UNSPSC

UNSPSC 6.01	30211916
UNSPSC 7.0901	39121515
UNSPSC 11	39121515
UNSPSC 12.01	39121515
UNSPSC 13.2	39121515

Drawings

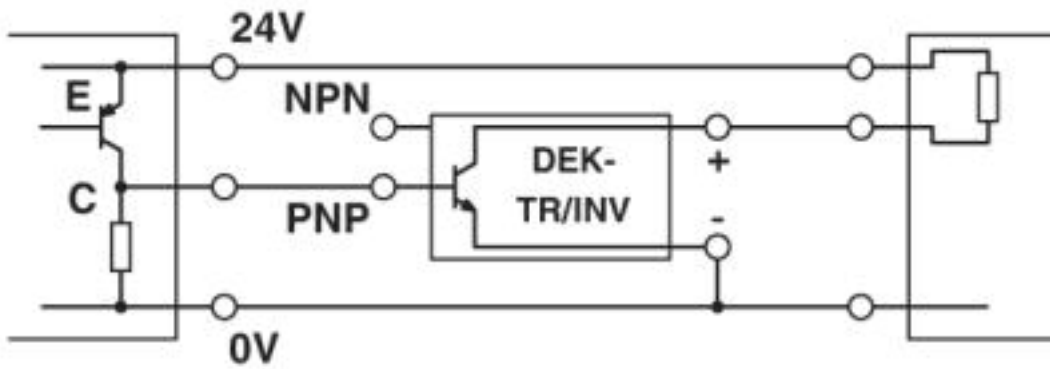
Switching amplifier - EMG 12-TR/INV - 2943437

Application drawing



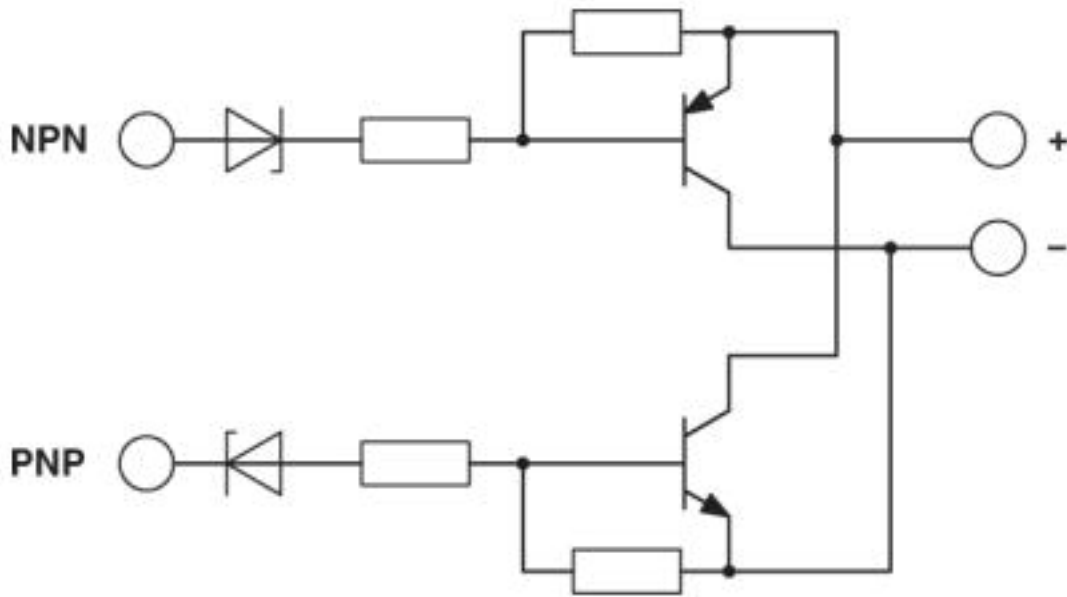
a = NPN output = load

Application drawing



Switching amplifier - EMG 12-TR/INV - 2943437

Circuit diagram



© Phoenix Contact 2013 - all rights reserved
<http://www.phoenixcontact.com>