

Extension module - PSR-SCP- 24UC/URM4/5X1/2X2 - 2963734

Please be informed that the data shown in this PDF Document is generated from our Online Catalog. Please find the complete data in the user's documentation. Our General Terms of Use for Downloads are valid (<http://download.phoenixcontact.com>)



Single-channel or two-channel contact extension, 5 N/O contacts, 1 N/C contact, 1 confirmation current path, together with basic unit up to Cat. 4 PL e according to EN ISO 13849 safe isolation, plug-in terminal blocks, width: 35 mm

Product Features

- Five enabling, one signaling, and one confirmation current path
- Up to Cat. 4/PL e according to ISO 13849-1, SILCL 3 according to IEC 62061, SIL 3 according to IEC 61508
- Single and two-channel control



Key commercial data

| | |
|------------------|---------------|
| package_quantity | 1 |
| GTIN | 4017918591120 |

Technical data

Dimensions

| | |
|--------|----------|
| Width | 35 mm |
| Height | 99 mm |
| Depth | 114.5 mm |

Ambient conditions

| | |
|---|------------------|
| Ambient temperature (operation) | -20 °C ... 55 °C |
| Ambient temperature (storage/transport) | -40 °C ... 70 °C |

Input data

| | |
|---|---------------------|
| Nominal input voltage U_N | 24 V AC/DC |
| Input voltage range in reference to U_N | 0.8 ... 1.1 |
| Typical input current at U_N | 47 mA (per channel) |
| Typical response time | 20 ms |
| Typical release time | 20 ms |
| Concurrence input 1/2 | Infinite |

Output data

| | |
|--------------|-----------------------------|
| Contact type | 5 enabling current paths |
| Contact type | 1 signaling current path |
| Contact type | 1 confirmation current path |

Extension module - PSR-SCP- 24UC/URM4/5X1/2X2 - 2963734

Technical data

Output data

| | |
|---|---|
| Contact material | AgSnO ₂ , + 0.2 µm Au |
| Maximum switching voltage | 250 V AC/DC |
| Minimum switching voltage | 15 V AC/DC |
| Limiting continuous current | 6 A (N/O contact) |
| Limiting continuous current | 3 A (N/C contact 11/12) |
| Maximum inrush current | 6 A |
| Maximum inrush current | 3 A (N/C contact 11/12) |
| Inrush current, minimum | 25 mA |
| Sq. Total current | $72 \text{ A}^2 (I_{TH}^2 = I_1^2 + I_2^2 + \dots + I_5^2)$ |
| Interrupting rating (ohmic load) max. | 144 W (24 V DC, τ = 0 ms, N/C contact 11/12: 72 W) |
| Interrupting rating (ohmic load) max. | 288 W (48 V DC, τ = 0 ms, N/C contact 11/12: 144 W) |
| Interrupting rating (ohmic load) max. | 110 W (110 V DC, τ = 0 ms) |
| Interrupting rating (ohmic load) max. | 88 W (220 V DC, τ = 0 ms) |
| Interrupting rating (ohmic load) max. | 1500 VA (250 V AC, τ = 0 ms, N/C contact 11/12: 750 VA) |
| Maximum interrupting rating (inductive load) | 42 W (24 V DC, τ = 40 ms) |
| Maximum interrupting rating (inductive load) | 42 W (48 V DC, τ = 40 ms) |
| Maximum interrupting rating (inductive load) | 42 W (110 V DC, τ = 40 ms) |
| Maximum interrupting rating (inductive load) | 42 W (220 V DC, τ = 40 ms) |
| Switching capacity min. | 0.4 W |
| Output fuse | 6 A fast blow |
| Output fuse | C6 (24 V AC/DC) automatic device |

General

| | |
|---|--|
| Relay type | Electromechanically forcibly guided, dust-proof relay. |
| Mechanical service life | Approx. 10 ⁷ cycles |
| Mounting position | Any |
| Category according to EN 13849-1 | 4 |
| Stop category | 0 |
| Name | Air and creepage distances between the power circuits |
| Standards/regulations | DIN EN 50178/VDE 0160 |
| Rated surge voltage / insulation | 4 kV / Basic isolation, (safe isolation, reinforced insulation and 6 kV between input circuit and enabling current paths(43/44, 53/54, 63/64, 71/72) and between 43/44, 53/54, 63/64, 71/72 themselves.) |
| Rated insulation voltage | 250 V |
| Pollution degree | 2 |
| Surge voltage category | III |

Connection data

| | |
|--|---------------------|
| Conductor cross section solid min. | 0.2 mm ² |
| Conductor cross section solid max. | 2.5 mm ² |
| Conductor cross section stranded min. | 0.2 mm ² |
| Conductor cross section stranded max. | 2.5 mm ² |

Extension module - PSR-SCP- 24UC/URM4/5X1/2X2 - 2963734

Technical data

Connection data

| | |
|--|------------------|
| Conductor cross section AWG/kcmil min. | 24 |
| Conductor cross section AWG/kcmil max | 12 |
| Stripping length | 7 mm |
| Screw thread | M3 |
| Connection method | Screw connection |

classifications

eCl@ss

| | |
|------------|----------|
| eCl@ss 4.0 | 27371102 |
| eCl@ss 4.1 | 27371102 |
| eCl@ss 5.0 | 27371901 |
| eCl@ss 5.1 | 27371901 |
| eCl@ss 6.0 | 27371819 |
| eCl@ss 7.0 | 27371819 |
| eCl@ss 8.0 | 27371819 |

ETIM

| | |
|----------|----------|
| ETIM 2.0 | EC000196 |
| ETIM 3.0 | EC001449 |
| ETIM 4.0 | EC001449 |
| ETIM 5.0 | EC001449 |

UNSPSC

| | |
|---------------|----------|
| UNSPSC 6.01 | 30211901 |
| UNSPSC 7.0901 | 39121501 |
| UNSPSC 11 | 39121501 |
| UNSPSC 12.01 | 39121501 |
| UNSPSC 13.2 | 39121501 |

approvals

UL Listed / GOST / cUL Listed / cULus Listed / Functional Safety /

Approval details



Extension module - PSR-SCP- 24UC/URM4/5X1/2X2 - 2963734

approvals

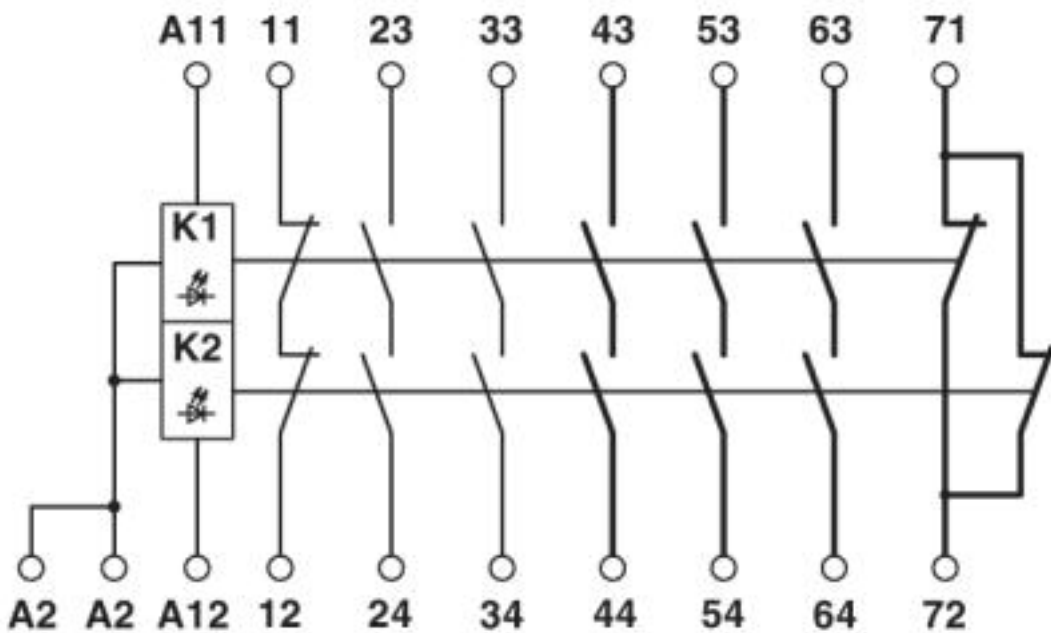
cUL Listed

cULus Listed

Functional Safety

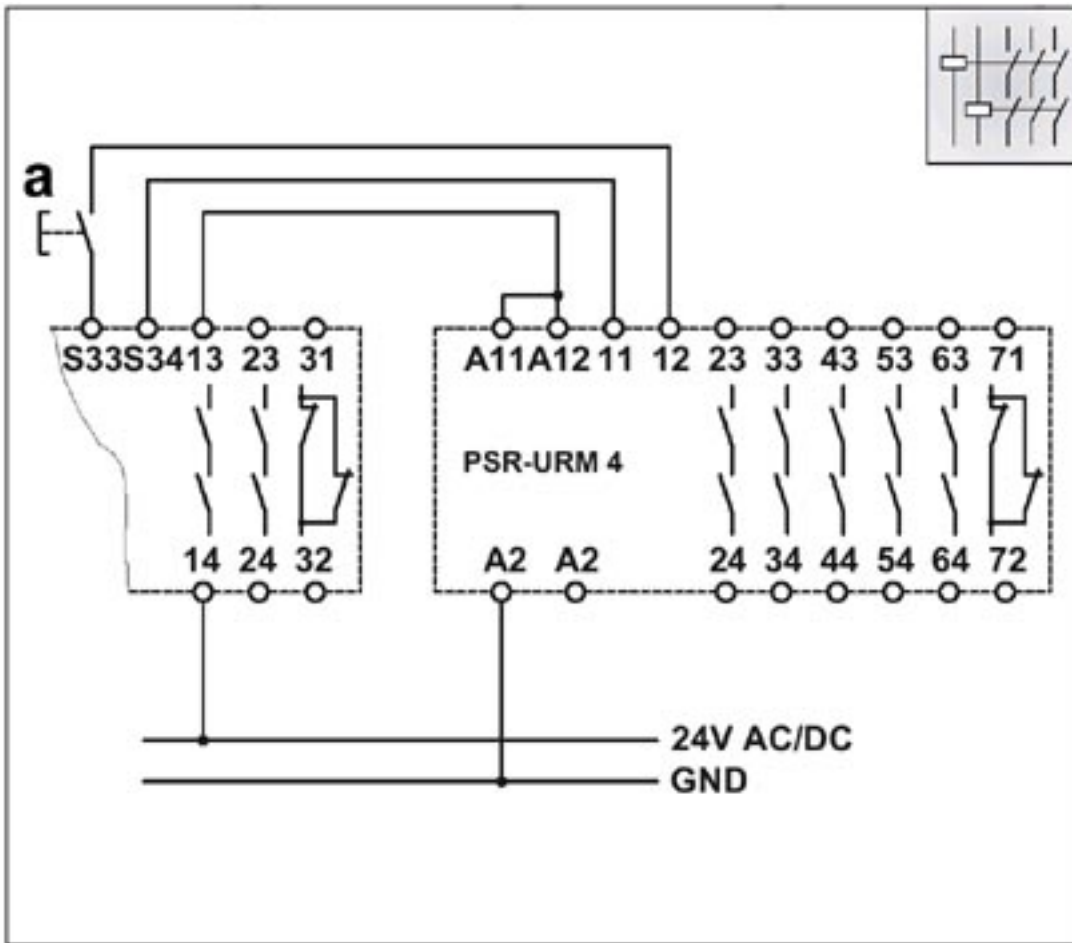
Drawings

Circuit diagram



Extension module - PSR-SCP- 24UC/URM4/5X1/2X2 - 2963734

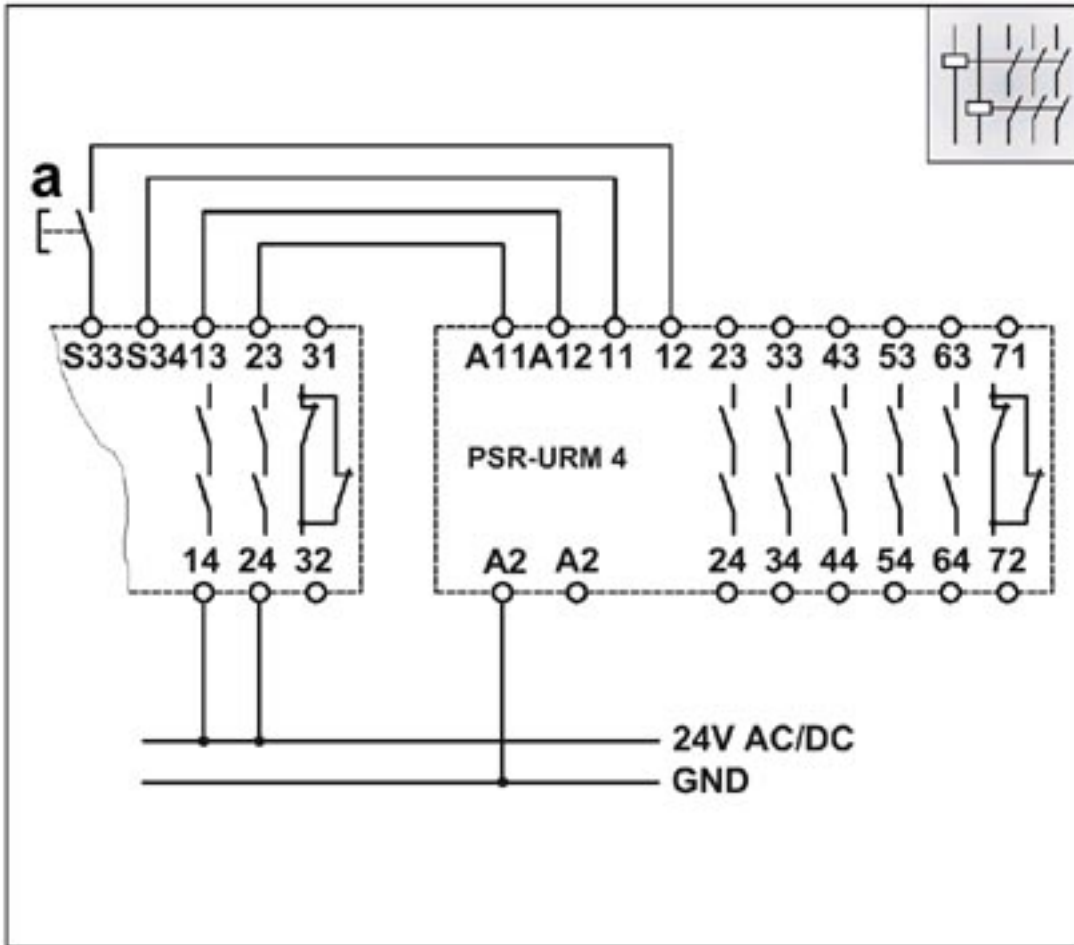
Circuit diagram



a = RESET One-channel connection with checkback path 11/12 integrated in the basic device, suitable up to safety category 4.

Extension module - PSR-SCP- 24UC/URM4/5X1/2X2 - 2963734

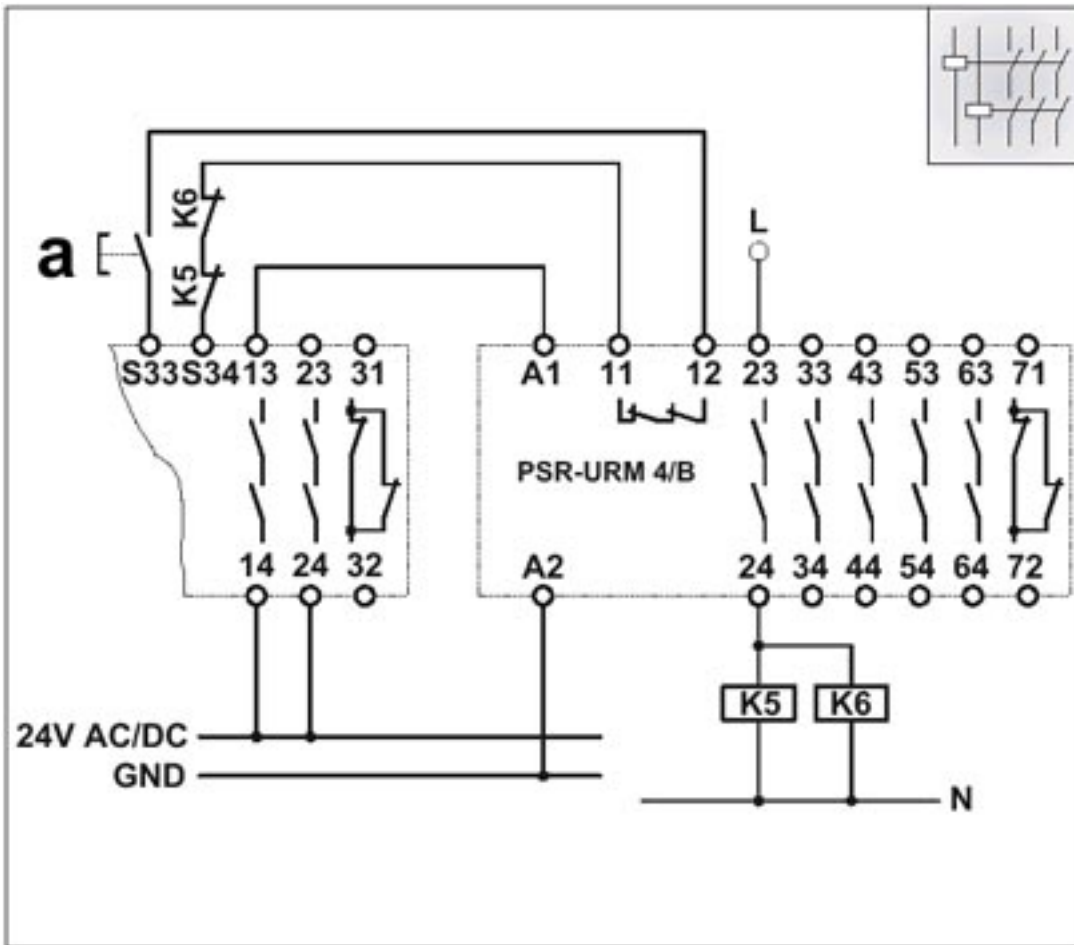
Circuit diagram



a = RESET two-channel connection with checkback path 11/12 integrated in the basic device, suitable up to safety category 4.

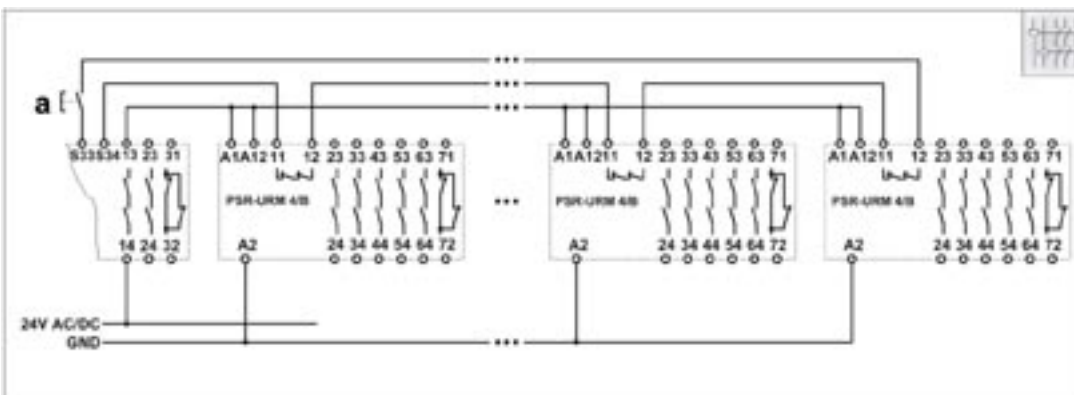
Extension module - PSR-SCP- 24UC/URM4/5X1/2X2 - 2963734

Circuit diagram



a = RESETOne-channel connection with checkback path 11/12 integrated in the basic device, suitable up to safety category 2/4. Depends on the basic device. With externally monitored contacts.

Circuit diagram

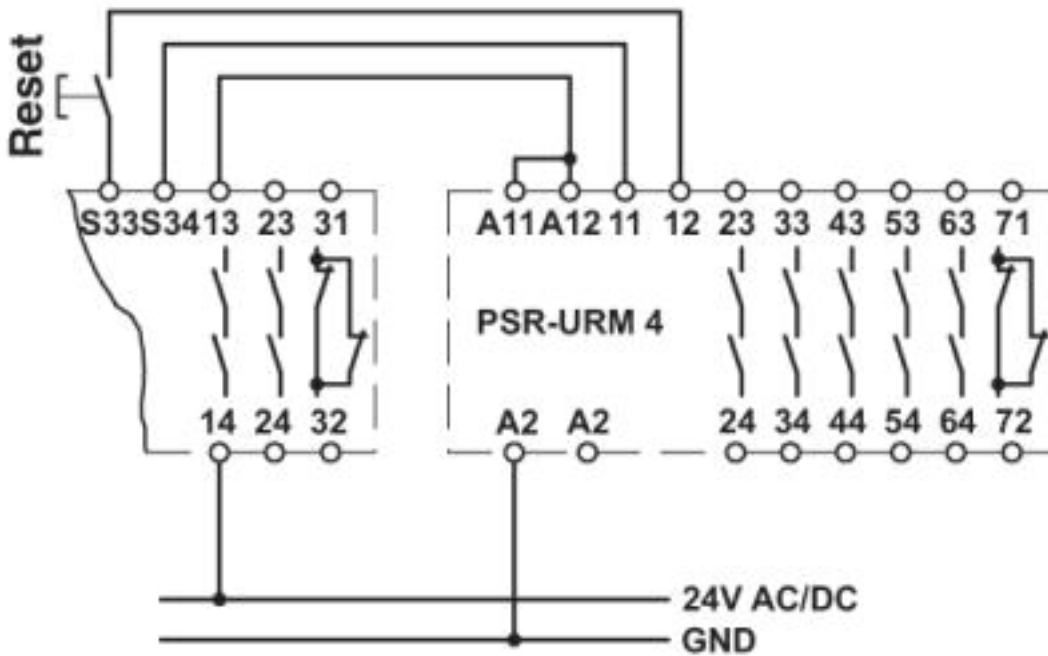


a = RESETOne-channel connection with checkback path 11/12 integrated in the basic device, suitable up to safety category

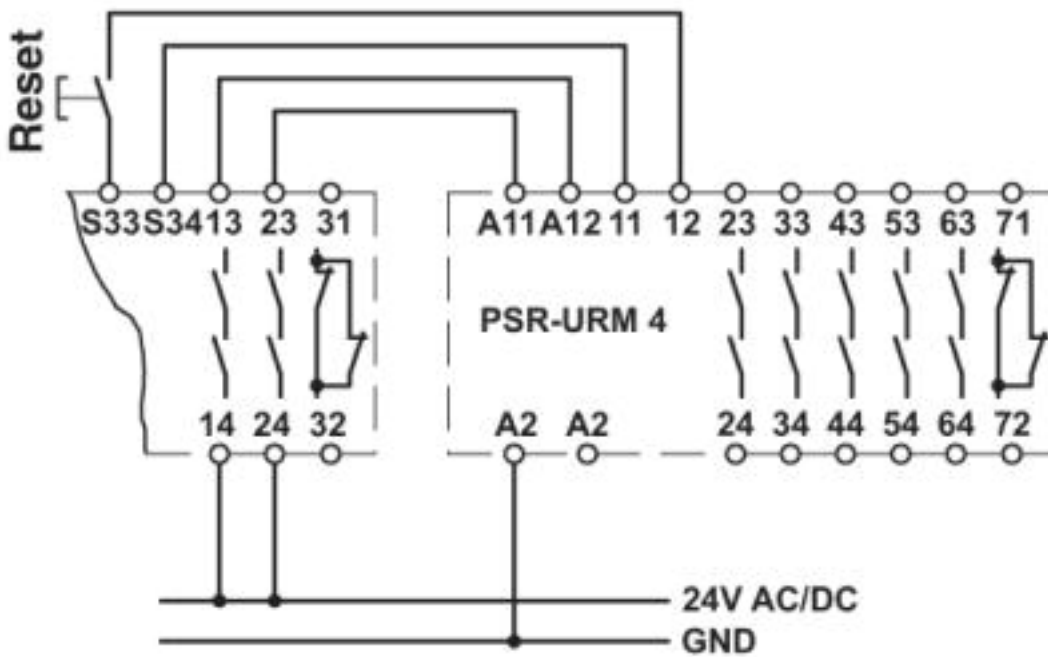
Extension module - PSR-SCP- 24UC/URM4/5X1/2X2 - 2963734

2/4. Depends on the basic device. Connection of several extension modules.

Circuit diagram

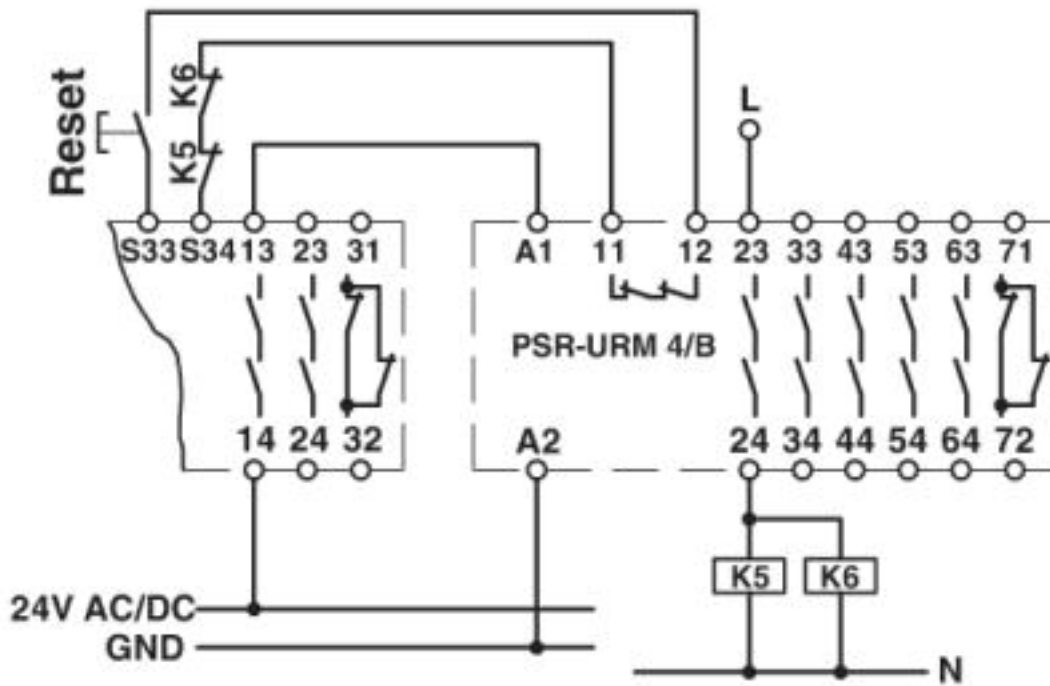


Circuit diagram



Extension module - PSR-SCP- 24UC/URM4/5X1/2X2 - 2963734

Circuit diagram



© Phoenix Contact 2013 - all rights reserved
<http://www.phoenixcontact.com>