

Coupling relay - PSR-SPP- 24DC/ETP/1X1 - 2986562

Please be informed that the data shown in this PDF Document is generated from our Online Catalog. Please find the complete data in the user's documentation. Our General Terms of Use for Downloads are valid (<http://download.phoenixcontact.com>)



Coupling relay for SIL 3 low demand applications, couples digital output signals to the periphery, 1 enabling current path, module for F&G applications, test pulse filter, plug-in spring-cage connection, 17.5 mm width

Product Features

- Narrow 17.5 mm housing
- Up to SIL 3 according to IEC 61508
- Long service life thanks to filtering of controller test pulses
- One enabling current path
- Couples digital output signals from failsafe controllers to I/O devices (valves, etc.) for electrical isolation and power adaptation



Key commercial data

package_quantity	1
GTIN	4046356540780

Technical data

Note:

Utilization restriction	EMC: class A product, see manufacturer's declaration in the download area
-------------------------	---

Dimensions

Width	17.5 mm
Height	112 mm
Depth	114.5 mm

Ambient conditions

Ambient temperature (operation)	-20 °C ... 55 °C
Ambient temperature (storage/transport)	-40 °C ... 65 °C
Max. permissible humidity (storage/transport)	≤ 85 % (Condensation and icing are not permitted based on the average annual temperature)
Max. permissible humidity (storage/transport)	≤ 85 % (On an individual basis, condensation and icing are not permitted)
Shock	15 g
Vibration (operation)	2 g

Input data

Coupling relay - PSR-SPP- 24DC/ETP/1X1 - 2986562

Technical data

Input data

Nominal input voltage U_N	24 V DC
Input voltage range	20.4 V DC ... 26.4 V DC
Input voltage range in reference to U_N	0.85 ... 1.1
Typical input current at U_N	75 mA
Typical inrush current	200 mA
Typical response time	30 ms
Recovery time	1 s

Output data

Contact type	1 enabling current path
Contact material	AgCuNi, + 0.2 μ m Au
Maximum switching voltage	250 V AC (125 V DC)
Minimum switching voltage	15 V AC/DC
Limiting continuous current	5 A (N/O contact, pay attention to the derating)
Maximum inrush current	5 A
Inrush current, minimum	100 mA
Sq. Total current	$25 \text{ A}^2 (I_{TH}^2 = I_1^2 + I_2^2 + \dots + I_N^2)$
Switching capacity min.	1.5 W

General

Relay type	Electromagnetic dust-proof relay
Mechanical service life	Approx. 10^7 cycles
Mounting position	Any
Assembly instructions	In rows with zero spacing
Name	Air and creepage distances between the power circuits
Standards/regulations	DIN EN 50178
Rated surge voltage / insulation	6 kV/safe isolation
Rated insulation voltage	250 V AC
Pollution degree	2
Surge voltage category	III

Connection data

Conductor cross section solid min.	0.2 mm ²
Conductor cross section solid max.	1.5 mm ²
Conductor cross section stranded min.	0.2 mm ²
Conductor cross section stranded max.	1.5 mm ²
Conductor cross section AWG/kcmil min.	24
Conductor cross section AWG/kcmil max	16
Stripping length	8 mm
Connection method	Spring-cage conn.

Coupling relay - PSR-SPP- 24DC/ETP/1X1 - 2986562

classifications

eCl@ss

eCl@ss 4.0	27371102
eCl@ss 4.1	27371102
eCl@ss 5.0	27371901
eCl@ss 5.1	27371901
eCl@ss 6.0	27371819
eCl@ss 7.0	27371819
eCl@ss 8.0	27371819

ETIM

ETIM 2.0	EC001449
ETIM 3.0	EC001449
ETIM 4.0	EC001449
ETIM 5.0	EC001449

UNSPSC

UNSPSC 6.01	30211901
UNSPSC 7.0901	39121501
UNSPSC 11	39121501
UNSPSC 12.01	39121501
UNSPSC 13.2	39121501

approvals

Functional Safety /

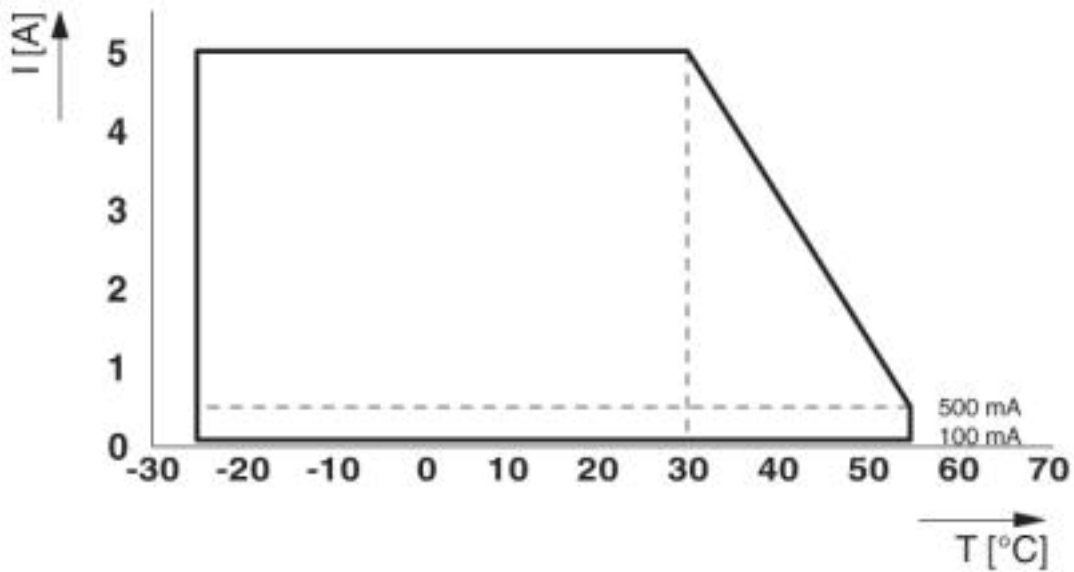
Approval details

Functional Safety

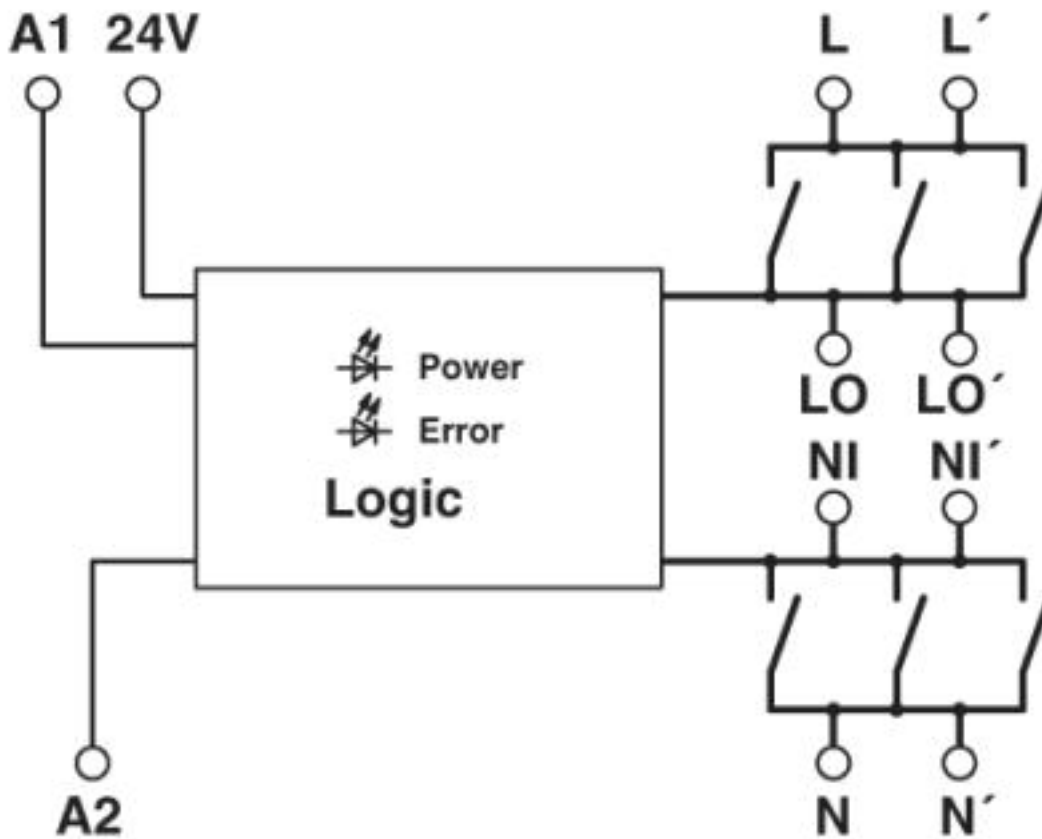
Drawings

Coupling relay - PSR-SPP- 24DC/ETP/1X1 - 2986562

Diagram

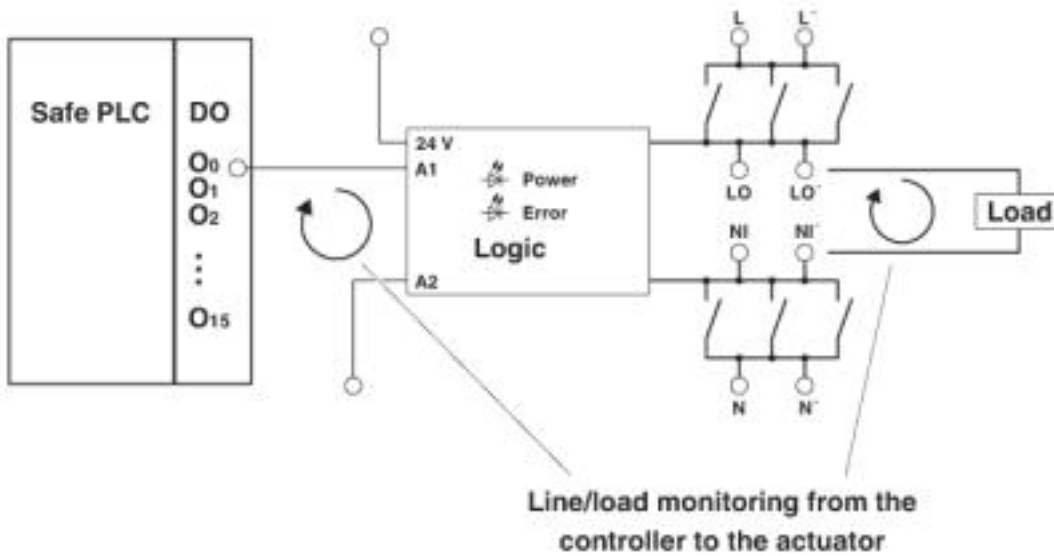


Circuit diagram



Coupling relay - PSR-SPP- 24DC/ETP/1X1 - 2986562

Circuit diagram



© Phoenix Contact 2013 - all rights reserved
<http://www.phoenixcontact.com>