

PV string monitoring module - SCK-C-MODBUS - 2901674

Please be informed that the data shown in this PDF Document is generated from our Online Catalog. Please find the complete data in the user's documentation. Our General Terms of Use for Downloads are valid (<http://download.phoenixcontact.com>)



SCK communication module for acquiring up to 8 x SCK measuring modules, RS-485 Modbus/RTU output

Product Features

- Digital input for monitoring the remote indication contacts of surge protection modules
- Internal temperature monitoring of measuring module
- Measuring modules supplied via the communication module



Key commercial data

package_quantity	1
GTIN	4046356623919

Technical data

Note:

Utilization restriction	EMC: class A product, see manufacturer's declaration in the download area
--------------------------------	---

Dimensions

Width	22.5 mm
Height	102 mm
Depth	106 mm

Ambient conditions

Ambient temperature (operation)	-20 °C ... 70 °C
Ambient temperature (storage/transport)	-40 °C ... 85 °C
Maximum altitude	≤ 2000 m
Degree of protection	IP20

Switching output

Output name	No switching output
--------------------	---------------------

Power supply

Nominal supply voltage	24 V DC -10 % ... +25 %
Max. current consumption	800 mA
Own current consumption	22 mA (typical)

PV string monitoring module - SCK-C-MODBUS - 2901674

Technical data

Power supply

Own current consumption	45 mA (maximum)
Power consumption	580 mW (24 V DC)

Connection data

Connection method	Screw connection
Conductor cross section solid min.	0.2 mm ²
Conductor cross section solid max.	2.5 mm ²
Conductor cross section stranded min.	0.2 mm ²
Conductor cross section stranded max.	2.5 mm ²
Conductor cross section AWG/kcmil min.	24
Conductor cross section AWG/kcmil max	12

General

Pollution degree	2
Standards/regulations	EN 61010-1
Electromagnetic compatibility	Conformance with EMC directive 2004/108/EC and for low-voltage directive 2006/95/EC
Noise emission	EN 61000-6-4
Noise immunity	EN 61000-6-2 When being exposed to interference, there may be minimal deviations.
Mounting position	Any
Assembly instructions	Horizontal or vertical
Conformance	CE-compliant
Torque	0.5 Nm ... 0.6 Nm

classifications

eCl@ss

eCl@ss 4.0	27210902
eCl@ss 4.1	27371105
eCl@ss 5.0	27371801
eCl@ss 5.1	27210902
eCl@ss 6.0	27210902
eCl@ss 7.0	27210902
eCl@ss 8.0	27210902

ETIM

ETIM 3.0	EC001505
ETIM 4.0	EC001423
ETIM 5.0	EC001423

UNSPSC

UNSPSC 6.01	30211506
UNSPSC 7.0901	39121008

PV string monitoring module - SCK-C-MODBUS - 2901674

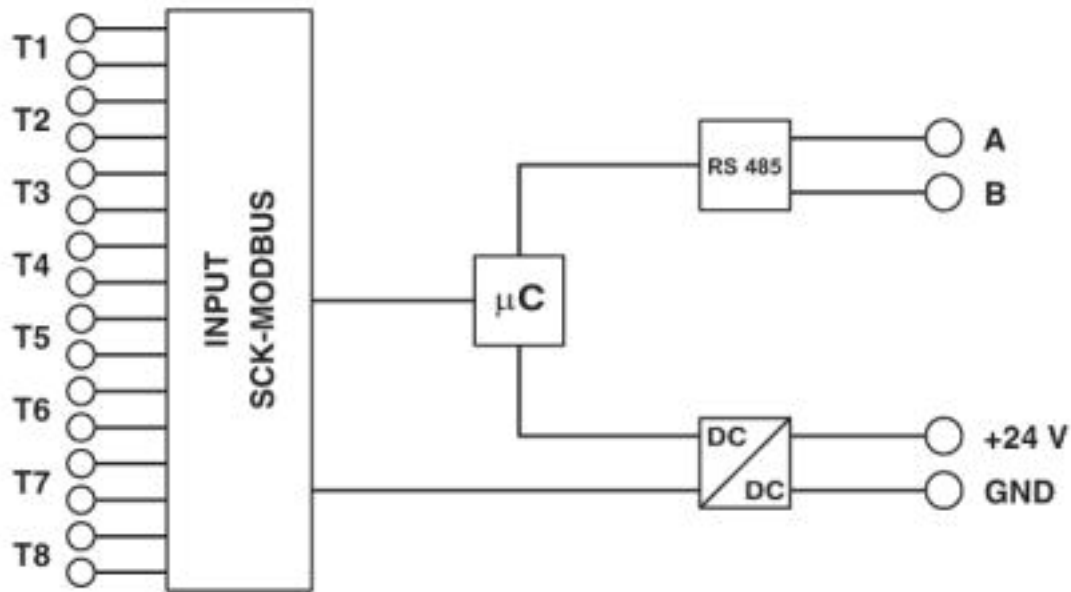
classifications

UNSPSC

UNSPSC 11	39121008
UNSPSC 12.01	39121008
UNSPSC 13.2	39121008

Drawings

Block diagram



© Phoenix Contact 2013 - all rights reserved
<http://www.phoenixcontact.com>