

System connection - PLC-V8/FLK14/IN - 2296553

Please be informed that the data shown in this PDF Document is generated from our Online Catalog. Please find the complete data in the user's documentation. Our General Terms of Use for Downloads are valid (<http://download.phoenixcontact.com>)



V8L-INPUT adapter for eight 6.2 mm PLC interfaces (1 PDT, etc./see "Supplementary Products").
14-pos. flat-ribbon cable connection for the PLC system cabling, control logic: Plus switching

Key commercial data

package_quantity	1
GTIN	4017918189150

Technical data

Dimensions

Width	49.6 mm
Height	100 mm
Depth	94 mm

Ambient conditions

Ambient temperature (operation)	-40 °C ... 70 °C
Ambient temperature (storage/transport)	-40 °C ... 70 °C

General

Nominal voltage U_N	24 V DC \pm 25%
Max. current carrying capacity per branch	1 A (per signal path)
Max. total current of voltage supply	3 A
Number of positions	14
Status display	Green LED
Test voltage	500 V (50 Hz, 1 min.)
Mounting position	Any
Assembly instructions	In rows with zero spacing
Standards/regulations	IEC 60664
Standards/regulations	DIN EN 50178
Standards/regulations	IEC 62103
Inflammability class according to UL 94	V0
Pollution degree	2
Surge voltage category	III
Rated surge voltage	0.8 kV

Connection data for connection 1

System connection - PLC-V8/FLK14/IN - 2296553

Technical data

Connection data for connection 1

Connection name	Power supply
Connection in acc. with standard	IEC / EN
Number of connections	1
Connection method	Screw connection
Conductor cross section solid min.	0.2 mm ²
Conductor cross section solid max.	4 mm ²
Conductor cross section stranded min.	0.2 mm ²
Conductor cross section stranded max.	2.5 mm ²
Conductor cross section AWG/kcmil min.	24
Conductor cross section AWG/kcmil max	12
Stripping length	8 mm
Screw thread	M3

Connection data for connection 2

Connection name	Signal level
Number of connections	1
Connection method	IDC/FLK pin strip (2.54 mm)
Number of positions	14

Supported controller

Control	SIEMENS S7-400
- suitable I/O card	6ES7 421-1BL01-0AA0
Control	GE-FANUC 90-30
- suitable I/O card	IC693 MDL241
- suitable I/O card	IC693 MDL634
- suitable I/O card	IC693 MDL645
- suitable I/O card	IC693 MDL646
Control	ALLEN-BRADLEY ControlLogix
- suitable I/O card	1756-IB32
- suitable I/O card	1756-IB16
Control	ALLEN-BRADLEY PLC 5
- suitable I/O card	1771 IBN
Control	ALLEN-BRADLEY SLC 500
- suitable I/O card	1746 IB16
- suitable I/O card	1746 ITB16
- suitable I/O card	1746 IN16
- suitable I/O card	1746 IB 32
Control	HONEYWELL PlantScape
- suitable I/O card	TC-IDD 321
Control	MITSUBISHI MELSEC Q
- suitable I/O card	QX81
- suitable I/O card	QX82

System connection - PLC-V8/FLK14/IN - 2296553

Technical data

Supported controller

- suitable I/O card	QX82-S1
Control	SIEMENS S7-300 / ET 200 M
- suitable I/O card	CPU 313C-2DP
- suitable I/O card	CPU 314C-2DP
- suitable I/O card	CPU 314C-2PtP
- suitable I/O card	6ES7 321-1BH02-0AA0
- suitable I/O card	6ES7 321-1BL00-0AA0
- suitable I/O card	6ES7 323-1BH01-0AA0
- suitable I/O card	6ES7 323-1BL00-0AA0
- suitable I/O card	6ES7 321-1BH10-0AA0
- suitable I/O card	CPU 313C
- suitable I/O card	CPU 313C-2PtP
Control	Schneider Electric MODICON TSX QUANTUM
- suitable I/O card	DDI 353
- suitable I/O card	DDI 853
Control	ALLEN-BRADLEY ControlLogix
- suitable I/O card	DI810
- suitable I/O card	DI830
- suitable I/O card	DI840
Control	Emerson DeltaV
- suitable I/O card	VE4001S2T2B3
Control	GE-FANUC RX3i
- suitable I/O card	IC694MDL660
Control	YOKOGAWA CENTUM CS3000R3
- suitable I/O card	ADV151
- suitable I/O card	ADV161
Control	YOKOGAWA STARDOM
- suitable I/O card	NFDV151
- suitable I/O card	NFDV161
Control	MITSUBISHI MELSEC L
- suitable I/O card	LX41C4
- suitable I/O card	LX42C4

classifications

eCl@ss

eCl@ss 4.0	27250313
eCl@ss 4.1	27250313
eCl@ss 5.0	27250313
eCl@ss 5.1	27250313
eCl@ss 6.0	27242208

System connection - PLC-V8/FLK14/IN - 2296553

classifications

eCl@ss

eCl@ss 7.0	27242208
eCl@ss 8.0	27242208

ETIM

ETIM 2.0	EC001423
ETIM 3.0	EC001423
ETIM 4.0	EC001423
ETIM 5.0	EC001423

UNSPSC

UNSPSC 6.01	30211824
UNSPSC 7.0901	39121402
UNSPSC 11	39121402
UNSPSC 12.01	39121402
UNSPSC 13.2	39121402

approvals

UL Recognized / UL Listed / cUL Recognized / GOST / cUL Listed / GL / cULus Recognized / cULus Listed /

Approval details

UL Recognized

UL Listed

cUL Recognized

GOST

cUL Listed

GL

System connection - PLC-V8/FLK14/IN - 2296553

approvals

cULus Recognized  US

cULus Listed  US

accessories

System cable

CABLE-50/4FLK14/ 2,0M/YUC - 2314655



CABLE-50/4FLK14/ 3,0M/YUC - 2314668



CABLE-50/4FLK14/ 4,0M/YUC - 2314671



CABLE-50/4FLK14/ 6,0M/YUC - 2318978



System connection - PLC-V8/FLK14/IN - 2296553

accessories

CABLE-50/4FLK14/10,0M/YUC - 2314684



CABLE-50/4FLK14/15,0M/YUC - 2322773



CABLE-50/4FLK14/20,0M/YUC - 2314778



FLKMIL-50/4FLK14/EZ-DR/ 100/CS - 2306951



FLKMIL-50/4FLK14/EZ-DR/ 200/CS - 2306304



FLKMIL-50/4FLK14/EZ-DR/ 300/CS - 2306964



System connection - PLC-V8/FLK14/IN - 2296553

accessories

FLKMIL-50/4FLK14/EZ-DR/ 500/CS - 2306977



FLKMIL-50/4FLK14/EZ-DR/ 600/CS - 2318949



FLKMIL-50/4FLK14/EZ-DR/1000/CS - 2306980



FLKMIL-50/4FLK14/EZ-DR/1500/CS - 2301503



FLKMIL-50/4FLK14/EZ-DR/2000/CS - 2301914



System connection - PLC-V8/FLK14/IN - 2296553

accessories

FLKMIL-50/4FLK14/EZ-DR/3000/CS - 2900159



accessories

CABLE-50/4FLK14/28,0M/YUC - 2901386



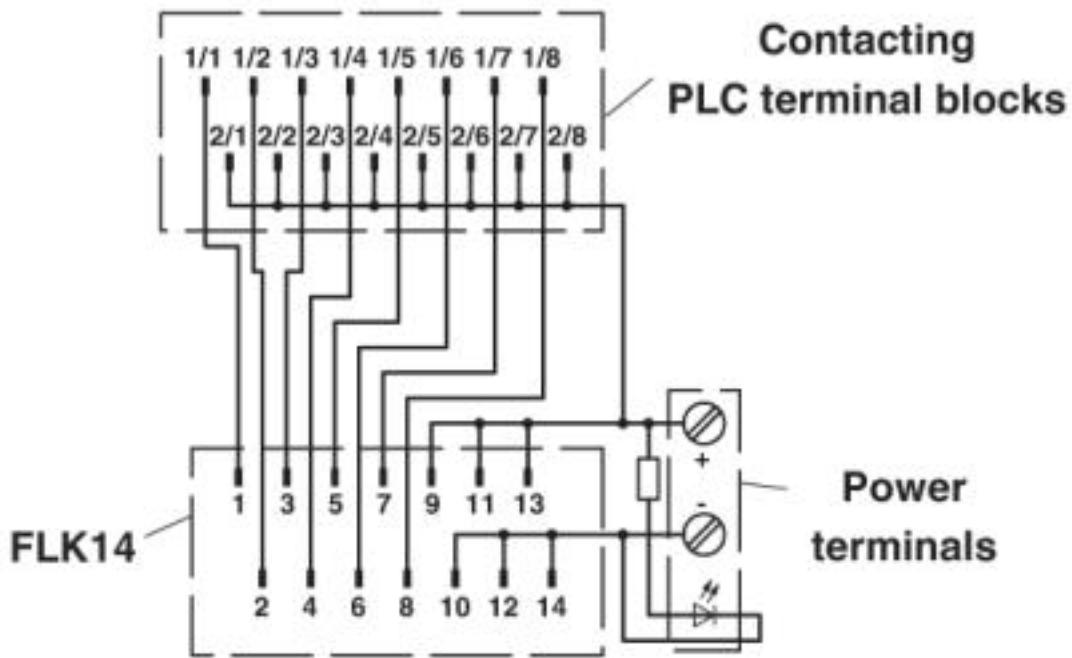
CABLE-50/4FLK14/50,0M/YUC - 2314765



Drawings

System connection - PLC-V8/FLK14/IN - 2296553

Circuit diagram



Connection scheme: PLC-V8/FLK14/IN

© Phoenix Contact 2013 - all rights reserved
<http://www.phoenixcontact.com>