

Timer relay - ETD-SL-1T-DTF - 2866161

Please be informed that the data shown in this PDF Document is generated from our Online Catalog. Please find the complete data in the user's documentation. Our General Terms of Use for Downloads are valid (<http://download.phoenixcontact.com>)



Multi-functional timer relay with 8 functions and an adjustable time range (50 ms - 100 h), wide-range power supply unit, 2 PDTs

Product Description

Increasingly higher demands are being placed on safety and system availability – across all sectors. Processes are becoming more and more complex, not only in mechanical engineering and the chemical industry, but also in plant and automation technology. Demands on power engineering are also increasing constantly. The timer relays in the ETD series can be used to control time sequences in production and process technology.

Product Features

- Universal use thanks to wide range of functions and selectable time ranges
- Time ranges from a few milliseconds to several days
- 2 floating PDT outputs
- Variable supply voltage range



Key commercial data

package_quantity	1
GTIN	4046356046596

Technical data

Note:

Utilization restriction	EMC: class A product, see manufacturer's declaration in the download area
--------------------------------	---

Dimensions

Width	22.5 mm
Height	90 mm
Depth	113 mm

Ambient conditions

Ambient temperature (operation)	-25 °C ... 55 °C
Ambient temperature (operation)	-25 °C ... 40 °C (corresponds to UL 508)
Ambient temperature (storage/transport)	-25 °C ... 70 °C
Permissible humidity (operation)	15 % ... 85 %
Noise immunity	EN 61000-6-2

Timer relay - ETD-SL-1T-DTF - 2866161

Technical data

Coil side

Input voltage range	24 V DC ... 240 V DC -20 % ... +25 %
Input voltage range	24 V AC ... 240 V AC -15 % ... +10 %
Temperature sensitivity	≤ 0.01 %/K
Function	E: With switch-on delay
Function	R: With release delay and control contact
Function	Es: With switch-on delay and control contact
Function	Wu: With single shot leading edge, voltage controlled
Function	Ws: With single shot leading edge and control contact
Function	Wa: With single shot trailing edge and control contact
Function	Bi: Flashing beginning with pulse
Function	Bp: Flashing beginning with pause
Time setting range	50 ms ... 100 h (7 time end ranges)
Recovery time	500 ms

Contact side

Contact type	2 floating PDT contacts
Maximum switching voltage	250 V AC (in acc. with IEC 60664-1)
Interrupting rating (ohmic load) max.	750 VA (3 A/250 V AC, module aligned, ≤ 5 mm spacing)
Interrupting rating (ohmic load) max.	1250 VA (5 A/250 V AC, module not aligned, ≥ 5 mm spacing)
Output fuse	5 A (fast-blow)

General

Status display	Green LED (POWER)
Status display	Yellow LED (relay active)
Mechanical service life	Approx. 2 x 10 ⁷ cycles
Nominal power consumption	2.5 VA (1 W)
Test voltage relay winding/relay contact	4 kV
Mounting position	Any
Assembly instructions	on standard DIN rail NS 35 in accordance with EN 60715
Color	green
Housing insulation material	Polyamide PA, self-extinguishing
Permissible humidity (operation)	15 % ... 85 %
Nominal frequency	48 Hz ... 63 Hz
Rated insulation voltage	300 V (According to EN 50178)
Conformance	CE-compliant
UL, USA / Canada	UL/C-UL listed UL 508

Connection data

Conductor cross section stranded min.	0.5 mm ²
Conductor cross section stranded max.	2.5 mm ²
Conductor cross section solid min.	0.5 mm ²
Conductor cross section solid max.	2.5 mm ²
Conductor cross section AWG/kcmil min.	20

Timer relay - ETD-SL-1T-DTF - 2866161

Technical data

Connection data

Conductor cross section AWG/kcmil max	14
Stripping length	8 mm
Connection method	Screw connection

Control contact

Connection name	Non-floating, terminals A1-B1
Load capacity	Parallel switched minimum load current 1 VA (0.5 W), terminals A2-B1
Control pulse length	min. 70 ms

classifications

eCl@ss

eCl@ss 4.0	27371103
eCl@ss 4.1	27371103
eCl@ss 5.0	27371701
eCl@ss 5.1	27371701
eCl@ss 6.0	27371790
eCl@ss 7.0	27371790
eCl@ss 8.0	27371605

ETIM

ETIM 2.0	EC001439
ETIM 3.0	EC001439
ETIM 4.0	EC001439
ETIM 5.0	EC001439

UNSPSC

UNSPSC 6.01	30211920
UNSPSC 7.0901	39121519
UNSPSC 11	39121519
UNSPSC 12.01	39121519
UNSPSC 13.2	39121519

approvals

UL Listed / cUL Listed / cULus Listed /

Approval details



Timer relay - ETD-SL-1T-DTF - 2866161

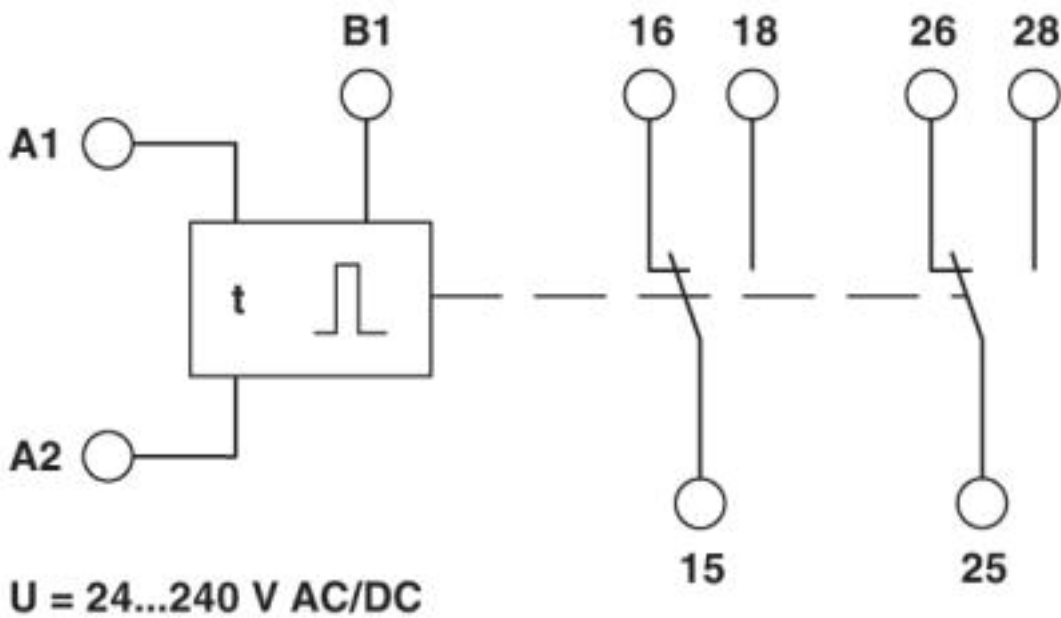
approvals

cUL Listed

cULus Listed

Drawings

Block diagram



© Phoenix Contact 2013 - all rights reserved
<http://www.phoenixcontact.com>