

Relay Module - EMG 10-REL/KSR-120/ 1-LC - 2964432

Please be informed that the data shown in this PDF Document is generated from our Online Catalog. Please find the complete data in the user's documentation. Our General Terms of Use for Downloads are valid (<http://download.phoenixcontact.com>)



Relay module, with soldered-in miniature switching relay, contacts (AgNi): Medium to large loads, 1 N/O contact, input voltage 120 V AC/DC

The illustration shows version EMG 10-REL/KSR-G 24/1-LC, with soldered-in miniature switching relay

Product Features

- Safe isolation according to DIN EN 50178 between coil and contact
- Integrated input circuit and interference suppression circuit



Key commercial data

package_quantity	10
GTIN	4017918125103

Technical data

Note:

Utilization restriction	EMC: class A product, see manufacturer's declaration in the download area
-------------------------	---

Dimensions

Width	10.6 mm
Height	75 mm
Depth	53.5 mm

Ambient conditions

Ambient temperature (operation)	-20 °C ... 40 °C
Ambient temperature (storage/transport)	-20 °C ... 70 °C

Coil side

Nominal input voltage U_N	120 V AC/DC
Input voltage range in reference to U_N	0.8 ... 1.1
Nominal input current at U_{IN}	5 mA
Typical response time	7 ms
Typical release time	11 ms

Relay Module - EMG 10-REL/KSR-120/ 1-LC - 2964432

Technical data

Coil side

Operating voltage display	Yellow LED
Protective circuit	Bridge rectifier Bridge rectifier
Protective circuit	Surge protection Varistor

Contact side

Contact type	Single contact, 1 N/O contact
Contact material	AgNi
Maximum switching voltage	250 V AC/DC
Minimum switching voltage	12 V
Maximum inrush current	8 A
Min. switching current	100 mA
Limiting continuous current	6 A
Interrupting rating (ohmic load) max.	140 W (at 24 V DC)
Interrupting rating (ohmic load) max.	60 W (at 48 V DC)
Interrupting rating (ohmic load) max.	45 W (at 60 V DC)
Interrupting rating (ohmic load) max.	35 W (at 110 V DC)
Interrupting rating (ohmic load) max.	55 W (at 220 V DC)
Interrupting rating (ohmic load) max.	1500 VA (for 250 V AC)

General

Test voltage relay winding/relay contact	4 kV AC (50 Hz, 1 min.)
Operating mode	100% operating factor
Degree of protection	IP20
Mechanical service life	Approx. 2×10^7 cycles
Standards/regulations	IEC 60664
Standards/regulations	EN 50178
Standards/regulations	IEC 62103
Rated surge voltage / insulation	4 kV / basic insulation
Rated insulation voltage	260 V AC
Pollution degree	2
Surge voltage category	III
Mounting position	Any
Assembly instructions	In rows with zero spacing

Connection data

Connection method	Screw connection
Conductor cross section solid min.	0.2 mm ²
Conductor cross section solid max.	4 mm ²
Conductor cross section stranded min.	0.2 mm ²
Conductor cross section stranded max.	2.5 mm ²
Conductor cross section AWG/kcmil min.	24
Conductor cross section AWG/kcmil max	12
Stripping length	8 mm

Relay Module - EMG 10-REL/KSR-120/ 1-LC - 2964432

Technical data

Connection data

Screw thread	M3
--------------	----

classifications

eCl@ss

eCl@ss 4.0	27371102
eCl@ss 4.1	27371102
eCl@ss 5.0	27371001
eCl@ss 5.1	27371001
eCl@ss 6.0	27371001
eCl@ss 7.0	27371001
eCl@ss 8.0	27371001

ETIM

ETIM 2.0	EC000196
ETIM 3.0	EC000196
ETIM 4.0	EC000196
ETIM 5.0	EC000196

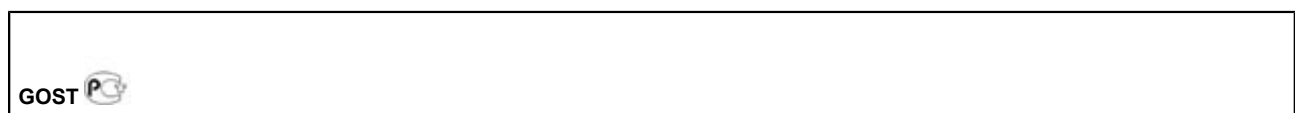
UNSPSC

UNSPSC 6.01	30211916
UNSPSC 7.0901	39121515
UNSPSC 11	39121515
UNSPSC 12.01	39121515
UNSPSC 13.2	39121515

approvals


UL Recognized / cUL Recognized / GOST / cULus Recognized /

Approval details



Relay Module - EMG 10-REL/KSR-120/ 1-LC - 2964432

approvals

cULus Recognized  US

accessories

EMG-SGKS 10 - 2947585



Drawings

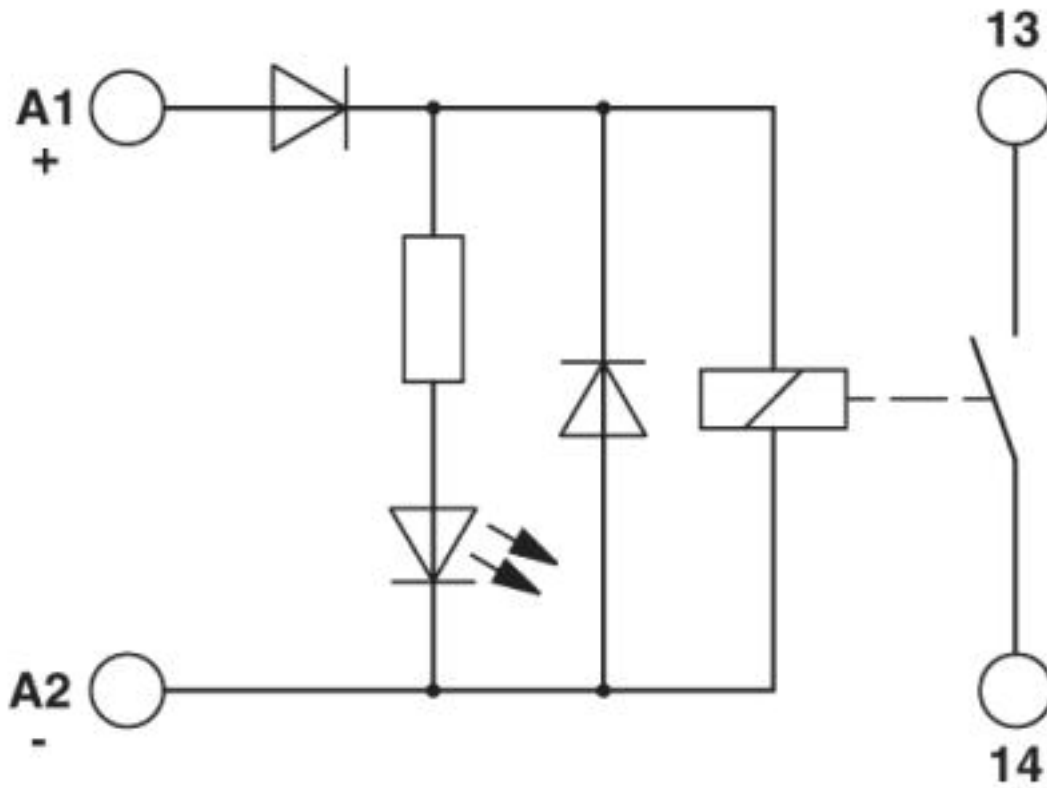
Relay Module - EMG 10-REL/KSR-120/ 1-LC - 2964432

Connection diagram



Relay Module - EMG 10-REL/KSR-120/ 1-LC - 2964432

Circuit diagram



Relay Module - EMG 10-REL/KSR-120/ 1-LC - 2964432

Circuit diagram

