

Relay Module - EMG 10-REL/KSR-G 24/ 1-LC AU - 2940087

Please be informed that the data shown in this PDF Document is generated from our Online Catalog. Please find the complete data in the user's documentation. Our General Terms of Use for Downloads are valid (<http://download.phoenixcontact.com>)



Relay module, with soldered-in miniature switching relay, gold contact for small loads, 1 N/O contact, input voltage 24 V DC

The illustration shows version EMG 10-REL/KSR-G 24/1-LC AU, with soldered-in miniature switching relay

Product Features

- Safe isolation according to DIN EN 50178 between coil and contact
- Integrated input circuit and interference suppression circuit



Key commercial data

package_quantity	10
GTIN	4017918079857

Technical data

Note:

Utilization restriction	EMC: class A product, see manufacturer's declaration in the download area
-------------------------	---

Dimensions

Width	10.6 mm
Height	75 mm
Depth	53.5 mm

Ambient conditions

Ambient temperature (operation)	-20 °C ... 40 °C
Ambient temperature (storage/transport)	-20 °C ... 70 °C

Coil side

Nominal input voltage U_N	24 V DC
Input voltage range in reference to U_N	0.8 ... 1.1
Nominal input current at U_{IN}	21 mA
Typical response time	7 ms
Typical release time	11 ms

Relay Module - EMG 10-REL/KSR-G 24/ 1-LC AU - 2940087

Technical data

Coil side

Operating voltage display	Yellow LED
Protective circuit	Protection against polarity reversal Polarity protection diode
Protective circuit	Free-wheeling diode Damping diode

Contact side

Contact type	Double contact, 1 N/O contact
Contact material	AgPd60, hard gold-plated
Maximum switching voltage	30 V AC
Maximum switching voltage	36 V DC
Maximum inrush current	0.2 A
Min. switching current	20 µA
Limiting continuous current	0.5 A
Interrupting rating (ohmic load) max.	5 W (at 24 V DC)
Note	the following values are applicable if a gold layer is destroyed
Maximum switching voltage	125 V AC
Limiting continuous current	2 A
Maximum inrush current	2 A
Interrupting rating (ohmic load) max.	29 W (at 24 V DC)
Interrupting rating (ohmic load) max.	29 W (at 48 V DC)
Interrupting rating (ohmic load) max.	29 W (at 60 V DC)

General

Test voltage relay winding/relay contact	4 kV AC (50 Hz, 1 min.)
Operating mode	100% operating factor
Degree of protection	IP20
Mechanical service life	Approx. 2×10^7 cycles
Standards/regulations	IEC 60664
Standards/regulations	EN 50178
Standards/regulations	IEC 62103
Rated surge voltage / insulation	4 kV / basic insulation
Rated insulation voltage	260 V AC
Pollution degree	2
Surge voltage category	III
Mounting position	Any
Assembly instructions	In rows with zero spacing

Connection data

Connection method	Screw connection
Conductor cross section solid min.	0.2 mm ²
Conductor cross section solid max.	4 mm ²
Conductor cross section stranded min.	0.2 mm ²
Conductor cross section stranded max.	2.5 mm ²
Conductor cross section AWG/kcmil min.	24

Relay Module - EMG 10-REL/KSR-G 24/ 1-LC AU - 2940087

Technical data

Connection data

Conductor cross section AWG/kcmil max	12
Stripping length	8 mm
Screw thread	M3

classifications

eCl@ss

eCl@ss 4.0	27371102
eCl@ss 4.1	27371102
eCl@ss 5.0	27371001
eCl@ss 5.1	27371001
eCl@ss 6.0	27371001
eCl@ss 7.0	27371001
eCl@ss 8.0	27371001

ETIM

ETIM 2.0	EC000196
ETIM 3.0	EC000196
ETIM 4.0	EC000196
ETIM 5.0	EC000196

UNSPSC

UNSPSC 6.01	30211916
UNSPSC 7.0901	39121515
UNSPSC 11	39121515
UNSPSC 12.01	39121515
UNSPSC 13.2	39121515

approvals

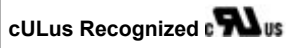
UL Recognized / cUL Recognized / GOST / cULus Recognized /

Approval details



Relay Module - EMG 10-REL/KSR-G 24/ 1-LC AU - 2940087

approvals



accessories

EMG-SGKS 10 - 2947585



Drawings

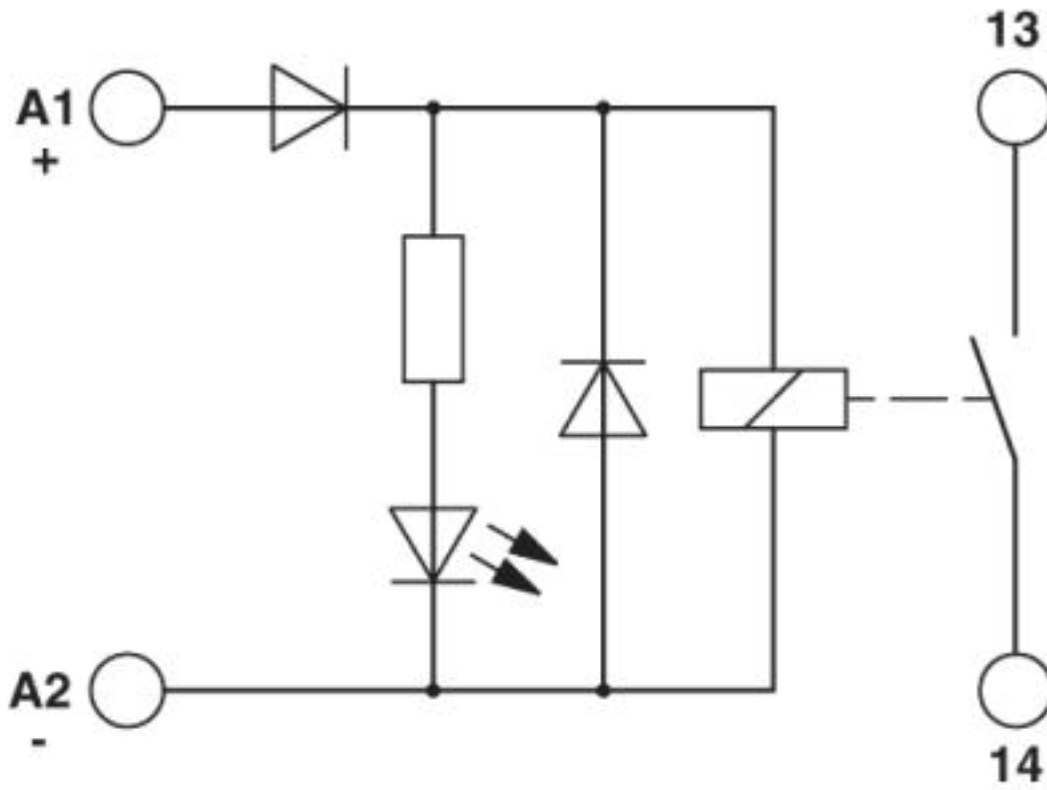
Relay Module - EMG 10-REL/KSR-G 24/ 1-LC AU - 2940087

Connection diagram



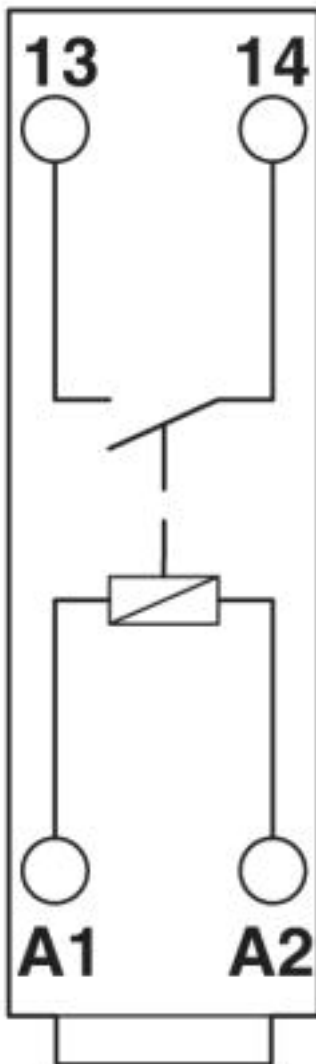
Relay Module - EMG 10-REL/KSR-G 24/ 1-LC AU - 2940087

Circuit diagram



Relay Module - EMG 10-REL/KSR-G 24/ 1-LC AU - 2940087

Circuit diagram



© Phoenix Contact 2013 - all rights reserved
<http://www.phoenixcontact.com>