

# Feed-through terminal block - PLC-VT/LA - 2296854

Please be informed that the data shown in this PDF Document is generated from our Online Catalog. Please find the complete data in the user's documentation. Our General Terms of Use for Downloads are valid (<http://download.phoenixcontact.com>)



VARIOFACE feed-through terminal block (2-wire connection), for PLC-RELAY universal series, with light indicator 24 V DC

## Product Features

- Can be combined with PLC-INTERFACE universal series
- With LED as an option
- Signal path with additional potential level for free assignment (two-wire connection)



## Key commercial data

package_quantity	10
GTIN	4017918821623

## Technical data

### Dimensions

Width	6.2 mm
Height	80 mm
Depth	94 mm

### Ambient conditions

Ambient temperature (operation)	-40 °C ... 70 °C
Ambient temperature (storage/transport)	-40 °C ... 70 °C

### General

Nominal voltage $U_N$	24 V DC
Nominal voltage $U_N$	18 V DC ... 33.6 V DC
Rated surge voltage	4 kV
Max. current carrying capacity per branch	6 A (per signal conductor)
Max. current carrying capacity per branch	6 A (per connection terminal block with jumper location)
Status display	Green LED
Mounting position	Any
Assembly instructions	In rows with zero spacing
Standards/regulations	DIN EN 50178
Standards/regulations	IEC 62103

# Feed-through terminal block - PLC-VT/LA - 2296854

## Technical data

### General

Inflammability class according to UL 94	V0
Pollution degree	3
Surge voltage category	III

### Connection data for connection 1

Connection name	Power supply
Connection in acc. with standard	IEC / EN
Number of connections	1
Connection method	Screw connection
Conductor cross section solid min.	0.2 mm <sup>2</sup>
Conductor cross section solid max.	4 mm <sup>2</sup>
Conductor cross section stranded min.	0.2 mm <sup>2</sup>
Conductor cross section stranded max.	2.5 mm <sup>2</sup>
Conductor cross section AWG/kcmil min.	24
Conductor cross section AWG/kcmil max	12
Stripping length	8 mm
Screw thread	M3

## classifications

### eCl@ss

eCl@ss 4.0	27250313
eCl@ss 4.1	27250313
eCl@ss 5.0	27250313
eCl@ss 5.1	27250313
eCl@ss 6.0	27242208
eCl@ss 7.0	27242208
eCl@ss 8.0	27242208

### ETIM

ETIM 2.0	EC001423
ETIM 3.0	EC001423
ETIM 4.0	EC000897
ETIM 5.0	EC000897

### UNSPSC

UNSPSC 6.01	30211824
UNSPSC 7.0901	39121402
UNSPSC 11	39121402
UNSPSC 12.01	39121402
UNSPSC 13.2	39121402

# Feed-through terminal block - PLC-VT/LA - 2296854

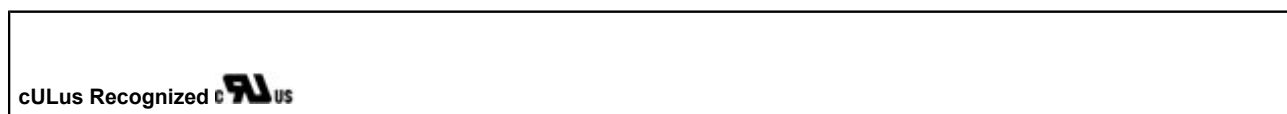
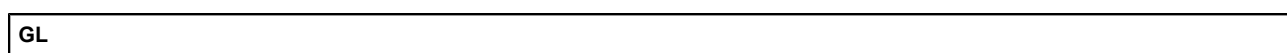
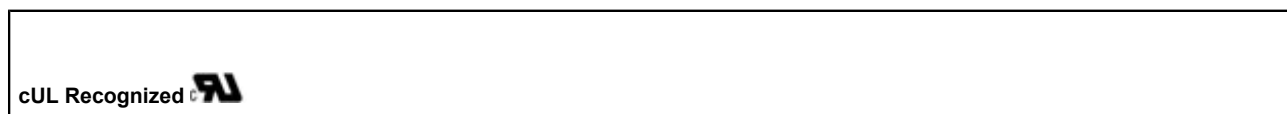
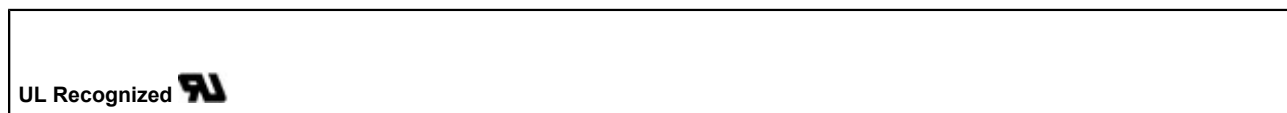
## approvals

---

UL Recognized / cUL Recognized / GOST / GL / cULus Recognized /

---

### Approval details



## accessories

### Mounting rail

NS 35/ 7,5 V2A UNPERF 2000MM - 0801377



---

NS 35/ 7,5 PERF 2000MM - 0801733



## Feed-through terminal block - PLC-VT/LA - 2296854

### accessories

NS 35/ 7,5 CU UNPERF 2000MM - 0801762



NS 35/15 UNPERF 2000MM - 1201714



NS 35/15 CU UNPERF 2000MM - 1201895



NS 35/15-2,3 UNPERF 2000MM - 1201798



NS 35/15 AL UNPERF 2000MM - 1201756



NS 35/15 PERF 2000MM - 1201730



# Feed-through terminal block - PLC-VT/LA - 2296854

accessories

---

NS 35/ 7,5 UNPERF 2000MM - 0801681



---

## Power module

PLC-ESK GY - 2966508



---

## Partition plate

PLC-ATP BK - 2966841



---

## Screwdriver tools

SZF 1-0,6X3,5 - 1204517



---

## Labeled terminal marker

## Feed-through terminal block - PLC-VT/LA - 2296854

accessories

ZB 6,LGS:FORTL.ZAHLEN - 1051016



---

### Terminal marking

ZB 6:UNBEDRUCKT - 1051003



---

### Controller board

PLC-V8/FLK14/OUT - 2295554



---

PLC-V8/FLK14/OUT/M - 2304102



---

PLC-V8/D15B/OUT - 2296061



## Feed-through terminal block - PLC-VT/LA - 2296854

### accessories

PLC-V8/FLK14/IN - 2296553



PLC-V8/FLK14/IN/M - 2304115



PLC-V8/D15B/IN - 2296087



### Interface module

PLC-V8/D15S/OUT - 2296058



PLC-V8/D15S/IN - 2296074



### Bridge

## Feed-through terminal block - PLC-VT/LA - 2296854

accessories

FBST 500-PLC RD - 2966786



FBST 500-PLC BU - 2966692



FBST 500-PLC GY - 2966838



FBST 6-PLC RD - 2966236



FBST 6-PLC BU - 2966812



FBST 6-PLC GY - 2966825





# Feed-through terminal block - PLC-VT/LA - 2296854

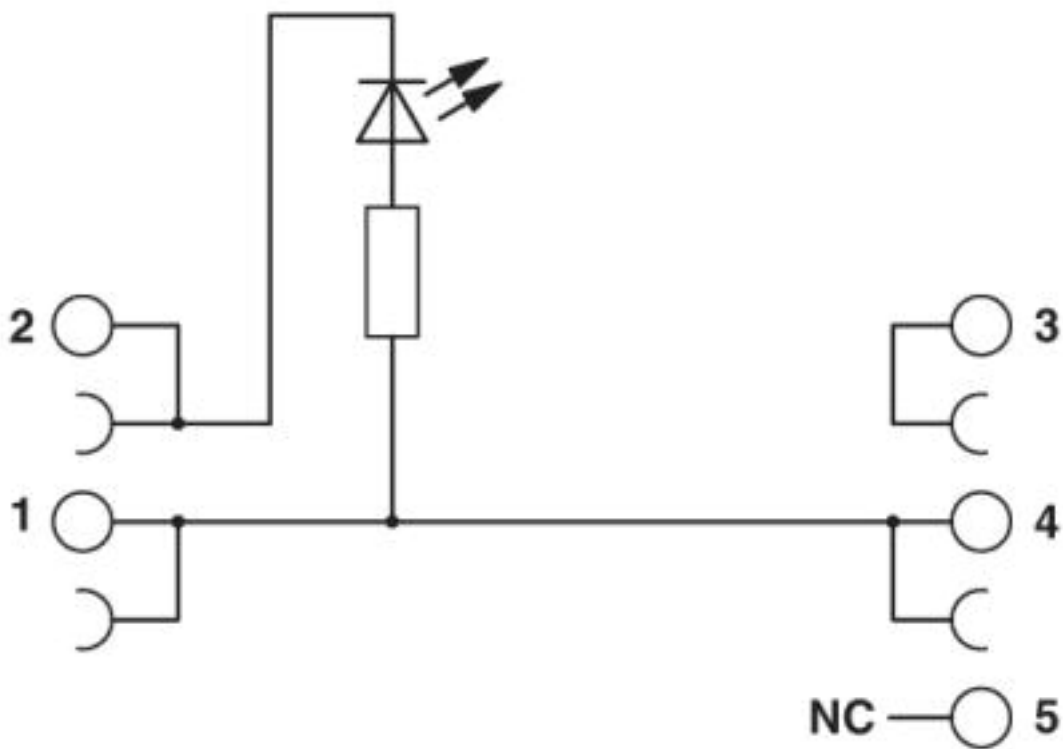
accessories

FBST 8-PLC GY - 2967688



## Drawings

Circuit diagram



PLC-VT/LA connection scheme

© Phoenix Contact 2013 - all rights reserved  
<http://www.phoenixcontact.com>