



**SUNPOWER TECHNOLOGY CORP.**  
 16F-1, No.150, Jian 1st Rd., Zhonghe Dist., New Taipei City 235, Taiwan (R.O.C.).  
 TEL: 886-2-8226-3100 FAX: 886-2-8226-3111  
 http://www.sunpower.com.tw  
 E-mail: sunpower@sunpower.com.tw

# SPS-035-Dx Series

**35W, Dual Output**



99 x 82 x 35 mm  
 3.90 x 3.23 x 1.38 inch

## Features:

- \* Power ON with LED indicator
- \* Built in EMI filter, low ripple noise
- \* Over voltage protection : Shutdown and latch off
- \* Over load & short circuit protection : Hiccup mode
- \* 100% full load burn-in test
- \* -20°C~70°C Operating temperature
- \* UL, cUL, TUV, CB, CE approved
- \* 3 years warranty

## Specification:

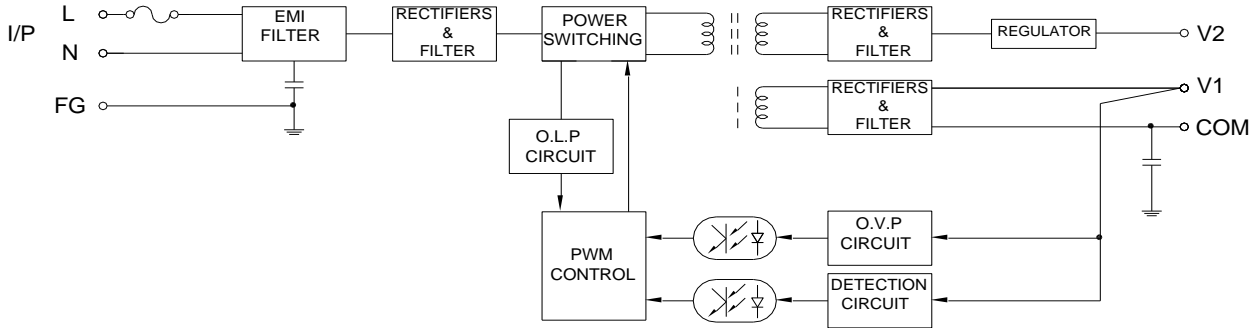
INPUT	<b>Voltage</b>	88V ~ 264VAC universal full range or 125V ~ 375VDC.							
	<b>Frequency</b>	47 ----- 63 Hz							
	<b>Current</b>	<1.0A@100V AC input, full load condition							
	<b>Inrush Current (TYP.)</b>	30A@115V , 50A@230V AC input, Cold start at 25°C ambient							
	<b>Leakage Current</b>	<1.0mA@264V AC input							
OUTPUT	<b>MODEL No.</b>	<b>SPS-035-D1</b>		<b>SPS-035-D2</b>		<b>SPS-035-D8</b>		<b>SPS-035-D9</b>	
	<b>Output</b>	V1	V2	V1	V2	V1	V2	V1	V2
	<b>Voltage</b>	5V	12V	5V	24V	12V	-12V	15V	-15V
	<b>Min Load</b>	0.3A	0A	0.3A	0A	0.3A	0A	0.3A	0A
	<b>Max Load</b>	4A	2.5A	4A	1.3A	3A	1.5A	2.4A	1.5A
	<b>Output Tolerance</b> ②	± 2%	± 5%	± 2%	± 5%	± 1%	± 5%	± 1%	± 5%
	<b>Ripple Noise MAX.</b> ③	70mV	120mV	70mV	240mV	120mV	120mV	150mV	150mV
	<b>Efficiency (TYP.)</b>	79%		79%		83%		84%	
<b>Output MAX.</b>	35W		35W		36W		36W		
PROTECTION	<b>Over Voltage</b>	5.8~7.0V	----	5.8~7.0V	----	13.8~16.8V	----	17.3~21.0V	----
		Shutdown and latch off, recover after re-start up.							
	<b>Over Load &amp; Short Circuit</b>	When power supply over 105%~ 150% max load or short circuit acted, power supply will go into hiccup mode and recover automatically after the fault is removed.							
ELEC. CHAR.	<b>Rise time</b>	<30mS							
	<b>Hold up time</b>	>60mS@230V, full load condition							
	<b>Setup time</b>	<1 Sec@100 ~ 240V AC							
ENVIRONMENT	<b>Temperature</b> ④	Operating: -20 ~ +70°C ; De-rating: 50 ~ 70°C : 2.5%/°C ; Storage: -40 ~ +85°C							
	<b>Humidity</b>	Operating: 20% ~ 90% RH (non condensing) ; Storage: 10% ~ 95% RH (non condensing)							
	<b>Altitude</b>	6562 ft ( ≒ 2000 m) operating							
SAFETY	<b>Withstand voltage</b>	I/P-O/P:3KVAC, I/P-FG:1.8KVAC, O/P-FG:0.5KVAC, 1minute							
	<b>Isolation resistance</b>	I/P-O/P, I/P-FG, O/P-FG > 100MΩ/500VDC at 25°C/ 70% RH							
	<b>Safety standard</b>	UL 62368-1 2 <sup>nd</sup> Edition, 2014-12-01, CAN/CSA C22.2 No. 62368-1-14, 2 <sup>nd</sup> Edition, 2014-12, TUV EN 62368-1:2014+A11, IEC 62368-1:2014 approved							
EMC	<b>EMI</b>	EN 55032 CLASS B, FCC CFR 47 PART 15 CLASS B Compliance to EN61000-3-2 CLASS A, EN61000-3-3							
	<b>EMS</b>	EN 55024 : EN 61000-4-2,3,4,5,6,8,11							
OTHERS	<b>Cooling</b>	Natural cooling.							
	<b>M.T.B.F.</b>	339 K hours							
	<b>Terminal pitch</b>	6P / 8.25mm with plastic cover, 90 deg terminal optional (with MOQ)							
	<b>Packing</b>	N.W.: 0.35Kg / pc ; 46 pcs / 1.22 CUFT/ 1 CTN							
NOTE	①	All measurements which not mentioned are based on 230VAC input, <b>output Max</b> at ambient 25°C / 70%RH							
	②	Output tolerance included set up voltage, line regulation and load regulation. The regulation is measured between 20%-100% <b>max load</b> of each output, Total output must under <b>output Max</b> .							
	③	Ripple & noise are measured at 100~254VAC input with 10~50°C condition and 20MHz of bandwidth by using a 10" ~15" twisted pair-wire terminated with a 0.1uF & a 47uF parallel capacitor.							
	④	The operating temperature shall follow the de-rating curve in spec The output load may be requested for decreasing as de-rating curve in spec when low input voltage is under 100VAC.							
	⑤	The power supply is considered a component of end-equipment. The end-equipment must be re-confirmed whether comply with EMC directives.							



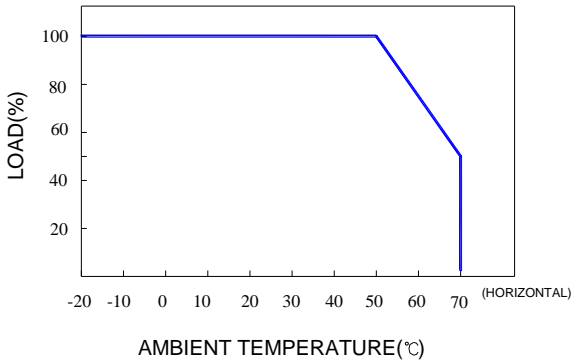
**SUNPOWER TECHNOLOGY CORP.**  
 16F.-1, No.150, Jian 1st Rd., Zhonghe Dist., New Taipei City 235, Taiwan (R.O.C.).  
 TEL: 886-2-8226-3100 FAX: 886-2-8226-3111  
 http://www.sunpower.com.tw  
 E-mail: sunpower@sunpower.com.tw

# SPS-035-Dx Series

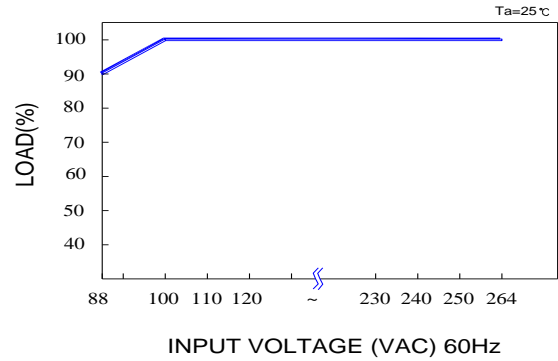
## Block Diagram : UD3-1



## De-rating Curve :

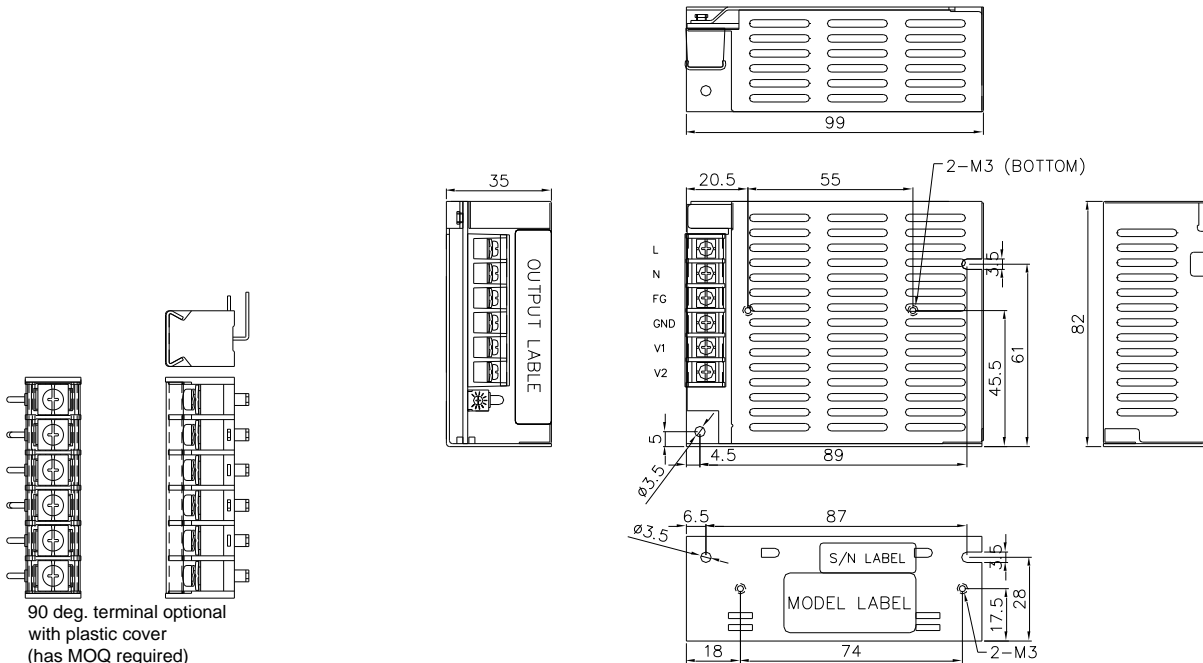


## Output De-rating Vs Input Voltage :



## Dimension:

(Unit: mm)



90 deg. terminal optional with plastic cover (has MOQ required)

Terminal Pin. No Assignment :

6P, PITCH 8.25mm WITH PC COVER						
MODEL No.	1	2	3	4	5	6
SPS-035-Dx	L	N	FG	GND	V1	V2