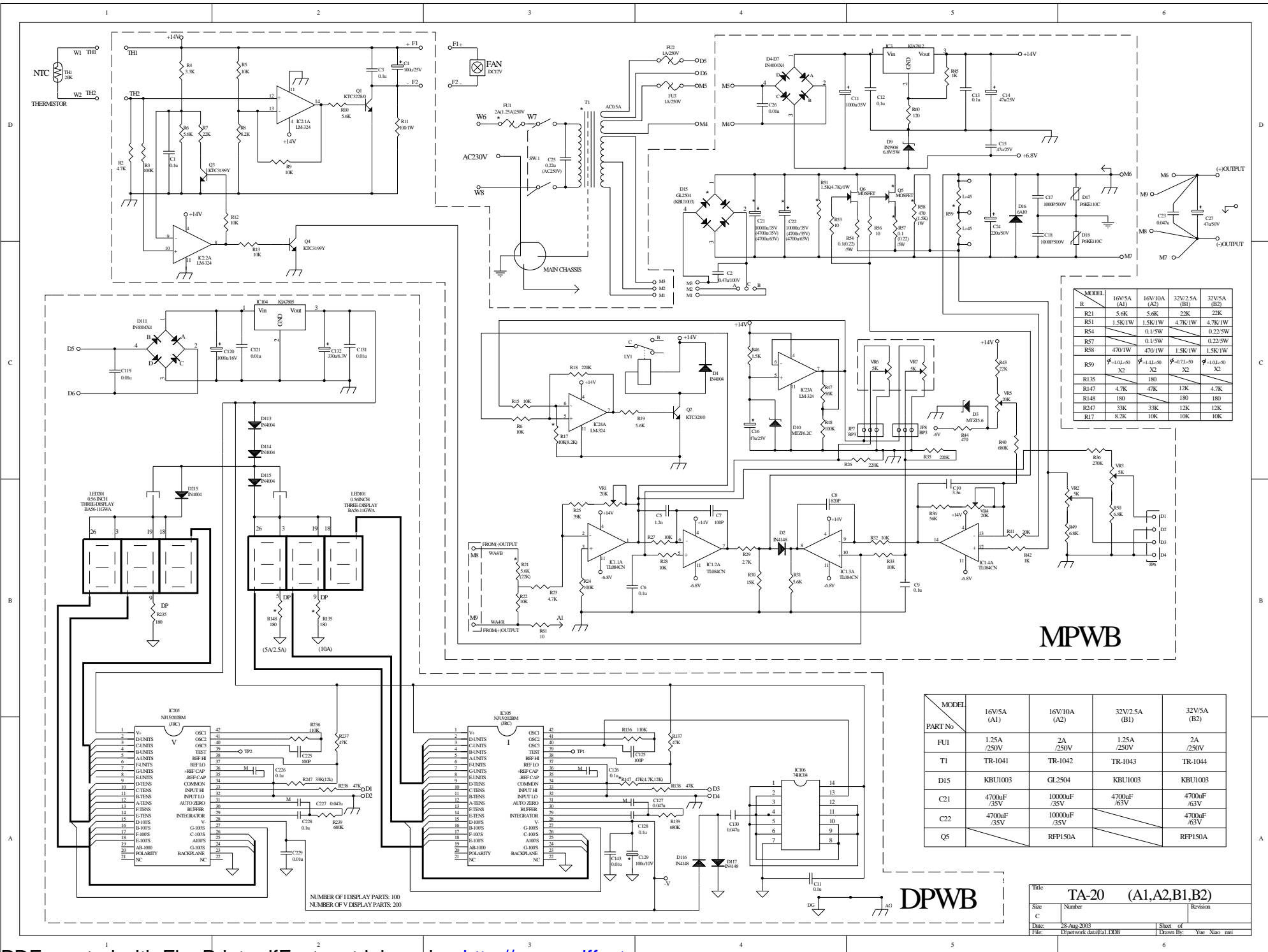


35320148\_VP\_02

Title			<b>EA-3048B</b>		
Size	Number		Revision		
A4					
Date:	12-Mar-2004		Sheet of		
File:	\\Henter\engineer\彭燕枢\EA-3048.ddb		Drawn By:		



MPWB

DPWB

Title TA-20 (A1,A2,B1,B2)			
Size	Number	Revision	
C			
Date:	28-Aug-2003	Sheet of	
File:	D:\network_data\1008	Drawn By:	Yue Xiao mei

NUMBER OF 1 DISPLAY PARTS: 100  
NUMBER OF V DISPLAY PARTS: 200