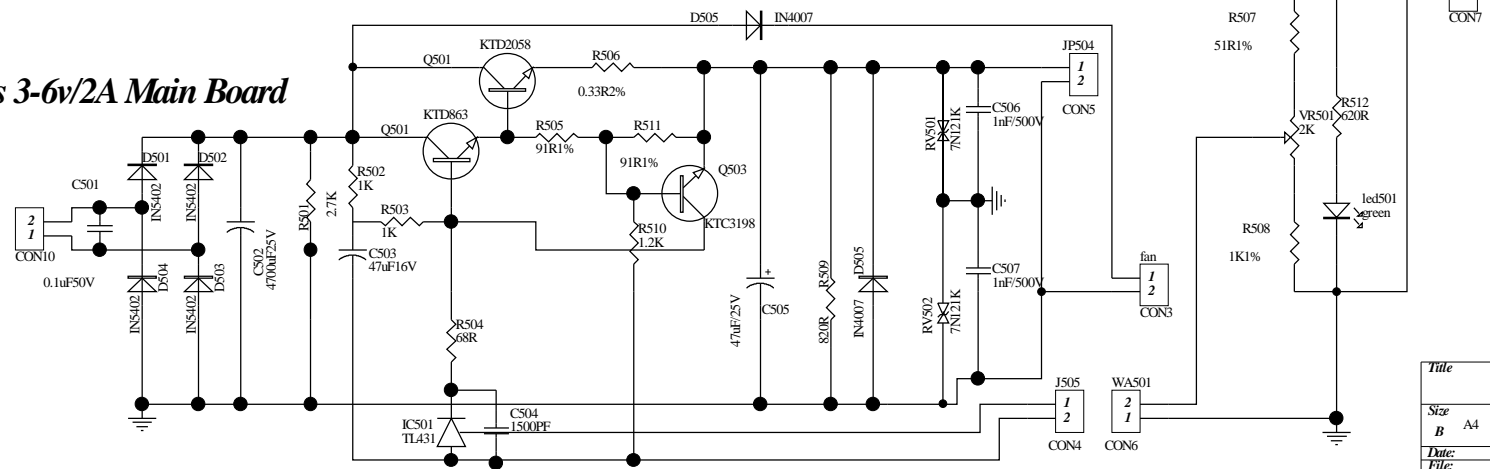


**Voltage Sense Circuit
Current Sense Circuit**

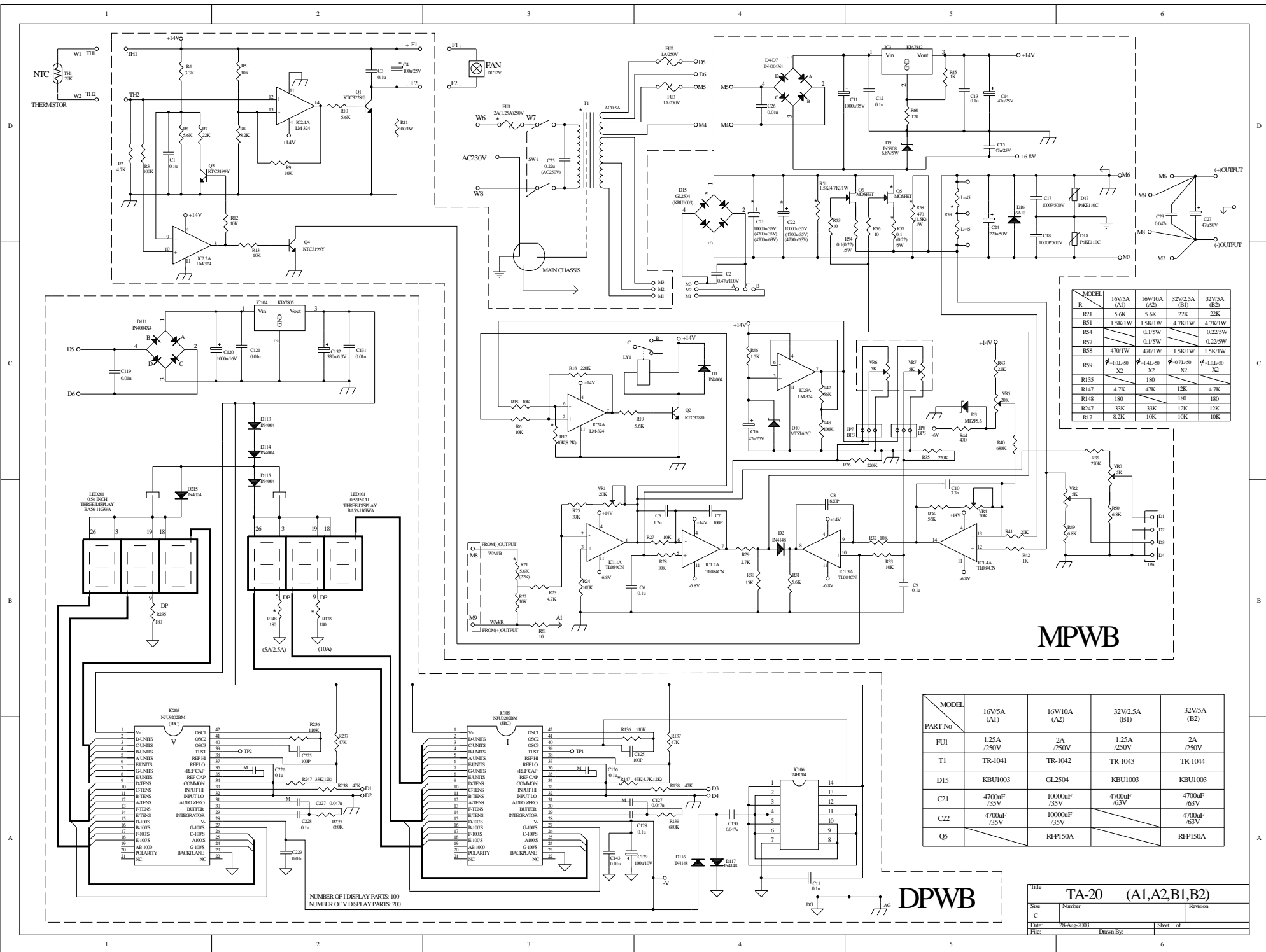
Ps 3-6v/2A Main Board

Ps 3-6v/2A Adjust Board



35320151_VP_01
35320152_VP_01

Title		
Size	A4	Number
Date:	12-Mar-2004	Sheet of
File:		Drawn By:



MODEL	16V/5A (A1)	16V/10A (A2)	32V/2.5A (B1)	32V/5A (B2)
R21	5.6K	5.6K	22K	22K
R51	1.5K/1W	1.5K/1W	4.7K/1W	4.7K/1W
R54	0.1/5W	0.1/5W	0.22/5W	0.22/5W
R57	0.1/5W	0.1/5W	0.1/5W	0.1/5W
R58	470/1W	470/1W	1.5K/1W	1.5K/1W
R59	1.0L-90 X2	1.4L-90 X2	0.7L-90 X2	1.0L-90 X2
R147	4.7K	180	12K	4.7K
R148	180	47K	12K	180
R247	33K	33K	12K	12K
R17	8.2K	10K	10K	10K

MPWB

MODEL	16V/5A (A1)	16V/10A (A2)	32V/2.5A (B1)	32V/5A (B2)
PART No				
FU1	1.25A /250V	2A /250V	1.25A /250V	2A /250V
T1	TR-1041	TR-1042	TR-1043	TR-1044
D15	KBU1003	GL2504	KBU1003	KBU1003
C21	4700µF /35V	10000µF /35V	4700µF /63V	4700µF /63V
C22	4700µF /35V	10000µF /35V	4700µF /63V	4700µF /63V
Q5		RFP150A		RFP150A

NUMBER OF 1 DISPLAY PARTS: 100
NUMBER OF V DISPLAY PARTS: 200

DPWB

Title TA-20 (A1,A2,B1,B2)			
Size	Number	Revision	
C			
Date:	28-Aug-2003	Drawn By:	Sheet of
File:			