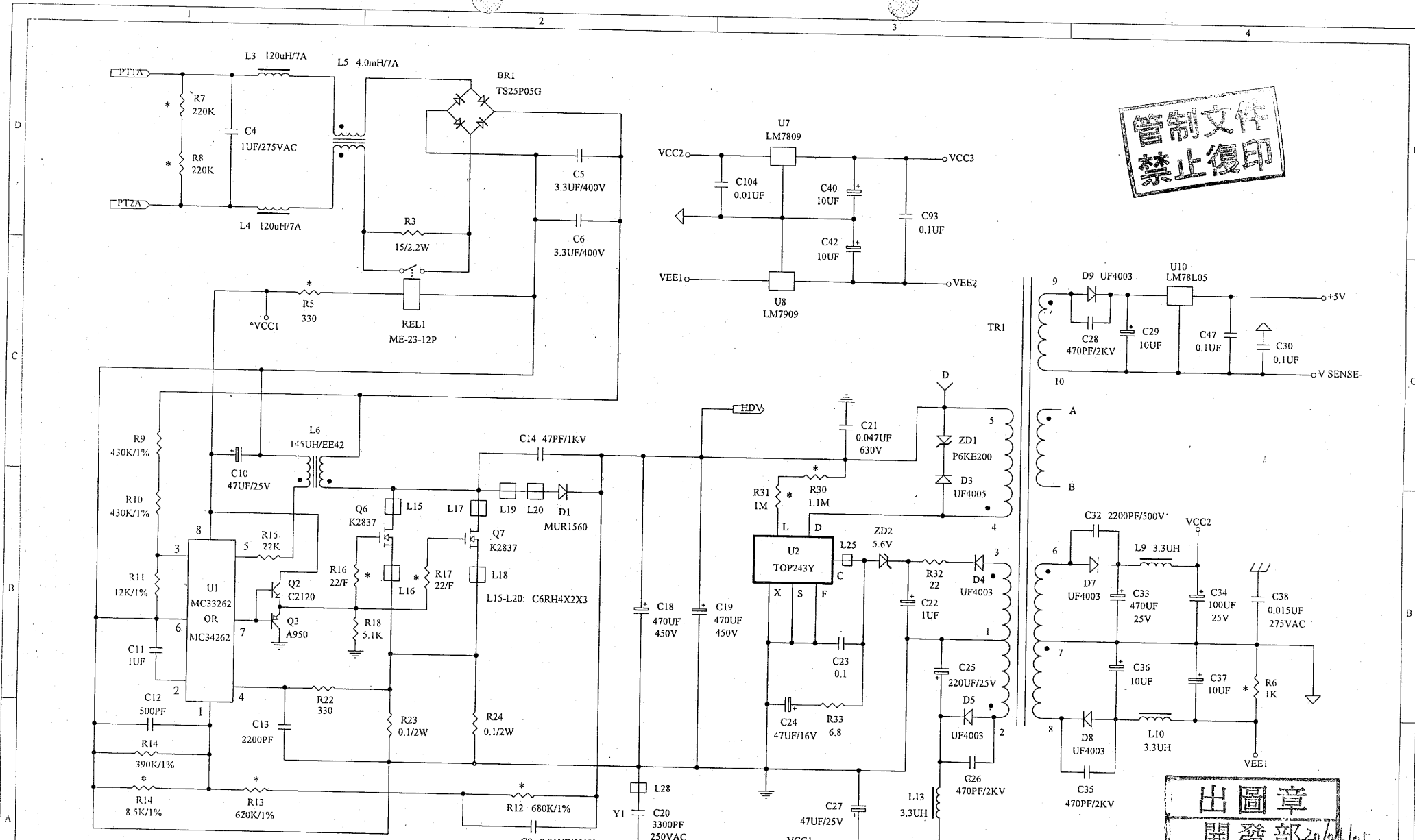


出圖章
開發部 19/04/2005

禁止復印

TITLE: SPS9620 AC INPUT FILTER		DWG.NO.: 9800-9620-0000	MANSON ENGINEERING INDUSTRIAL LTD.	
DRAWN BY: JIANG MING	CHECKED BY: <i>J. Ming</i>	APPROVED BY: <i>K.K. LO</i>	SHEET 1 OF 4	REVISION: 1.1
			DATE: 20-04-2005	

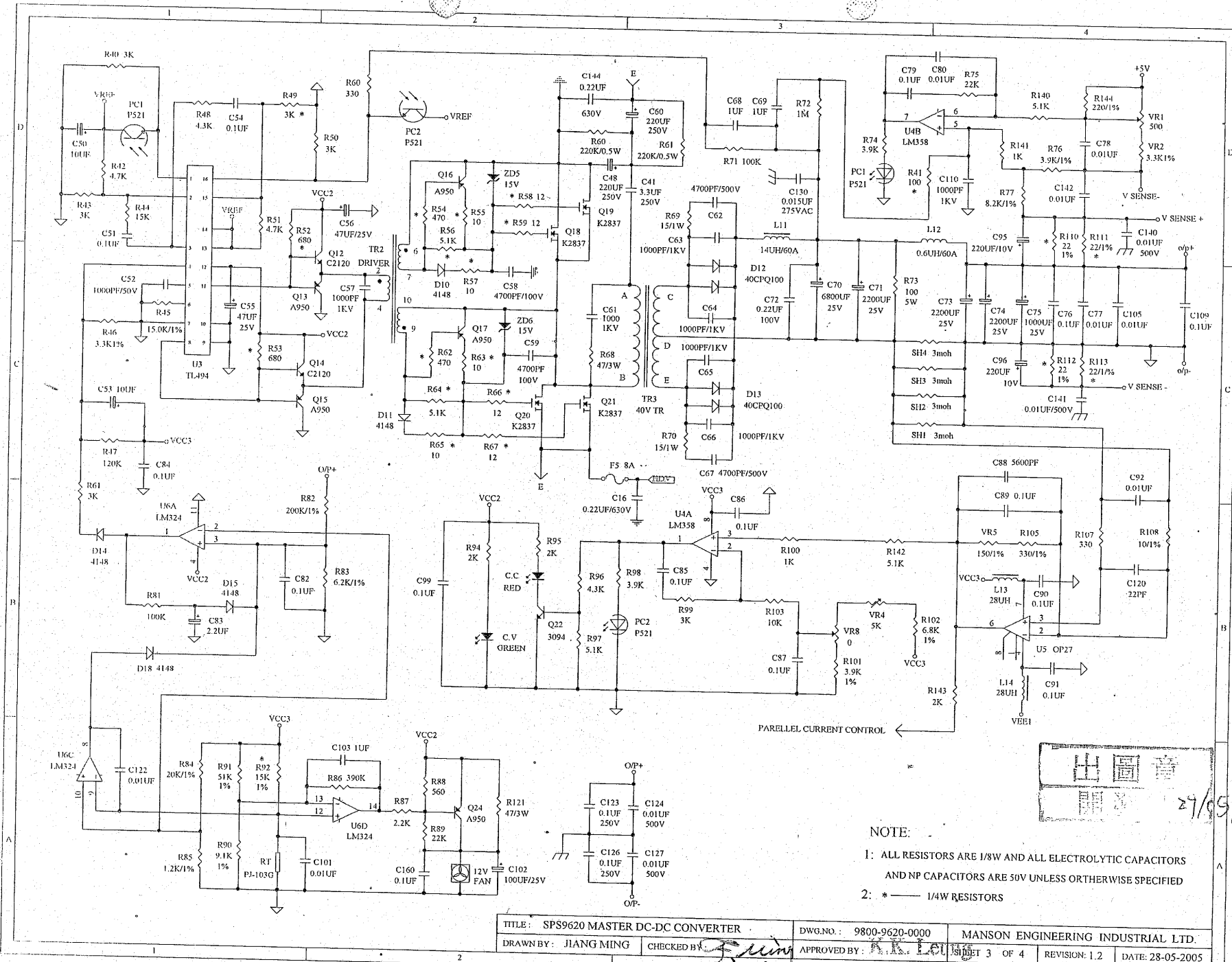


管制文件
禁止復印

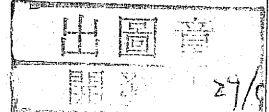
出圖章
開發部 20/04/05

NOTE: 1: ALL RESISTORS ARE 1/8W AND ALL ELECTROLYTIC CAPACITORS AND NP CAPACITORS ARE 50V UNLESS OTHERWISE SPECIFIED
2: * — 1/4W RESISTORS

TITLE: SPS9620 PFC & AUXILIARY P.S		DWG.NO.: 9800-9620-0000	MANSON ENGINEERING INDUSTRIAL LTD.	
DRAWN BY: JIANG MING	CHECKED BY: <i>[Signature]</i>	APPROVED BY: <i>[Signature]</i>	SHEET 2 OF 4	REVISION: 1.1
			DATE: 20-04-2005	

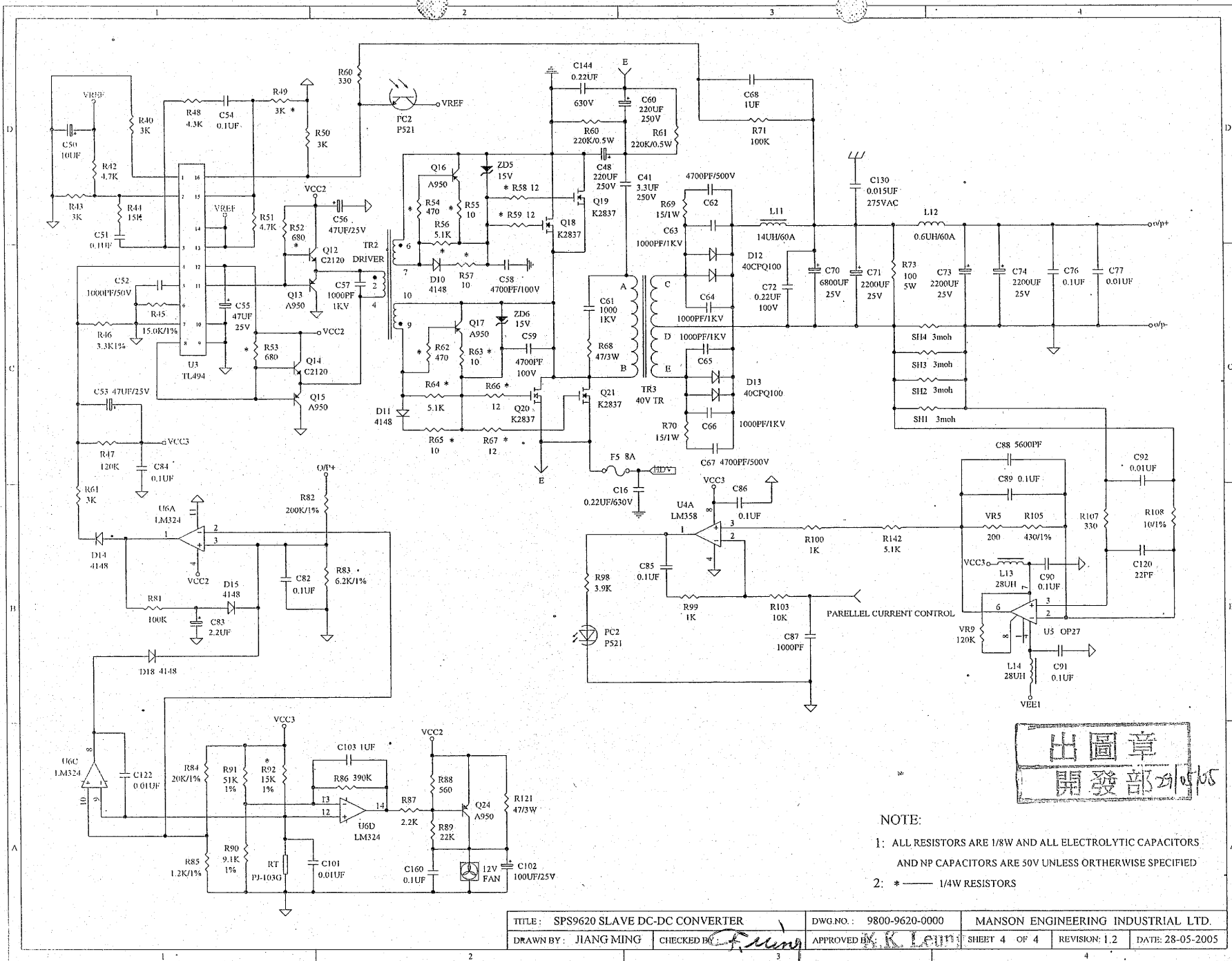


NOTE:
 1: ALL RESISTORS ARE 1/8W AND ALL ELECTROLYTIC CAPACITORS AND NP CAPACITORS ARE 50V UNLESS OTHERWISE SPECIFIED
 2: * — 1/4W RESISTORS



TITLE: SPS9620 MASTER DC-DC CONVERTER		DWG.NO.: 9800-9620-0000		MANSON ENGINEERING INDUSTRIAL LTD.	
DRAWN BY: JIANG MING	CHECKED BY: <i>[Signature]</i>	APPROVED BY: <i>[Signature]</i>	SHEET 3 OF 4	REVISION: 1.2	DATE: 28-05-2005

管制文件
禁止復印



出圖章
開發部 2005/05

NOTE:
1: ALL RESISTORS ARE 1/8W AND ALL ELECTROLYTIC CAPACITORS AND NP CAPACITORS ARE 50V UNLESS OTHERWISE SPECIFIED
2: * — 1/4W RESISTORS

TITLE: SPS9620 SLAVE DC-DC CONVERTER	DWG.NO.: 9800-9620-0000	MANSON ENGINEERING INDUSTRIAL LTD.
DRAWN BY: JIANG MING	CHECKED BY: <i>F. Sun</i>	APPROVED BY: <i>X.K. Leung</i>
		SHEET 4 OF 4
		REVISION: 1.2
		DATE: 28-05-2005

管制文件
禁止復印

SPS-9620-327 BOM.TXT

PG ID: MBMROO
LTD

Date: 07/11/2005 19:07:06
MANSON ENGINEERING INDUSTRIAL
Bills Of Material Component

Listing Page: 1

Ref. No:
Model #: SPS-9620-327
MODE POWER SUPPLY

Description: 13.8VDC FIXED 120A SWITCHING
Rev Date: 19/10/2005
Specification:
Verify :
Brand Name :
Type : *

Level	Code #	Description/Remarks	Usage
U/M Op	PMS Iss Sp Scrp Net.Wt Ftr Rev Date		
0	SPS-9620-CA-327	SPS-9620-327 MATERIAL FOR	1.00000
SET CA	M N N 0.00%	06/05/2005	
1	1011-1041-0171	CASING	1.00000
PCS CA	P Y N 0.00%	CERAMIC CAPACITOR 0.01UF 50V 06/05/2005 +80%/-20%	
1	1011-1042-1261	Location : C105 CERAMIC CAPACITOR 0.01UF 500V	2.00000
PCS CA	P Y N 0.00%	06/05/2005 +80%/-20%	
1	1011-1051-0171	Location : C124, C127. CERAMIC CAPACITOR 0.1UF 50V	1.00000
PCS CA	P Y N 0.00%	06/05/2005 +80%/-20%	
1	1022-1032-0151	Location : C109 ELECT. CAPACITOR 1000UF 25V	1.00000
PCS CA	P Y N 0.00%	06/05/2005 +/-20% DIM. 10 X 20 MM "GS"	
1	1031-1053-0231	Location : C75 METALLIZED CAPACITOR	2.00000
PCS CA	P Y N 0.00%	06/05/2005 0.1UF 250VDC +/-10%	
1	2102-3113-1022	Location : C123, C126. FERRITE TOROID CORE W/COATING	1.00000
PCS CA	P Y N 0.00%	03/09/2005	
2	2102-3113-1021	MA055 R-31/19/13C OD=31.0 FERRITE TOROID CORE	1.00000
PCS TR	P Y N 0.00%	15/12/2001	
1	4021-0204-2038	MA055 R-31/19/13C OD=31.0 LED EL204HD DIA. 3mm	1.00000
PCS CA	P Y N 0.00%	06/05/2005	
1	4021-0204-5038	Location : DIFFUSED RED "EVERLIGHT" C.C	1.00000
PCS CA	P Y N 0.00%	06/05/2005	
1	4351-0402-6216	Location : LED EL204GD DIA. 3mm DIFFUSED GREEN "EVERLIGHT" C.V	2.00000
PCS CA	P Y N 0.00%	06/05/2005	
1	4351-1402-6216	Location : WIRE ASSEMBLY UL1007 #24 2 PIN x 40mm W/STM HOUSING FAN	2.00000
PCS CA	P Y N 0.00%	06/05/2005	
1	4351-2652-1216	Location : WIRE ASSEMBLY UL1007 #24 2 PIN X140+4mm W/XH HOUSING G.S<=>CN10.	2.00000
PCS CA	P Y N 0.00%	06/05/2005	
1	4351-2652-1216	Location : WIRE ASSEMBLY UL1007 #24 2 PIN X 265+4mm W/STM HOUSING CN2, CN4.	2.00000
PCS CA	P Y N 0.00%	06/05/2005	

SPS-9620-327 BOM.TXT

1	PCS CA	P	Y	N	0.00%	4351-2954-1215	WIRE ASSEMBLY UL1007 #24 4 PIN	1.00000
							06/05/2005	
							X 295/195+4mm W/STM HOUSING	
						Locati on :	CN3	
1	PCS CA	P	Y	N	0.00%	4351-3303-1216	WIRE ASSEMBLY UL1007 #24 3 PIN	1.00000
							06/05/2005	
							X 330+4mm W/STM HOUSING	
						Locati on :	CN5.	

PG ID: MBMROO
LTD

Date: 07/11/2005 19:07:06

Bills Of Material Component

Listing Page: 2

Ref. No:

Model #: SPS-9620-327
MODE POWER SUPPLY

Description: 13.8VDC FIXED 120A SWITCHING

Rev Date: 19/10/2005

Specifi cation:

Veri fy :

Brand Name :

Type : *

Level	Code #					Description/Remarks	Usage	
U/M Op	PMS	Iss	Sp	Scrp	Net.Wt	Ftr Rev Date		
1	PCS CA	P	Y	N	0.00%	4700-1504-2242	WIRE UL1015 AWG#16	1.00000
							06/05/2005	
							YELLOW/GREEN 10+150+5mm	
						Locati on :	GND.	
1	PCS CA	P	Y	N	0.00%	4700-1602-5104	WIRE UL1007 AWG#22 RED	1.00000
							06/05/2005	
							25+160+3mm	
						Locati on :	SENSE+.	
1	PCS CA	P	Y	N	0.00%	4700-1700-5104	WIRE UL1007 AWG#22 BLACK	1.00000
							06/05/2005	
							25+170+3mm	
						Locati on :	SENSE-.	
1	PCS CA	P	Y	N	0.00%	4700-2902-1243	WIRE UL1015 AWG#14 RED	1.00000
							06/05/2005	
							10+290+6mm	
						Locati on :	SW1<->0/N	
1	PCS CA	P	Y	N	0.00%	4700-2906-1243	WIRE UL1015 AWG#14 BLUE	1.00000
							06/05/2005	
							10+290+6mm	
						Locati on :	SW1<->0L1.	
1	PCS CA	P	Y	N	0.00%	4700-3151-2273	WIRE UL1015 AWG#16 BROWN	1.00000
							06/05/2005	
							6+260+6mm	
						Locati on :	AC/L-SW1	
1	PCS CA	P	Y	N	0.00%	4700-3156-2273	WIRE UL1015 AWG#16 BLUE	1.00000
							06/05/2005	
							6+260+6mm	
						Locati on :	AC/L-SW1	
1	PCS CA	P	Y	N	0.00%	4700-3801-2273	WIRE UL1015 AWG#16 BROWN	1.00000
							06/05/2005	
							6+380+6mm	
						Locati on :	AC/N-SW1	
1	PCS CA	P	Y	N	0.00%	4700-3806-2273	WIRE UL1015 AWG#16 BLUE	1.00000
							06/05/2005	
							6+380+6mm	
						Locati on :	AC/N-SW1	
1	PCS CA	P	Y	N	0.00%	4709-2850-0244	WIRE UL1015 AWG#10 BLACK	3.00000
							06/05/2005	
							10+285+10mm	
						Locati on :	O/P+	

SPS-9620-327 BOM.TXT

1	PCS CA	4709-3052-0244	P	Y	N	0.00%	WIRE UL1015 AWG#10 RED	3.00000
							06/05/2005	
							10+305+10mm	
							Locati on : 0/P-	
1	M CA	4761-0009-1220	P	Y	N	0.00%	PVC TUBE OD 12.48MM ID 11.18MM	0.23000
							06/05/2005	
							(7/16") W/UL VW-1 TRANSPARENT	
1	M CA	4761-0009-3810	P	Y	N	0.00%	PVC TUBE DIA. 3.76mm W/UL	0.36000
							06/05/2005	
							VW-1 TRANSPARENT "KYOWA"	
1	M CA	4761-0009-6010	P	Y	N	0.00%	PVC TUBE DIA. 5.94mm W/UL	0.44000
							21/05/2005	
							VW-1 TRANSPARENT "KYOWA"	
1	M CA	4761-0009-6710	P	Y	N	0.00%	PVC TUBE DIA. ID: 6.68mm W/UL	0.32000
							21/05/2005	
							VW-1 TRANSPARENT AWG#2 "KYOWA"	
1	M CA	4781-0000-1510	P	Y	N	0.00%	HEAT SHRI NKABLE TUBE BLACK	0.09000
							21/05/2005	
							DIA. 1.5mm UL224	

PG ID: MBMROO
LTD

Date: 07/11/2005 19:07:06

Bills Of Material Component

Listing

Page: 3

Ref. No:
Model #: SPS-9620-327
MODE POWER SUPPLY

Description: 13.8VDC FIXED 120A SWITCHING
Rev Date: 19/10/2005

Speci fi cation:

Veri fy :
Brand Name :
Type : *

Level	Code #	Description/Remarks				Usage		
U/M Op	PMS Iss Sp Scrp	Net.Wt	Ftr	Rev Date				
1	M CA	4781-0000-5010	P	Y	N	0.00%	HEAT SHRI NKABLE TUBE BLACK	0.06000
							21/05/2005	
							DIA. 5mm UL224 "HAN KYUNG"	
1	M CA	4782-0000-1010	P	Y	N	0.00%	HEAT SHRI NKABLE TUBE BLACK	0.16000
							21/05/2005	
							DIA. 10mm UL224	
1	PCS CA	4801-2116-6520	P	Y	N	0.00%	ROCKER SWIT CH C1350ALAAF	1.00000
							06/05/2005	
							2P1T 16A/250VAC W/UL, CSA, VDE	
1	PCS CA	6282-9600-0000	P	Y	N	0.00%	BLACK TERMIN AL INSULATOR 80A	1.00000
							06/05/2005	
1	PCS CA	6282-9600-0020	P	Y	N	0.00%	RED TERMIN AL INSULATOR 80A	1.00000
							06/05/2005	
1	PCS CA	6283-9600-0000	P	Y	N	0.00%	BLACK TERMIN AL BUSHI NG 80A	1.00000
							06/05/2005	
1	PCS CA	6283-9600-0020	P	Y	N	0.00%	RED TERMIN AL BUSHI NG 80A	1.00000
							06/05/2005	
1	PCS CA	6805-9620-0001	P	Y	N	0.00%	METAL AUX. BOTTOM CABI NET	2.00000
							06/05/2005	
							SPS-9620 1.0mmTHK. E. G. S. S. R. 1	
1	PCS CA	6811-9620-0001	M	N	N	0.00%	METAL TOP CABI NET SPS-9620 R. 1	1.00000
							06/05/2005	
							1.0mmTHK. E. G. S. S. PANTONE 433C	
2	PCS CA	6801-9620-0001	P	Y	N	0.00%	METAL TOP CABI NET SPS-9620	1.00000
							18/10/2004	
							1.0mm THK. E. G. S. S. REV. 1	
1	PCS CA	6812-9620-3270	M	N	N	0.00%	METAL BOTTOM CAB. SPS-9620-327	1.00000
							06/05/2005	
							1.0mm THK. PANTONE 433C WITH	

SPS-9620-327 BOM.TXT

2	PCS CA	M	N	N	0.00%	6812-9620-0090	METAL BOTTOM CAB. SPS-9620-000 06/05/2005 1.0mm THK. E. G. S. S. PANTONE 433C	1.00000
3	PCS CA	P	Y	N	0.00%	6802-9620-0000	METAL BOTTOM CAB. SPS-9620-000 05/11/2004 1.0mm THK. E. G. S. S.	1.00000
1	PCS CA	P	Y	N	0.00%	6851-9620-0001	MOUNTING RAIL (LEFT) FOR 06/05/2005 SPS-9620 1.0mmTHK. E. G. S. S. R. 1	2.00000
1	PCS CA	P	Y	N	0.00%	6851-9620-0011	MOUNTING RAIL (RIGHT) FOR 06/05/2005 SPS-9620 1.0mmTHK. E. G. S. S. R. 1	2.00000
1	PCS CA	P	Y	N	0.00%	7031-0524-1001	250 SLIP-ON RECEPTACLE MOLEX 06/05/2005 END-FEED P/N: 35725-2410 0.8TAB SW1.	8.00000
1	PCS CA	M	N	N	0.00%	7041-0010-0098	BLACK SCREW TERMINAL POST 80A 06/05/2005 DIA. 16x60 W/ INSULATOR	1.00000
2	PCS CA	M	N	N	0.00%	6280-9600-0000	OUTPUT-. BINDING POST KNOB 80A BLACK 10/02/2004 INSERT INJECTION W/ TERMINAL	1.00000
3	PCS CA	P	Y	N	0.00%	7171-9600-0000	BINDING POST NUT DIA. 13X20MM 10/02/2004 BRASS W/NICKEL PLATING	1.00000
2	PCS CA	P	Y	N	0.00%	6282-9600-0000	BLACK TERMINAL INSULATOR 80A 10/02/2004	1.00000
2	PCS CA	P	Y	N	0.00%	6283-9600-0000	BLACK TERMINAL BUSHING 80A 10/02/2004	1.00000
2	PCS CA	P	Y	N	0.00%	7172-9600-0010	BINDING POST SHAFT DIA. 16X60mm 10/02/2004 BRASS W/NICKEL PLATING	1.00000
2	PCS CA	P	Y	N	0.00%	7300-8015-1001	PLAN WASHER M8. 2x14x1 10/02/2004 W/NICKEL PLATING 109-14	1.00000
2	PCS CA	P	Y	N	0.00%	7303-8015-2002	SPRING WASHER M8X14X2 30/04/2004 W/ZINC PLATING	2.00000

PG ID: MBMROO LTD

Date: 07/11/2005 19:07:06

Bills Of Material Component

Listing

Page: 4

Ref. No:
Model #: SPS-9620-327
MODE POWER SUPPLY

Description: 13.8VDC FIXED 120A SWITCHING

Rev Date: 19/10/2005

Specification:

Verify :

Brand Name :

Type : *

Level	Code #	Description/Remarks			Usage			
U/M Op	PMS Iss Sp Scrp	Net.Wt	Ftr	Rev Date				
2	PCS CA	P	Y	N	0.00%	7305-8015-1600	INTERNAL TOOTH WASHER 23/04/2004 M8X15X1.6	1.00000
2	PCS CA	P	Y	N	0.00%	7350-8010-4591	BRASS NUT M8x1.0 W/Ni PLATING 11/02/2004	3.00000
1	PCS CA	M	N	N	0.00%	7041-0012-0098	RED SCREW TERMINAL POST 80A 06/05/2005 DIA. 16x60 W/ INSULATOR	1.00000

Location : OUTPUT+.

SPS-9620-327 BOM.TXT

2	6280-9600-0020				SPS-9620-327 BOM.TXT		
PCS CA	M	N	N	0.00%	BINDING POST KNOB 80A RED	1.00000	
					10/02/2004		
3	7171-9600-0000				INSERT INJECTION W/ TERMINAL		
PCS CA	P	Y	N	0.00%	BINDING POST NUT DIA. 13X20MM	1.00000	
					24/04/2004		
2	6282-9600-0020				BRASS W/NICKEL PLATING		
PCS CA	P	Y	N	0.00%	RED TERMINAL INSULATOR 80A	1.00000	
					10/02/2004		
2	6283-9600-0020				RED TERMINAL BUSHING 80A	1.00000	
PCS CA	P	Y	N	0.00%			
					10/02/2004		
2	7172-9600-0010				BINDING POST SHAFT DIA. 16X60mm	1.00000	
PCS CA	P	Y	N	0.00%			
					10/02/2004		
2	7300-8015-1001				BRASS W/NICKEL PLATING		
PCS CA	P	Y	N	0.00%	PLAN WASHER M8. 2x14x1	1.00000	
					10/02/2004		
2	7303-8015-2002				W/NICKEL PLATING 109-14		
PCS CA	P	Y	N	0.00%	SPRING WASHER M8X14X2	2.00000	
					30/04/2004		
2	7305-8015-1600				W/ZINC PLATING		
PCS CA	P	Y	N	0.00%	INTERNAL TOOTH WASHER	1.00000	
					23/04/2004		
2	7350-8010-4591				M8X15X1.6		
PCS CA	P	Y	N	0.00%	BRASS NUT M8x1.0 W/Ni PLATING	3.00000	
					03/04/2004		
1	7041-0020-0899				SCREW WIRE TERMINAL ST-20-8	2.00000	
PCS CA	P	Y	N	0.00%			
					06/05/2005		
					Locati on :		
1	7172-9600-0010				O/P.		
PCS CA	P	Y	N	0.00%	BINDING POST SHAFT DIA. 16X60mm	2.00000	
					06/05/2005		
1	7204-3006-1101				BRASS W/NICKEL PLATING		
PCS CA	P	Y	N	0.00%	SCREW M3X6X0.5 W/Ni PLATING	41.00000	
					06/05/2005		
					Locati on :		
1	7204-3006-1103				BINDING HEAD CROSS DRIVER		
PCS CA	P	Y	N	0.00%	PCB, OUTPUT.		
					SCREW M3X6X0.5 W/BLACK ZINC	14.00000	
					06/05/2005		
1	7204-3006-1201				BINDING HEAD CROSS DRIVER		
PCS CA	P	Y	N	0.00%	SCREW M3X6X0.5 W/Ni PLATING	10.00000	
					06/05/2005		
1	7206-4008-1001				FLAT HEAD CROSS DRIVER		
PCS CA	P	Y	N	0.00%	SCREW M4X8X0.7 W/Ni PLATING	1.00000	
					06/05/2005		
					Locati on :		
1	7232-5012-1001				PAN HEAD CROSS DRIVER		
PCS CA	P	Y	N	0.00%	GND.		
					SELF-TAPPING SCREW M5X12PT	8.00000	
					06/05/2005		
					Locati on :		
1	7300-8015-1001				PAN HEAD (M4P) CROSS DRIVER		
PCS CA	P	Y	N	0.00%	FAN.		
					PLAN WASHER M8. 2x14x1	2.00000	
					06/05/2005		
1	7303-3005-0702				W/NICKEL PLATING 109-14		
PCS CA	P	Y	N	0.00%	SPRING WASHER M3X5X0.7	6.00000	
					06/05/2005		
1	7303-8015-2002				W/ZINC PLATING		
PCS CA	P	Y	N	0.00%	SPRING WASHER M8X14X2	6.00000	
					06/05/2005		
					W/ZINC PLATING		

PG ID: MBMROO

LTD
Bills Of Material Component

Date: 07/11/2005

Listing

Page: 5

Ref. No:

Model #: SPS-9620-327
MODE POWER SUPPLY

Descripti on: 13.8VDC FIXED 120A SWITCHING
Rev Date: 19/10/2005
Speci fi cati on:

Seite 5

SPS-9620-327 BOM.TXT

Verify :
 Brand Name :
 Type : *

Level	Code #	Description/Remarks			Usage	
U/M Op	PMS Iss Sp Scrp	Net.Wt	Ftr	Rev Date		
1	7304-3006-0900				EXTERNAL TOOTH WASHER M3X6X0.9	14.00000
PCS CA	P Y N 0.00%			06/05/2005		
					Locati on : PCB, OUTPUT.	
1	7304-4008-0900				EXTERNAL TOOTH WASHER M4X8X0.9	2.00000
PCS CA	P Y N 0.00%			06/05/2005		
					Locati on : GND.	
1	7305-8015-1600				INTERNAL TOOTH WASHER	4.00000
PCS CA	P Y N 0.00%			06/05/2005		
					M8X15X1.6	
1	7350-4007-3061				STEEL NUT M4X0.7	1.00000
PCS CA	P Y N 0.00%			06/05/2005		
					Locati on : GND.	
1	7350-8010-4591				BRASS NUT M8x1.0 W/Ni PLATING	6.00000
PCS CA	P Y N 0.00%			06/05/2005		
1	7408-4007-3401				SOLDERING PLATE M4X7X8	1.00000
PCS CA	P Y N 0.00%			06/05/2005		
					W/NICKEL PLATING 10015-5	
					Locati on : GND.	
1	7422-8010-3001				SOLDERING PLATE M8.2X21.9X0.3	4.00000
PCS CA	P Y N 0.00%			06/05/2005		
					0.3mmTHK. BRASS W/Ni PLATING	
					Locati on : O/P.	
1	8001-8025-1222				DC FAN 80mm 12VDC 2.6W	2.00000
PCS CA	P Y N 0.00%			06/05/2005		
					Locati on : KD1208PTS1-H (SLEEVE BEARING)	
					FAN	
1	8003-1080-0001				FINGER GUARD 80mm	2.00000
PCS CA	P Y N 0.00%			06/05/2005		
					Locati on : FAN.	
1	8045-5210-9009				AC SOCKET UNIVERSAL TYPE	1.00000
PCS CA	P Y N 0.00%			06/05/2005		
					10A/250V AC-P03CS05 BLACK EDK	
1	8081-0453-0107				250 PVC SLEEVE DFA-25-3.5 105C	6.00000
PCS CA	P Y N 0.00%			06/05/2005		
					600V DIC PACKING : 1K PCS/BAG	
1	8092-0101-1004				HOLE PLUG HP-10 DIA. 10mm	1.00000
PCS CA	P Y N 0.00%			06/05/2005		
					BLACK NYLON KSS	
1	8202-0625-9002				CABLE TIE 60 X 2.5 MM	7.00000
PCS CA	P Y N 0.00%			06/05/2005		
					NYLON NATURAL COLOUR	
1	8202-1025-9002				CABLE TIE 100 X 2.5 MM	3.00000
PCS CA	P Y N 0.00%			06/05/2005		
					NYLON NATURAL COLOUR	
1	8250-4620-1080				PLASTIC FOOT DIA20mm 9.6mm THK	4.00000
PCS CA	P Y N 0.00%			06/05/2005		
					BLK FF-2 INSERT PIN	
1	8260-1824-8190				HANDLE 180X24MM DARK GREY BECT	1.00000
PCS CA	P Y N 0.00%			06/05/2005		
					ZINC ALLOY HOUSING	
0	SPS-9620-DC-000				SPS-9620-DC-000 MATERIAL FOR	1.00000
SET DC	M N N 0.00%			06/05/2005		
					DC-DC MODULE	
1	8750-9620-1099				SUB-ASSEMBLY FOR SPS-9620	1.00000
SET IN	M N N 0.00%			04/05/2004		
					AUX. PCB INSERTION	
2	0503-1201-0611				FUSIBLE METAL FILM RESISTOR	4.00000
PCS IN	P Y N 0.00%			04/05/2004		
					1/4W 12ohm +/-5% "HK RESISTOR"	

SPS-9620-327 BOM.TXT

2 0512-1003-0611 Location : R58, R59, R66, R67.
 PCS IN P Y N 0.00% CARBON FILM RESI STOR 2.00000
 07/01/2005
 1/8W 1Kohm +/-5% T/B
 Location : R99, R100.

PG ID: MBMROO
 LTD

Date: 07/11/2005 19:07:06

Bills Of Material Component

Listing Page: 6

Ref. No:

Model #: SPS-9620-327
 MODE POWER SUPPLY

Description: 13.8VDC FIXED 120A SWITCHING

Rev Date: 19/10/2005

Speci fication:

Veri fy :

Brand Name :

Type : *

Level	Code #	Description/Remarks	Usage
U/M Op	PMS Iss Sp Scrp Net.Wt Ftr Rev Date		
2	0512-1004-0611	CARBON FILM RESI STOR	1.00000
PCS IN	P Y N 0.00%	19/05/2004 1/8W 10Kohm +/-5% T/B Location : R103.	
2	0512-1005-0611	CARBON FILM RESI STOR	2.00000
PCS IN	P Y N 0.00%	19/05/2004 1/8W 100Kohm +/-5% T/B Location : R71, R81.	
2	0512-1205-0611	CARBON FILM RESI STOR	1.00000
PCS IN	P Y N 0.00%	04/05/2004 1/8W 120Kohm +/-5% T/B Location : R47	
2	0512-1504-0611	CARBON FILM RESI STOR	1.00000
PCS IN	P Y N 0.00%	04/05/2004 1/8W 15Kohm +/-5% T/B Location : R44	
2	0512-2203-0611	CARBON FILM RESI STOR	1.00000
PCS IN	P Y N 0.00%	04/05/2004 1/8W 2.2Kohm +/-5% T/B Location : R87	
2	0512-2204-0611	CARBON FILM RESI STOR	1.00000
PCS IN	P Y N 0.00%	04/05/2004 1/8W 22Kohm +/-5% T/B Location : R89.	
2	0512-3003-0611	CARBON FILM RESI STOR	4.00000
PCS IN	P Y N 0.00%	07/01/2005 1/8W 3Kohm +/-5% T/B Location : R43, R40, R50, R61.	
2	0512-3302-0611	CARBON FILM RESI STOR	2.00000
PCS IN	P Y N 0.00%	04/05/2004 1/8W 330ohm +/-5% T/B Location : R60, R107.	
2	0512-3903-0611	CARBON FILM RESI STOR	1.00000
PCS IN	P Y N 0.00%	19/05/2004 1/8W 3.9Kohm +/-5% T/B Location : R98.	
2	0512-3905-0611	CARBON FILM RESI STOR	1.00000
PCS IN	P Y N 0.00%	04/05/2004 1/8W 390Kohm +/-5% T/B Location : R86	
2	0512-4303-0611	CARBON FILM RESI STOR	1.00000
PCS IN	P Y N 0.00%	04/05/2004 1/8W 4.3Kohm +/-5% T/B	

SPS-9620-327 BOM.TXT

2	0512-4703-0611	Locati on :	R48.	
PCS IN	P Y N 0.00%		CARBON FILM RESI STOR	2.00000
			04/05/2004	
			1/8W 4.7Kohm +/-5% T/B	
2	0512-5103-0611	Locati on :	R51, R42.	
PCS IN	P Y N 0.00%		CARBON FILM RESI STOR	1.00000
			04/05/2004	
			1/8W 5.1Kohm +/-5% T/B	
2	0512-5602-0611	Locati on :	R142.	
PCS IN	P Y N 0.00%		CARBON FILM RESI STOR	1.00000
			04/05/2004	
			1/8W 560ohm +/-5% T/B	
		Locati on :	R88	

PG ID: MBMROO
LTD

Date: 07/11/2005 19:07:06

Bills Of Material Component

Listing Page: 7

Ref. No:
Model #: SPS-9620-327
MODE POWER SUPPLY

Descripti on: 13.8VDC FIXED 120A SWITCHING

Rev Date: 19/10/2005

Speci fi cati on:

Veri fy :
Brand Name :
Type : *

Level	Code #		Descripti on/Remarks	Usage
U/M Op	PMS Iss Sp	Scrp	Net.Wt Ftr Rev Date	
2	0513-1001-0611		CARBON FILM RESI STOR	4.00000
PCS IN	P Y N 0.00%		04/05/2004	
			1/4W 10ohm +/-5% T/B	
2	0513-3003-0611	Locati on :	R55, R63, R57, R65.	
PCS IN	P Y N 0.00%		CARBON FILM RESI STOR	1.00000
			04/05/2004	
			1/4W 3Kohm +/-5% T/B	
2	0513-4702-0611	Locati on :	R49.	
PCS IN	P Y N 0.00%		CARBON FILM RESI STOR	2.00000
			04/05/2004	
			1/4W 470ohm +/-5% T/B	
2	0513-5103-0611	Locati on :	R54, R62.	
PCS IN	P Y N 0.00%		CARBON FILM RESI STOR	2.00000
			04/05/2004	
			1/4W 5.1Kohm +/-5% T/B	
2	0513-6802-0611	Locati on :	R56, R64.	
PCS IN	P Y N 0.00%		CARBON FILM RESI STOR	2.00000
			04/05/2004	
			1/4W 680ohm +/-5% T/B	
2	0514-2205-0611	Locati on :	R52, R53.	
PCS IN	P Y N 0.00%		CARBON FILM RESI STOR	2.00000
			10/11/2004	
			1/2W 220Kohm +/-5% T/B	
2	0521-1001-0411	Locati on :	C60, C61.	
PCS IN	P Y N 0.00%		METAL FILM RESI STOR 1/8W	1.00000
			04/05/2004	
			10ohm +/-1% 50ppm T/B	
2	0521-1203-0411	Locati on :	R108	
PCS IN	P Y N 0.00%		METAL FILM RESI STOR	1.00000
			04/05/2004	
			1/8W 1.2Kohm +/-1% T/B	
2	0521-1205-0411	Locati on :	R85	
PCS IN	P Y N 0.00%		METAL FILM RESI STOR	1.00000
			09/10/2004	
			1/8W 120Kohm +/-1% T/B	

SPS-9620-327 BOM.TXT

2	0521-1504-0411	Locati on :	VR9.	
PCS IN	P Y N 0.00%		METAL FILM RESI STOR	1.00000
			04/05/2004	
			1/8W 15Kohm +/-1% T/B	
2	0521-2004-0411	Locati on :	R45	
PCS IN	P Y N 0.00%		METAL FILM RESI STOR	1.00000
			04/05/2004	
			1/8W 20Kohm +/-1% T/B	
2	0521-2005-0411	Locati on :	R84	
PCS IN	P Y N 0.00%		METAL FILM RESI STOR	1.00000
			04/05/2004	
			1/8W 200Kohm +/-1% T/B	
2	0521-3303-0411	Locati on :	R82	
PCS IN	P Y N 0.00%		METAL FILM RESI STOR	1.00000
			28/05/2005	
			1/8W 3.3Kohm +/-1% T/B	
2	0521-3902-0411	Locati on :	R46	
PCS IN	P Y N 0.00%		METAL FILM RESI STOR	1.00000
			20/05/2004	
			1/8W 390ohm +/-1% T/B	
		Locati on :	R105.	

PG ID: MBMROO
LTD

Date: 07/11/2005 19:07:06

Bills Of Material Component

Listing

Page: 8

Ref. No:

Model #: SPS-9620-327
MODE POWER SUPPLY

Descripti on: 13.8VDC FIXED 120A SWITCHING

Rev Date: 19/10/2005

Speci fi cati on:

Veri fy :

Brand Name :

Type : *

Level	Code #	Description/Remarks	Usage
U/M Op	PMS Iss Sp Scrp	Net.Wt Ftr Rev Date	
2	0521-5104-0411	METAL FILM RESI STOR	1.00000
PCS IN	P Y N 0.00%	04/05/2004	
		1/8W 51Kohm +/-1% T/B	
2	0521-6203-0411	Locati on :	
PCS IN	P Y N 0.00%	R91	1.00000
		METAL FILM RESI STOR	
		04/05/2004	
		1/8W 6.2K +/-1% T/B	
2	0521-9103-0411	Locati on :	
PCS IN	P Y N 0.00%	R83	1.00000
		METAL FILM RESI STOR	
		04/05/2004	
		1/8W 9.1Kohm +/-1% T/B	
2	0522-1504-0411	Locati on :	
PCS IN	P Y N 0.00%	R90	1.00000
		METAL FILM RESI STOR	
		04/05/2004	
		1/4W 15Kohm +/-1% T/B	
2	0534-1501-0611	Locati on :	
PCS IN	P Y N 0.00%	R92	2.00000
		METAL OXIDE RESI STOR 15ohm 1W	
		04/05/2004	
		+/-5%	
2	0536-4701-0611	Locati on :	
PCS IN	P Y N 0.00%	R69, R70.	2.00000
		METAL OXIDE RESI STOR 47ohm	
		04/05/2004	
		3W +/-5% WI RE LENGTH=30mm	
2	0555-1002-0616	Locati on :	
PCS IN	P Y N 0.00%	R68, R121.	1.00000
		WI RE WOUND RESI STOR 5W 100ohm	
		04/05/2004	
		+/-5% CEMENT TYPE	

SPS-9620-327 BOM. TXT

2	0686-2202-0000					Location :	R73.	
PCS IN	P Y N 0.00%						TRIMMER POT 3296W BOURNS	1.00000
							20/05/2004	
							B200 +/-10% 0.5W 25 TURNS	
2	1011-1031-0171					Location :	VR5.	
PCS IN	P Y N 0.00%						CERAMIC CAPACITOR 0.001UF 50V	1.00000
							25/06/2004	
							+80%/-20%	
2	1011-1032-0291					Location :	C87.	
PCS IN	P Y N 0.00%						CERAMIC CAPACITOR 1000PF 1KV	6.00000
							25/06/2004	
							+/-20%	
2	1011-1041-0171					Location :	C57, C61, C63-C66.	
PCS IN	P Y N 0.00%						CERAMIC CAPACITOR 0.01UF 50V	5.00000
							23/10/2004	
							+80%/-20%	
2	1011-1051-0171					Location :	C101, C104, C77, C92, C122.	
PCS IN	P Y N 0.00%						CERAMIC CAPACITOR 0.1UF 50V	10.00000
							08/01/2005	
							+80%/-20%	
2	1011-1053-0139					Location :	C51, C54, C93, C82, C76, C86, C90, C91, C84, C160.	
PCS IN	P Y N 0.00%						CERAMIC CHIP CAPACITOR	1.00000
							04/05/2004	
							0805 X7R 0.1uF 50V +/-10%	
2	1011-2211-0151					Location :	C89	
PCS IN	P Y N 0.00%						CERAMIC CAPACITOR 22PF 25V	1.00000
							04/05/2004	
							+/-10%	
						Location :	C120	

PG ID: MBMROO LTD

Date: 07/11/2005 19:07:06

Bills Of Material Component

Listing

Page: 9

Ref. No:
Model #: SPS-9620-327
MODE POWER SUPPLY

Description: 13.8VDC FIXED 120A SWITCHING
Rev Date: 19/10/2005

Specification:
Verify :
Brand Name :
Type : *

Level	Code #					Description/Remarks	Usage
U/M Op	PMS Iss Sp	Scrp	Net.Wt	Ftr	Rev Date		
2	1011-4732-0261					CERAMIC CAPACITOR 4700PF 500V	2.00000
PCS IN	P Y N 0.00%					04/05/2004	
						+/-20%	
2	1011-5633-0179					Location :	C62, C67.
PCS IN	P Y N 0.00%						CERAMIC CHIP CAPACITOR
							04/05/2004
							0805 X7R 0.0056uF 50V +/-10%
2	1021-1072-0171					Location :	C88
PCS IN	P Y N 0.00%						ELECT. CAPACITOR 10UF 50V
							04/05/2004
							+/-20% DIM. 5 X 11 MM "GS"
2	1021-1082-0311					Location :	C50, C40, C42.
PCS IN	P Y N 0.00%						ELECT. CAPACITOR 100UF 25V
							04/05/2004
							105C +/-20% DIM. 6. 3X11MM
2	1021-2262-0171					Location :	C102
							ELECT. CAPACITOR 2.2UF 50V
							1.00000

SPS-9620-327 BOM.TXT

PCS IN	P	Y	N	0.00%		04/05/2004			
							+/-20% DIM. 5 X 11 MM		
2							Locati on :	C83	
PCS IN	P	Y	N	0.00%	1021-4772-0151	09/10/2004		ELECT. CAPACITOR 47UF 25V	3.00000
								+/-20% DIM. 5 X 11 MM	
2							Locati on :	C53, C55, C56.	
PCS IN	P	Y	N	0.00%	1022-1032-1311	18/06/2004		ELECT. CAPACITOR 1000uF 25V	2.00000
								105C +/-20% 13X20mm KF SERIES	
2							Locati on :	C73, C74.	
PCS IN	P	Y	N	0.00%	1023-2282-0381	04/05/2004		ELECT CAPACITOR 220uF 250V	2.00000
								105C +/-20% DIM. 22X25mm	
2							Locati on :	C48, C60.	
PCS IN	P	Y	N	0.00%	1024-2232-0311	18/06/2004		ELECT CAPACITOR 2200uF 25V	1.00000
								105C +/-20% DIM. 16X25mm	
2							Locati on :	C71.	
PCS IN	P	Y	N	0.00%	1024-6832-0311	04/05/2004		ELECT CAPACITOR 6800uF 25V	1.00000
								105C +/-20% DIM. 18X40mm	
2							Locati on :	C70	
PCS IN	P	Y	N	0.00%	1035-1542-0241	04/05/2004		METALLIZED CAP. 0.015uF 275VAC	1.00000
								X2 +/-10% PITCH=10.0mm	
2							Locati on :	C130	
PCS IN	P	Y	N	0.00%	1061-2253-0271	04/05/2004		METALLIZED POLYESTER CAP.	2.00000
								0.22uF 630V +/-10% PITCH=20mm	
2							Locati on :	C16, C144.	
PCS IN	P	Y	N	0.00%	1061-3363-0231	10/11/2004		METALLIZED POLYESTER CAP.	1.00000
								3.3uF 250V +/-10% (MEF) CARLI	
2							Locati on :	C41.	
PCS IN	P	Y	N	0.00%	1062-1054-0181	07/01/2005		METALLIZED POLYESTER CAP	1.00000
								0.1UF 63VDC +/-5% BOX TYPE	
							Locati on :	C85.	

PG ID: MBMROO LTD

Date: 07/11/2005 19:07:06

Bills Of Material Component

Listing

Page: 10

Ref. No:
Model #: SPS-9620-327
MODE POWER SUPPLY

Description: 13.8VDC FIXED 120A SWITCHING

Rev Date: 19/10/2005

Specifi cation:

Veri fy :

Brand Name :

Type : *

Level	Code #				Description/Remarks	Usage
U/M Op	PMS Iss Sp	Scrp	Net.Wt	Ftr Rev Date		
2	1094-1033-0171				MYLAR CAPACITOR 0.001UF 50V	1.00000
PCS IN	P	Y	N	0.00%	04/05/2004	
					+/-10% PEI "CARLI "	
2	1094-2253-0191				Locati on :	
PCS IN	P	Y	N	0.00%	04/05/2004	
					MYLAR CAPACITOR 0.22UF 100V	1.00000
					+/-10% PEI "CARLI "	
2	1094-4733-1191				Locati on :	
					C72	
					MYLAR CAPACITOR 0.0047UF 100V	2.00000

SPS-9620-327 BOM.TXT

PCS IN	P	Y	N	0.00%		04/05/2004		
						+/-10% PITCH=5mm PEI "CARLI"		
2					1095-1062-1171	Locati on :	C58, C59	
PCS IN	P	Y	N	0.00%			MONO CAPACITOR 1UF / 50V	2.00000
							19/05/2004	
							+/-20% "DUANHUA"	
2					1501-5010-2812	Locati on :	C68, C103.	
PCS IN	P	Y	N	0.00%			POWER INDUCTOR 28uH +/-20%	2.00000
							04/05/2004	
							50mA "TOP VIEW"	
2					2531-7809-0199	Locati on :	L13, L14.	
PCS IN	P	Y	N	0.00%			IC 78L09CP POSITIVE VOLTAGE	1.00000
							04/05/2004	
							REGULATOR "JRC" TO-92	
2					2531-7909-0199	Locati on :	U7	
PCS IN	P	Y	N	0.00%			IC 79L09CP NEGATIVE VOLTAGE	1.00000
							04/05/2004	
							REGULATOR "JRC" TO-92	
2					2533-0494-0210	Locati on :	U8	
PCS IN	P	Y	N	0.00%			IC TL494CN PWM CONTROLLER "TI"	1.00000
							04/05/2004	
							U3	
2					2541-0027-0211	Locati on :	IC OP27GP LOW-NOISE HIGH-SPEED	1.00000
PCS IN	P	Y	N	0.00%			04/05/2004	
							PRECISION OP-AMP	
2					2541-0324-0061	Locati on :	U5	
PCS IN	P	Y	N	0.00%			IC LM324N "ST" LOW POWER QUAD	1.00000
							04/05/2004	
							OP-AMP	
2					2541-0358-5061	Locati on :	U6	
PCS IN	P	Y	N	0.00%			IC LM358 "ST"	1.00000
							04/05/2004	
							LOW POWER DUAL OP-AMP	
2					2561-5211-0241	Locati on :	U4	
PCS IN	P	Y	N	0.00%			IC TLP521-1 PHOTO-TRANSISTOR	1.00000
							04/05/2004	
							RANK GR "TOSHI BA"	
2					3010-2120-2471	Locati on :	PC2.	
PCS IN	P	Y	N	0.00%			NPN GENERAL PURPOSE TRANSISTOR	2.00000
							04/05/2004	
							2SC2120Y(TE2) "TOSHI BA" TO-92	
2					3023-0950-2471	Locati on :	Q12, Q14.	
PCS IN	P	Y	N	0.00%			POWER PNP TRANSISTOR	5.00000
							04/05/2004	
							2SA950Y(TE2) "TOSHI BA" TO-92	
2					3201-4148-9002	Locati on :	Q13, Q15-Q17, Q24.	
PCS IN	P	Y	N	0.00%			Si SIGNAL DIODE 1N4148 TNR	5.00000
							04/05/2004	
							"VI SHAY"	
						Locati on :	D10, D11, D14-D15, D18.	

PG ID: MBMROO
LTD

Date: 07/11/2005 19:07:06

Bills Of Material Component

Listing

Page: 11

Ref. No:
Model #: SPS-9620-327
MODE POWER SUPPLY

Descripti on: 13.8VDC FIXED 120A SWITCHING

Rev Date: 19/10/2005

Speci fi cati on:

Veri fy :

Brand Name :

Type : *

Level	Code #	Description/Remarks	Usage
U/M Op	PMS Iss Sp Scrp	Net.Wt Ftr Rev Date	

SPS-9620-327 BOM. TXT

2	3261-1511-0002	ZENER DIODE 15V 1W TNR	2.00000
PCS IN	P Y N 0.00%	04/05/2004 "1N4744A"	
		Locati on : ZD5, ZD6.	
2	3601-3201-1301	METAL OXIDE VARI STOR	1.00000
PCS IN	P Y N 0.00%	04/05/2004 "Li ttel fuse" V320LA20A	
		Locati on : M2	
2	3680-0803-0002	FUSE 8A 250V W/UL, CSA & T-MARK	1.00000
PCS IN	P Y N 0.00%	04/05/2004 20mm STANDARD GLASS TUBE	
		Locati on : F5	
2	3681-1004-1602	FUSE 10A 250V "BUSSMANN" MDA	2.00000
PCS IN	P Y N 0.00%	04/05/2004 1/4" TIME-LAG CERAMI C TUBE	
		Locati on : F1, F2.	
2	4351-0903-5215	WI RE ASSEMBLY UL1007 #22	1.00000
PCS IN	P Y N 0.00%	04/05/2004 3PIN X90mm W/STM HOUSING X 2	
		Locati on : CN1B	
2	4541-9600-0212	PCB FOR SPS-9600 (DC-DC)	1.00000
PCS IN	P Y N 0.00%	10/11/2004 REV. 2 FR4 94V0 1.6mm THK.	
2	4541-9600-1212	PCB FOR SPS-9600 (CONTROL)	1.00000
PCS IN	P Y N 0.00%	22/02/2005 REV. 2 1/0 FR4 94V0 SINGLE SIDE	
2	4700-0502-2277	WI RE UL1015 AWG#16 RED	1.00000
PCS IN	P Y N 0.00%	20/05/2004 5+50+5 ENDS W/SOLDER DI PPED	
		Locati on : C-C.	
2	4700-0601-2274	WI RE UL1015 AWG#16 BROWN	1.00000
PCS IN	P Y N 0.00%	04/05/2004 5+60+6mm 5mm W/SOLDER DI PPED	
		Locati on : PT2B	
2	4700-0606-2274	WI RE UL1015 AWG#16 BLUE	1.00000
PCS IN	P Y N 0.00%	04/05/2004 5+60+6mm 5mm W/SOLDER DI PPED	
		Locati on : PT1B	
2	4700-0900-0277	WI RE UL1015 AWG#10 BLACK	2.00000
PCS IN	P Y N 0.00%	18/06/2004 5+90+5mm ENDS W/SOLDER DI PPED	
		Locati on : G1, G2.	
2	4751-0051-4405	BARE JUMPER WI RE	11.00000
PCS IN	P Y N 0.00%	25/06/2004 DIA. 0.6mm L=5mm	
		Locati on : J18, J11, J9, J4, J1, J19, CN10, CN11. CN4, R101, J30.	
2	4751-0101-4405	BARE JUMPER WI RE	5.00000
PCS IN	P Y N 0.00%	04/05/2004 DIA. 0.6mm L=10mm	
		Locati on : J2, J5, J7, J13, J21.	
2	4751-0179-3022	BARE JUMPER WI RE DIA 0.6mm	3.00000
PCS IN	P Y N 0.00%	04/05/2004 5+7+5mm	
		Locati on : J3, J16, J20.	

PG ID: MBMROO
LTD

Date: 07/11/2005 19:07:06

Bills Of Material Component

Listing

Page: 12

Ref. No:
Model #: SPS-9620-327
MODE POWER SUPPLY

Descripti on: 13.8VDC FIXED 120A SWIT CHI NG
Rev Date: 19/10/2005

Seite 13

SPS-9620-327 BOM.TXT
 Specification:
 Verify :
 Brand Name :
 Type : *

Level	Code #	Description/Remarks			Usage
U/M Op	PMS Iss Sp Scrp	Net.Wt	Ftr Rev Date		
2	4751-0269-4022			BARE JUMPER WIRE	2.00000
PCS IN	P Y N 0.00%			04/05/2004 DIA. 1.81mm L=5+16+5mm J6A, J6B.	
2	4751-0289-6022			BARE JUMPER WIRE DIA 1.45mm	2.00000
PCS IN	P Y N 0.00%			25/06/2004 5+18+5mm Locati on : REL2, REL3.	
2	4751-0369-4022			BARE JUMPER WIRE	1.00000
PCS IN	P Y N 0.00%			04/05/2004 DIA. 1.81mm L=5+26+5mm Locati on : J6	
2	4751-0409-4044			BARE JUMPER WIRE	0.38500
PCS IN	P Y N 0.00%			04/05/2004 DIA. 1.8mm L=10+20+10mm	
2	4761-0009-3810			PVC TUBE DIA. 3.76mm W/UL	0.22000
M IN	P Y N 0.00%			04/05/2004 VW-1 TRANSPARENT "KYOWA" Locati on : L/O, N/O, PT1B, PT2B.	
2	4767-0009-1071			TEFLON SLEEVING AWG#18 T-TYPE	0.00600
M IN	P Y N 0.00%			25/06/2004 I. D. =1.07mm TRANSPARENT Locati on : R68.	
2	4767-0009-1501			TEFLON SLEEVING AWG#15 T-TYPE	0.00150
M IN	P Y N 0.00%			06/06/2005 I. D. =1.50mm TRANSPARENT Locati on : R121	
2	4767-0009-2161			TEFLON SLEEVING AWG#12 T-TYPE	0.02600
M IN	P Y N 0.00%			04/05/2004 I. D. =2.16mm TRANSPARENT Locati on : J6	
2	4770-3009-5000			MANGANESE COPPER WIRE (SHUNT)	1.00000
PCS IN	P Y N 0.00%			04/05/2004 DIA. 3.0MMX220MM Locati on : SH1, SH2, SH3, SH4.	
2	4782-0000-1210			HEAT SHRINKABLE TUBE BLACK	0.02000
M IN	P Y N 0.00%			04/05/2004 DIA. 12MM UL224 Locati on : M2	
2	6890-0950-0000			COPPER CONDUCTOR FOR ME-950	4.00000
PCS IN	P Y N 0.00%			04/05/2004 14mm(W)X88.5(L)X1.0mm THK. Locati on : CC1, CC2.	
2	6890-0950-0001			COPPER CONDUCTOR FOR ME-950	2.00000
PCS IN	P Y N 0.00%			04/05/2004 14mm(W)X54.5(L)X1.0mm THK. Locati on : CC3	
2	6890-0950-0002			COPPER CONDUCTOR FOR ME-950	2.00000
PCS IN	P Y N 0.00%			04/05/2004 14mm(W)X37.5(L)X1.0mm THK. Locati on : CC4	
2	7031-0524-1001			250 SLIP-ON RECEPTACLE MOLEX	2.00000
PCS IN	P Y N 0.00%			07/01/2005 END-FEED P/N: 35725-2410 0.8TAB Locati on : PT1B, PT2B.	

LTD
 Listing

Page: 13

Ref. No:
 Model #: SPS-9620-327
 MODE POWER SUPPLY

Description: 13.8VDC FIXED 120A SWITCHING
 Rev Date: 19/10/2005
 Specification:
 Verify :
 Brand Name :
 Type : *

Level	Code #	Description/Remarks	Usage
U/M Op	PMS Iss Sp Scrp Net.Wt Ftr Rev Date		
2	7040-0000-1214	FASTON TAB TERMINAL 250	4.00000
PCS IN	P Y N 0.00%	19/05/2004 BRASS W/TIN PLATED P-850	
		Location : PT3B, PT4B, AC/L, AC/N.	
2	7050-0208-2911	2 PIN SHROUDED HEADER (180)	2.00000
PCS IN	P Y N 0.00%	25/06/2004 M241852 "STM" TOP ENTRY TYPE	
		Location : FAN, CN10.	
2	7054-0205-2012	PIN HEADER RIGHT ANGLE 2 PIN	1.00000
PCS IN	P Y N 0.00%	04/05/2004 WAFER P=2.54mm 2211R-02G-LP	
2	7054-0410-2012	PIN HEADER RIGHT ANGEL 4PIN	1.00000
PCS IN	P Y N 0.00%	04/05/2004 WAFER P=2.54MM PHB101-042A02	
2	7054-0822-2012	PIN HEADER RIGHT ANGLE 8PIN	1.00000
PCS IN	P Y N 0.00%	04/05/2004 WAFER P=2.54mm PHB-101-0802A02	
2	7406-3007-5001	SOLDERING PLATE M3X7X5.5	1.00000
PCS IN	P Y N 0.00%	25/05/2005 0.5mmTHK. BRASS W/NI PLATING	
		Location : TAP1.	
2	8030-0010-1910	FUSE CLIP P.C. BOARD TYPE	2.00000
PCS IN	P Y N 0.00%	04/05/2004 FOR DIA. 5.2mm FUSE JEF-501	
		Location : F5.	
2	8030-0015-1913	FUSE CLIP P.C. BOARD TYPE	4.00000
PCS IN	P Y N 0.00%	04/05/2004 FOR 1/4" FUSE 15A JEF-505	
		Location : F1, F2.	
2	8081-0453-0107	250 PVC SLEEVE DFA-25-3.5 105C	2.00000
PCS IN	P Y N 0.00%	07/01/2005 600V DIC PACKING : 1K PCS/BAG	
2	8710-8400-0099	DRIVER TRANSFORMER ASSEMBLY	1.00000
SET IN	M N N 0.00%	04/05/2004 (D8400000, HIT-51-TR3)	
		Location : TR2	
3	2120-0019-1601	FERRITE CORE EEL-19 T2	1.00000
PRS TR	P Y N 0.00%	23/01/2003 ui ac : 2800 "TAK"	
3	2171-1019-7601	PHENOLIC TRANSFORMER BOBBIN	1.00000
PCS TR	P Y N 0.00%	07/09/2000 EE19X22 (ISEC 10 PIN)	
3	4767-0009-0381	TEFLON SLEEVI NG AWG#28 T-TYPE	0.09000
M TR	P Y N 0.00%	27/12/2001 I. D. =0.38mm TRANSPARENT	
3	4793-0270-0000	ROUND PEW MAGNET WIRE	0.00200
KGS TR	P Y N 0.00%	27/12/2001 DIA. 0.27mm	
2	8761-9600-0099	OUTPUT FILTER INDUCTOR	1.00000
SET IN	M N N 0.00%	04/05/2004 0.6uH/60A	

SPS-9620-327 BOM.TXT

3	4793-3500-0000	Location :	L12	
KGS TR	P Y N 0.00%		ROUND PEW MAGNET WIRE	0.04600
			17/04/2003	
			DIA. 3.5mm	
2	8761-9600-3099		OUTPUT FILTER INDUCTOR	1.00000
PCS IN	M N N 0.00%		04/05/2004	
			SUB. ASSEMBLY 14UH/60A	
3	2120-0042-1003	Location :	L11	
PRS TR	P Y N 0.00%		FERRITE CORE EER-42K-Z MB3	1.00000
			11/12/2002	
			"JFE"	

PG ID: MBMROO
LTD

Date: 07/11/2005 19:07:06
M
Bills Of Material Component

Listing Page: 14

Ref. No: Description: 13.8VDC FIXED 120A SWITCHING
Model #: SPS-9620-327 Rev Date: 19/10/2005
MODE POWER SUPPLY Specification:
Verify :
Brand Name :
Type : *

Level	Code #	Description/Remarks			Usage
U/M Op	PMS Iss Sp	Scrp	Net.Wt	Ftr Rev Date	
3	2171-1042-7529			PHENOLIC TRANSFORMER BOBBIN	1.00000
PCS TR	P Y N 0.00%			09/08/2003	
				ER-4201(ER-42X15, 14P)"HO JINN"	
3	4793-1200-0000			ROUND PEW MAGNET WIRE	0.06700
KGS TR	P Y N 0.00%			03/03/2004	
				DIA. 1.20mm 155C	
2	SPS-9600-TR-000			SPS-9600-000 MATERIAL FOR	1.00000
SET IN	M N N 0.00%			04/05/2004	
				TRANSFORMER (T9600000)	
3	2120-0055-1002	Location :	TR3	FERRITE CORE EE-55-Z MB3	1.00000
PRS TR	P Y N 0.00%			11/12/2002	
				Ae=353mmsq "JFE"	
3	2171-1055-7511			PHENOLIC TRANSFORMER BOBBIN	1.00000
PCS TR	P Y N 0.00%			11/12/2002	
				EE-5521 (EE-55, 14P)"HO JINN"	
3	4700-0152-0269			WIRE UL1015 AWG#12 RED	2.00000
PCS TR	P Y N 0.00%			29/11/2003	
				4+15+10mm ENDS W/SOLDER DIPPED	
3	4709-0700-0679			WIRE UL1028 AWG#8 BLACK	1.00000
PCS TR	P Y N 0.00%			09/03/2004	
				5+70+10mm ENDS W/SOLDER DIPPED	
3	4767-0009-2161			TEFLON SLEEVING AWG#12 T-TYPE	0.02000
M TR	P Y N 0.00%			04/03/2004	
				I. D. =2.16mm TRANSPARENT	
3	4793-0900-0000			ROUND PEW MAGNET WIRE	0.03050
KGS TR	P Y N 0.00%			28/11/2003	
				DIA. 0.90mm 155C	
3	6998-0025-0402			COPPER SHEET 25mm +0.5/-0(W)	0.04500
KGS TR	P Y N 0.00%			03/03/2004	
				x0.4mm THK	
1	SPS-9620-DC-CA-000			SPS-9620-DC-000 MATERIAL FOR	2.00000
SET IN	M N N 0.00%			05/05/2004	
				CASING	
2	3111-2837-2404			N-CHANNEL POWER MOSFET	4.00000
PCS CA	P Y N 0.00%			05/05/2004	
				2SK2837 "TOSHI BA"	

SPS-9620-327 BOM.TXT

2	3252-4010-9018							Location : Q18-Q21.	
PCS CA	P Y N	0.00%						SCHOTTKY RECTIFIER 40CPQ100	2.00000
								05/05/2004	
								100V/40A T0-247AC "IR"	
2	3631-0104-0140-0010							Location : D12, D13.	
PCS CA	P Y N	0.00%						NTC THERMISTOR GU103JG 10Kohm	1.00000
								17/08/2005	
								25DEG +/-5% B=3720K D0-35"DAE"	
2	4709-1200-0274							Location : RT	
PCS CA	P Y N	0.00%						WIRE UL1015 AWG#10 BLACK	1.00000
								23/03/2005	
								10+120+5 5mm W/SOLDER DIPPED	
2	4709-1300-0274							Location : RT	
PCS CA	P Y N	0.00%						WIRE UL1015 AWG#10 BLACK	1.00000
								23/03/2005	
								10+130+5 5mm W/SOLDER DIPPED	
2	4709-1302-0274							Location : RT	
PCS CA	P Y N	0.00%						WIRE UL1015 AWG#10 RED	1.00000
								23/03/2005	
								10+130+5 5mm W/SOLDER DIPPED	
2	4709-1402-0274							Location : RT	
PCS CA	P Y N	0.00%						WIRE UL1015 AWG#10 RED	1.00000
								23/03/2005	
								10+140+5 5mm W/SOLDER DIPPED	
2	4761-0009-9610							Location : C2, C3.	
M CA	P Y N	0.00%						PVC TUBE OD 10.65MM ID 9.65MM	0.04400
								05/05/2004	
								(3/8") W/UL VW-1 TRANSPARENT	

PG ID: MBMROO
LTD

Date: 07/11/2005 19:07:06

Bills Of Material Component

Listing

Page: 15

Ref. No:
Model #: SPS-9620-327
MODE POWER SUPPLY

Description: 13.8VDC FIXED 120A SWITCHING

Rev Date: 19/10/2005

Specification:

Verify :
Brand Name :
Type : *

Level	Code #					Description/Remarks	Usage
U/M Op	PMS Iss Sp	Scrp	Net.Wt	Ftr	Rev Date		
2	4782-0000-1010					HEAT SHRINKABLE TUBE BLACK	0.04000
M CA	P Y N	0.00%				05/05/2004	
						DIA. 10mm UL224	
2	4782-0000-1210					HEAT SHRINKABLE TUBE BLACK	0.02000
M CA	P Y N	0.00%				05/05/2004	
						DIA. 12MM UL224	
2	6701-9601-0002					HEAT SINK FOR SPS-9600	1.00000
PCS CA	P Y N	0.00%				05/05/2004	
						W=65, H=20 10FIN L=140MM	
2	6701-9601-0004					HEAT SINK FOR SPS-9600	1.00000
PCS CA	P Y N	0.00%				05/05/2004	
						140X35X20X3mm THK. ALUMINIUM	
2	6701-9601-0005					HEAT SINK FOR SPS-9600	1.00000
PCS CA	P Y N	0.00%				05/05/2004	
						149X81X3mm THK. ALUMINIUM	
2	6701-9601-0011					HEAT SINK FOR SPS-9600	1.00000
PCS CA	M N N	0.00%				21/05/2005	
						150X60X13mm 3mmTHK AL. WITH	
3	6701-9601-0001					HEAT SINK FOR SPS-9600	1.00000

SPS-9620-327 BOM.TXT

PCS CA	P	Y	N	0.00%	21/05/2005	150X60X13mm 3mm THK ALUMINIUM	
3						CLINCHING NUT TC-M3-1 ZNU	6.00000
SET CA	P	Y	N	0.00%	21/05/2005	M3X0.5 (M-O-NCNM3U)	
2						SCREW WIRE TERMINAL ST-20-8	3.00000
PCS CA	P	Y	N	0.00%	29/10/2004		
					Locati on :	O/P.	
2						SCREW M3X6X0.5 W/Ni PLATING	6.00000
PCS CA	P	Y	N	0.00%	05/05/2004		
						BINDING HEAD CROSS DRIVER	
2						SCREW M3X8X0.5 W/Ni PLATING	8.00000
PCS CA	P	Y	N	0.00%	05/05/2004		
					Locati on :	PAN HEAD CROSS DRIVER	
2						HT3, HT4.	
PCS CA	P	Y	N	0.00%		SCREW M3X10X0.5 W/Ni PLATING	2.00000
						05/05/2004	
					Locati on :	PAN HEAD CROSS DRIVER	
2						D12, D13.	
PCS CA	P	Y	N	0.00%		SCREW M3X12X0.5 W/Ni PLATING	4.00000
						05/05/2004	
					Locati on :	PAN HEAD CROSS DRIVER	
2						Q18-Q21.	
PCS CA	P	Y	N	0.00%		PLAN WASHER M3X8X0.5	14.00000
						05/05/2004	
					Locati on :	W/ZINC PLATING	
2						Q18-Q21, D12, D13, TH3.	
PCS CA	P	Y	N	0.00%		SPRING WASHER M3X5X0.7	13.00000
						05/05/2004	
					Locati on :	W/ZINC PLATING	
2						Q18-Q21, D12, D13.	
PCS CA	P	Y	N	0.00%		EXTERNAL TOOTH WASHER M3X6X0.9	1.00000
						05/05/2004	
2						BRASS STUD M3X0.5X30mm	4.00000
PCS CA	P	Y	N	0.00%		05/05/2004	
2						SILICON RUBBER 105X30X0.3mmTHK	1.00000
PCS CA	M	N	N	0.00%		05/05/2004	
					Locati on :	Q18, Q19, Q20, Q21.	

PG ID: MBMROO
LTD

Date: 07/11/2005 19:07:06

Bills Of Material Component

Listing

Page: 16

Ref. No:

Model #: SPS-9620-327
MODE POWER SUPPLY

Descripti on: 13.8VDC FIXED 120A SWITCHING

Rev Date: 19/10/2005

Speci fi cati on:

Veri fy :

Brand Name :

Type : *

Level	Code #				Descripti on/Remarks	Usage
U/M Op	PMS	Iss	Sp	Scrp	Net.Wt Ftr Rev Date	
3	8070-0030-0001				SILICON RUBBER	0.01170
M CA	P	Y	N	0.00%	28/11/2003	
2	8070-0110-0006				28CMX100CMX0.3MM THK	2.00000
PCS CA	P	Y	N	0.00%	MICA SHEET TO-3P3 THK 0.1mm	
					05/05/2004	
					Locati on :	D12, D13.
1	SPS-9620-DC-IN-000				SPS-9620-DC-000 MATERIALS FOR	1.00000
SET IN	M	N	N	0.00%	20/05/2004	
2	0503-1201-0611				INSERTION	4.00000
					FUSIBLE METAL FILM RESISTOR	

SPS-9620-327 BOM.TXT

PCS IN	P	Y	N	0.00%		19/05/2004	1/4W 12ohm +/-5% "HK RESISTOR"	
					Locati on :		R58, R59, R66, R67.	
2					0512-1003-0611		CARBON FILM RESISTOR	2.00000
PCS IN	P	Y	N	0.00%		19/05/2004	1/8W 1Kohm +/-5% T/B	
					Locati on :		R141, R100.	
2					0512-1004-0611		CARBON FILM RESISTOR	1.00000
PCS IN	P	Y	N	0.00%		19/05/2004	1/8W 10Kohm +/-5% T/B	
					Locati on :		R103.	
2					0512-1005-0611		CARBON FILM RESISTOR	2.00000
PCS IN	P	Y	N	0.00%		20/05/2004	1/8W 100Kohm +/-5% T/B	
					Locati on :		R71, R81.	
2					0512-1006-0611		CARBON FILM RESISTOR	1.00000
PCS IN	P	Y	N	0.00%		19/05/2004	1/8W 1Mohm +/-5% T/B	
					Locati on :		R72	
2					0512-1205-0611		CARBON FILM RESISTOR	1.00000
PCS IN	P	Y	N	0.00%		19/05/2004	1/8W 120Kohm +/-5% T/B	
					Locati on :		R47	
2					0512-1504-0611		CARBON FILM RESISTOR	1.00000
PCS IN	P	Y	N	0.00%		19/05/2004	1/8W 15Kohm +/-5% T/B	
					Locati on :		R44	
2					0512-2003-0611		CARBON FILM RESISTOR	3.00000
PCS IN	P	Y	N	0.00%		28/06/2004	1/8W 2Kohm +/-5% T/B	
					Locati on :		R94A, R95A, R143.	
2					0512-2203-0611		CARBON FILM RESISTOR	1.00000
PCS IN	P	Y	N	0.00%		19/05/2004	1/8W 2.2Kohm +/-5% T/B	
					Locati on :		R87	
2					0512-2204-0611		CARBON FILM RESISTOR	2.00000
PCS IN	P	Y	N	0.00%		19/05/2004	1/8W 22Kohm +/-5% T/B	
					Locati on :		R75, R89.	
2					0512-3003-0611		CARBON FILM RESISTOR	5.00000
PCS IN	P	Y	N	0.00%		19/05/2004	1/8W 3Kohm +/-5% T/B	
					Locati on :		R43, R99, R40, R50, R61.	
2					0512-3302-0611		CARBON FILM RESISTOR	2.00000
PCS IN	P	Y	N	0.00%		19/05/2004	1/8W 330ohm +/-5% T/B	
					Locati on :		R60, R107.	

PG ID: MBMROO
LTD

Date: 07/11/2005 19:07:06

Bills Of Material Component

Listing

Page: 17

Ref. No:

Model #: SPS-9620-327
MODE POWER SUPPLY

Descripti on: 13.8VDC FIXED 120A SWITCHING

Rev Date: 19/10/2005

Speci fi cati on:

Veri fy :
Brand Name :

Type : *

Level	Code #	Description/Remarks	Usage
U/M Op	PMS Iss Sp Scrp	Net.Wt Ftr Rev Date	
2	0512-3903-0611	CARBON FILM RESISTOR	2.00000

SPS-9620-327 BOM.TXT

PCS IN	P	Y	N	0.00%	19/05/2004	1/8W 3.9Kohm +/-5% T/B	
2						Location : R74, R98.	
PCS IN	P	Y	N	0.00%	0512-3905-0611	CARBON FILM RESISTOR	1.00000
2						Location : R86	
PCS IN	P	Y	N	0.00%	0512-4303-0611	CARBON FILM RESISTOR	2.00000
2						Location : R96, R48.	
PCS IN	P	Y	N	0.00%	0512-4703-0611	CARBON FILM RESISTOR	2.00000
2						Location : R51, R42.	
PCS IN	P	Y	N	0.00%	0512-5103-0611	CARBON FILM RESISTOR	3.00000
2						Location : R97, R140, R142.	
PCS IN	P	Y	N	0.00%	0512-5602-0611	CARBON FILM RESISTOR	1.00000
2						Location : R88	
PCS IN	P	Y	N	0.00%	0513-1001-0611	CARBON FILM RESISTOR	4.00000
2						Location : R55, R63, R57, R65.	
PCS IN	P	Y	N	0.00%	0513-1002-0611	CARBON FILM RESISTOR	1.00000
2						Location : R41	
PCS IN	P	Y	N	0.00%	0513-1505-0611	CARBON FILM RESISTOR	2.00000
2						Location : RA, RB.	
PCS IN	P	Y	N	0.00%	0513-3003-0611	CARBON FILM RESISTOR	1.00000
2						Location : R49.	
PCS IN	P	Y	N	0.00%	0513-4702-0611	CARBON FILM RESISTOR	2.00000
2						Location : R54, R62.	
PCS IN	P	Y	N	0.00%	0513-5103-0611	CARBON FILM RESISTOR	2.00000
2						Location : R56, R64.	
PCS IN	P	Y	N	0.00%	0513-6802-0611	CARBON FILM RESISTOR	2.00000
2						Location : R52, R53.	
PCS IN	P	Y	N	0.00%	0514-2205-0611	CARBON FILM RESISTOR	2.00000
						Location : C60, C61.	

PG ID: MBMROO
LTD

Date: 07/11/2005 19:07:06

Bills Of Material Component

Listing

Page: 18

Ref. No:
Model #: SPS-9620-327
MODE POWER SUPPLY

Description: 13.8VDC FIXED 120A SWITCHING
Rev Date: 19/10/2005
Specification:

Verify :
Brand Name :
Seite 20

SPS-9620-327 BOM.TXT
 Type : *

Level	Code #	Description/Remarks	Usage
U/M Op	PMS Iss Sp Scrp Net.Wt Ftr Rev Date		
2	0521-1001-0411	METAL FILM RESISTOR 1/8W	1.00000
PCS IN	P Y N 0.00%	19/05/2004 10ohm +/-1% 50ppm T/B Locati on : R108	
2	0521-1203-0411	METAL FILM RESISTOR	1.00000
PCS IN	P Y N 0.00%	19/05/2004 1/8W 1.2Kohm +/-1% T/B Locati on : R85	
2	0521-1502-7411	METAL FILM RESISTOR 1/8W	1.00000
PCS IN	P Y N 0.00%	22/05/2004 150ohm +/-1% 25ppm T/B Locati on : VR5.	
2	0521-1504-0411	METAL FILM RESISTOR	1.00000
PCS IN	P Y N 0.00%	19/05/2004 1/8W 15Kohm +/-1% T/B Locati on : R45	
2	0521-2004-0411	METAL FILM RESISTOR	1.00000
PCS IN	P Y N 0.00%	19/05/2004 1/8W 20Kohm +/-1% T/B Locati on : R84	
2	0521-2005-0411	METAL FILM RESISTOR	1.00000
PCS IN	P Y N 0.00%	19/05/2004 1/8W 200Kohm +/-1% T/B Locati on : R82	
2	0521-2202-0411	METAL FILM RESISTOR	1.00000
PCS IN	P Y N 0.00%	01/03/2005 1/8W 220ohm +/-1% T/B Locati on : R144	
2	0521-3302-0411	METAL FILM RESISTOR 1/8W	1.00000
PCS IN	P Y N 0.00%	07/01/2005 330ohm +/-1% 50ppm T/B Locati on : R105.	
2	0521-3303-0411	METAL FILM RESISTOR	2.00000
PCS IN	P Y N 0.00%	28/05/2005 1/8W 3.3Kohm +/-1% T/B Locati on : VR2, R46.	
2	0521-3903-0411	METAL FILM RESISTOR	2.00000
PCS IN	P Y N 0.00%	19/05/2004 1/8W 3.9Kohm +/-1% T/B Locati on : R76, R101.	
2	0521-5104-0411	METAL FILM RESISTOR	1.00000
PCS IN	P Y N 0.00%	19/05/2004 1/8W 51Kohm +/-1% T/B Locati on : R91	
2	0521-6203-0411	METAL FILM RESISTOR	1.00000
PCS IN	P Y N 0.00%	19/05/2004 1/8W 6.2K +/-1% T/B Locati on : R83	
2	0521-6803-0411	METAL FILM RESISTOR	1.00000
PCS IN	P Y N 0.00%	19/05/2004 1/8W 6.8Kohm +/-1% T/B Locati on : R102	
2	0521-8203-0411	METAL FILM RESISTOR	1.00000
PCS IN	P Y N 0.00%	19/05/2004 1/8W 8.2Kohm +/-1% T/B Locati on : R77.	

PG ID: MBMROO
 LTD

Date: 07/11/2005 19:07:06

Bills Of Material Component

Listing

Ref. No:
Model #: SPS-9620-327
MODE POWER SUPPLY

Description: 13.8VDC FIXED 120A SWITCHING
Rev Date: 19/10/2005
Specification:
Verify :
Brand Name :
Type : *

Level	Code #	Description/Remarks	Usage
U/M Op	PMS Iss Sp Scrp Net.Wt Ftr Rev Date		
2	0521-9103-0411	METAL FILM RESISTOR	1.00000
PCS IN	P Y N 0.00%	19/05/2004 1/8W 9.1Kohm +/-1% T/B Location : R90	
2	0522-1504-0411	METAL FILM RESISTOR	1.00000
PCS IN	P Y N 0.00%	19/05/2004 1/4W 15Kohm +/-1% T/B Location : R92	
2	0533-2201-0611	METAL OXIDE RESISTOR	4.00000
PCS IN	P Y N 0.00%	31/05/2004 1/2W 22ohm +/-5% Location : R110-R113.	
2	0534-1501-0611	METAL OXIDE RESISTOR 15ohm 1W	2.00000
PCS IN	P Y N 0.00%	19/05/2004 +/-5% Location : R69, R70.	
2	0536-4701-0611	METAL OXIDE RESISTOR 47ohm	2.00000
PCS IN	P Y N 0.00%	19/05/2004 3W +/-5% WIRE LENGTH=30mm Location : R68, R121.	
2	0555-1002-0616	WIRE WOUND RESISTOR 5W 100ohm	1.00000
PCS IN	P Y N 0.00%	19/05/2004 +/-5% CEMENT TYPE Location : R73.	
2	0685-2502-1110	SEMI-FIXED POTENTIOMETER	1.00000
PCS IN	P Y N 0.00%	01/03/2005 SCR-065A B500ohm +/-25% Location : VR1	
2	0685-2503-1110	SEMI-FIXED POTENTIOMETER	1.00000
PCS IN	P Y N 0.00%	08/01/2005 SCR-065A 5K(B) +/- 25% DIA. 6mm Location : VR4.	
2	1011-1032-0291	CERAMIC CAPACITOR 1000PF 1KV	7.00000
PCS IN	P Y N 0.00%	20/05/2004 +/-20% Location : C57, C61, C110, C63-C66.	
2	1011-1041-0171	CERAMIC CAPACITOR 0.01UF 50V	8.00000
PCS IN	P Y N 0.00%	28/06/2004 +80%/-20% Location : C101, C80, C78, C104, C77, C142, C92, C122.	
2	1011-1042-1261	CERAMIC CAPACITOR 0.01UF 500V	2.00000
PCS IN	P Y N 0.00%	19/05/2004 +80%/-20% Location : C140, C141.	
2	1011-1051-0171	CERAMIC CAPACITOR 0.1UF 50V	13.00000
PCS IN	P Y N 0.00%	24/01/2005 +80%/-20% Location : C51, C54, C93, C82, C79, C76, C86, C87, C90, C91, C99, C84, C160.	
2	1011-1053-0139	CERAMIC CHIP CAPACITOR	1.00000
PCS IN	P Y N 0.00%	19/05/2004	

SPS-9620-327 BOM.TXT
 0805 X7R 0.1uF 50V +/-10%
 Location : C89

PG ID: MBMROO
 LTD

Date: 07/11/2005 19:07:06

Bills Of Material Component

Listing

Page: 20

Ref. No:
 Model #: SPS-9620-327
 MODE POWER SUPPLY

Description: 13.8VDC FIXED 120A SWITCHING
 Rev Date: 19/10/2005
 Specification:
 Verify :
 Brand Name :
 Type : *

Level	Code #	Description/Remarks				Usage
U/M Op	PMS Iss Sp Scrp	Net.Wt	Ftr	Rev Date		
2	1011-2211-0151					
PCS IN	P Y N 0.00%			19/05/2004	1.00000	
				CERAMIC CAPACITOR 22PF 25V +/-10%		
				Location : C120		
2	1011-4732-0261					
PCS IN	P Y N 0.00%			19/05/2004	2.00000	
				CERAMIC CAPACITOR 4700PF 500V +/-20%		
				Location : C62, C67.		
2	1011-5633-0179					
PCS IN	P Y N 0.00%			19/05/2004	1.00000	
				CERAMIC CHIP CAPACITOR 0805 X7R 0.0056uF 50V +/-10%		
				Location : C88		
2	1015-3332-0231					
PCS IN	P Y N 0.00%			19/05/2004	2.00000	
				CERAMIC AC CAPACITOR 3300PF 250VAC +/-20% Y1		
				Location : C2, C3.		
2	1021-1072-0171					
PCS IN	P Y N 0.00%			19/05/2004	4.00000	
				ELECT. CAPACITOR 10UF 50V +/-20% DIM. 5 X 11 MM "GS"		
				Location : C50, C53, C40, C42.		
2	1021-1082-0311					
PCS IN	P Y N 0.00%			19/05/2004	1.00000	
				ELECT. CAPACITOR 100UF 25V 105C +/-20% DIM. 6.3X11MM		
				Location : C102		
2	1021-2262-0171					
PCS IN	P Y N 0.00%			19/05/2004	1.00000	
				ELECT. CAPACITOR 2.2UF 50V +/-20% DIM. 5 X 11 MM		
				Location : C83		
2	1021-2282-0302					
PCS IN	P Y N 0.00%			19/05/2004	2.00000	
				ELECT. CAPACITOR 220UF 10V 105C +/-20% DIM. 6.3 X 11mm		
				Location : C95, C96.		
2	1021-4772-0151					
PCS IN	P Y N 0.00%			19/05/2004	2.00000	
				ELECT. CAPACITOR 47UF 25V +/-20% DIM. 5 X 11 MM		
				Location : C56, C55.		
2	1022-1032-1311					
PCS IN	P Y N 0.00%			18/06/2004	2.00000	
				ELECT. CAPACITOR 1000uF 25V 105C +/-20% 13X20mm KF SERIES		
				Location : C73, C74.		
2	1023-2282-0381					
PCS IN	P Y N 0.00%			19/05/2004	2.00000	
				ELECT CAPACITOR 220uF 250V 105C +/-20% DIM. 22X25mm		
				Location : C48, C60.		
2	1024-2232-0311					
PCS IN	P Y N 0.00%			18/06/2004	1.00000	
				ELECT CAPACITOR 2200uF 25V		

SPS-9620-327 BOM.TXT

2	1024-6832-0311					Location :	105C +/-20% DIM. 16X25mm C71.		
PCS IN	P Y N 0.00%						ELECT CAPACITOR 6800uF 25V	1.00000	
							19/05/2004		
2	1035-1062-0241					Location :	105C +/-20% DIM. 18X40mm C70		
PCS IN	P Y N 0.00%						METALLIZED CAPACITOR	1.00000	
							19/05/2004		
						Location :	1UF 275VAC X2 C1		

PG ID: MBMROO LTD

Date: 07/11/2005 19:07:06

Bills Of Material Component

Listing

Page: 21

Ref. No:
Model #: SPS-9620-327
MODE POWER SUPPLY

Description: 13.8VDC FIXED 120A SWITCHING
Rev Date: 19/10/2005
Specification:
Verify :
Brand Name :
Type : *

Level	Code #					Description/Remarks	Usage
U/M Op	PMS Iss Sp	Scrp	Net.Wt	Ftr	Rev Date		
2	1035-1542-0241					METALLIZED CAP. 0.015uf 275VAC	1.00000
PCS IN	P Y N 0.00%					19/05/2004	
						X2 +/-10% PITCH=10.0mm	
						Location :	
2	1061-2253-0271					METALLIZED POLYESTER CAP.	2.00000
PCS IN	P Y N 0.00%					19/05/2004	
						0.22uF 630V +/-10% PITCH=20mm	
						Location :	
2	1061-3363-0231					METALLIZED POLYESTER CAP.	1.00000
PCS IN	P Y N 0.00%					10/11/2004	
						3.3uF 250V +/-10% (MEF) CARLI	
						Location :	
2	1062-1054-0181					METALLIZED POLYESTER CAP	1.00000
PCS IN	P Y N 0.00%					24/01/2005	
						0.1UF 63VDC +/-5% BOX TYPE	
						Location :	
2	1094-1033-0171					MYLAR CAPACITOR 0.001UF 50V	1.00000
PCS IN	P Y N 0.00%					19/05/2004	
						+/-10% PEI "CARLI "	
						Location :	
2	1094-2253-0191					MYLAR CAPACITOR 0.22UF 100V	1.00000
PCS IN	P Y N 0.00%					19/05/2004	
						+/-10% PEI "CARLI "	
						Location :	
2	1094-4733-1191					MYLAR CAPACITOR 0.0047UF 100V	2.00000
PCS IN	P Y N 0.00%					19/05/2004	
						+/-10% PITCH=5mm PEI "CARLI "	
						Location :	
2	1095-1062-1171					MONO CAPACITOR 1UF / 50V	3.00000
PCS IN	P Y N 0.00%					19/05/2004	
						+/-20% "DUANHUA"	
						Location :	
2	1501-5010-2812					POWER INDUCTOR 28uH +/-20%	2.00000
PCS IN	P Y N 0.00%					19/05/2004	
						50mA "TOP VIEW"	
						Location :	
2	2531-7809-0199					IC 78L09CP POSITIVE VOLTAGE	1.00000
PCS IN	P Y N 0.00%					19/05/2004	

SPS-9620-327 BOM.TXT

						REGULATOR "JRC" T0-92	
						U7	
2	2531-7909-0199					IC 79L09CP NEGATIVE VOLTAGE	1.00000
PCS IN	P Y N 0.00%					19/05/2004	
						REGULATOR "JRC" T0-92	
						U8	
2	2533-0494-0210					IC TL494CN PWM CONTROLLER "TI"	1.00000
PCS IN	P Y N 0.00%					19/05/2004	
						PRECISION OP-AMP	
						U3	
2	2541-0027-0211					IC OP27GP LOW-NOISE HIGH-SPEED	1.00000
PCS IN	P Y N 0.00%					19/05/2004	
						PRECISION OP-AMP	
						U5	
2	2541-0324-0061					IC LM324N "ST" LOW POWER QUAD	1.00000
PCS IN	P Y N 0.00%					19/05/2004	
						OP-AMP	
						U6	
2	2541-0358-5061					IC LM358 "ST"	1.00000
PCS IN	P Y N 0.00%					19/05/2004	
						LOW POWER DUAL OP-AMP	
						U4	

PG ID: MBMROO
LTD

Date: 07/11/2005 19:07:06

Bills Of Material Component

Listing

Page: 22

Ref. No:

Model #: SPS-9620-327
MODE POWER SUPPLY

Description: 13.8VDC FIXED 120A SWITCHING

Rev Date: 19/10/2005

Specification:

Verify :

Brand Name :

Type : *

Level	Code #	Description/Remarks			Usage	
U/M Op	PMS Iss Sp Scrp	Net.Wt	Ftr	Rev Date		
2	2561-5211-0241				IC TLP521-1 PHOTO-TRANSISTOR	2.00000
PCS IN	P Y N 0.00%				19/05/2004	
					RANK GR "TOSHIBA"	
					PC1, PC2.	
2	3010-2120-2471				NPN GENERAL PURPOSE TRANSISTOR	2.00000
PCS IN	P Y N 0.00%				19/05/2004	
					2SC2120Y(TE2) "TOSHIBA" T0-92	
					Q12, Q14.	
2	3010-3904-0001				NPN TRANSISTOR 2N3904G "ON"	1.00000
PCS IN	P Y N 0.00%				19/05/2004	
					Q22.	
2	3023-0950-2471				POWER PNP TRANSISTOR	5.00000
PCS IN	P Y N 0.00%				19/05/2004	
					2SA950Y(TE2) "TOSHIBA" T0-92	
					Q13, Q15-Q17, Q24.	
2	3201-4148-9002				Si SIGNAL DIODE 1N4148 TNR	5.00000
PCS IN	P Y N 0.00%				19/05/2004	
					"VISHAY"	
					D10, D11, D14-D15, D18.	
2	3261-1511-0002				ZENER DIODE 15V 1W TNR	2.00000
PCS IN	P Y N 0.00%				19/05/2004	
					"1N4744A"	
					ZD5, ZD6.	
2	3601-3201-1301				METAL OXIDE VARIATOR	1.00000
PCS IN	P Y N 0.00%				19/05/2004	
					"Littelfuse" V320LA20A	
					M2	

SPS-9620-327 BOM.TXT

2	3680-0803-0002						FUSE 8A 250V W/UL, CSA & T-MARK	1.00000
PCS IN	P Y N 0.00%						19/05/2004	
							20mm STANDARD GLASS TUBE	
						Locati on :	F5	
2	3681-1004-1602						FUSE 10A 250V "BUSSMANN" MDA	2.00000
PCS IN	P Y N 0.00%						19/05/2004	
						Locati on :	1/4" TIME-LAG CERAMIC TUBE	
							F1, F2.	
2	4351-0903-5215						WI RE ASSEMBLY UL1007 #22	1.00000
PCS IN	P Y N 0.00%						19/05/2004	
						Locati on :	3PIN X90mm W/STM HOUSING X 2	
							CN1B	
2	4541-9600-0212						PCB FOR SPS-9600 (DC-DC)	1.00000
PCS IN	P Y N 0.00%						10/11/2004	
							REV. 2 FR4 94VO 1.6mm THK.	
2	4541-9600-1212						PCB FOR SPS-9600 (CONTROL)	1.00000
PCS IN	P Y N 0.00%						22/02/2005	
							REV. 2 1/0 FR4 94VO SINGLE SIDE	
2	4700-0502-2277						WI RE UL1015 AWG#16 RED	1.00000
PCS IN	P Y N 0.00%						19/05/2004	
							5+50+5 ENDS W/SOLDER DIPPED	
2	4700-0550-1274						WI RE UL1015 AWG#14 BLACK	1.00000
PCS IN	P Y N 0.00%						28/03/2005	
						Locati on :	5+55+9mm 5mm W/SOLDER DIPPED	
							L/O	
2	4700-0552-1274						WI RE UL1015 AWG#14 RED	1.00000
PCS IN	P Y N 0.00%						28/03/2005	
						Locati on :	5+55+9 5mm W/SOLDER DIPPED	
							N/O	
2	4700-0601-2274						WI RE UL1015 AWG#16 BROWN	1.00000
PCS IN	P Y N 0.00%						19/05/2004	
						Locati on :	5+60+6mm 5mm W/SOLDER DIPPED	
							PT2B	

PG ID: MBMROO LTD

Date: 07/11/2005 19:07:06

Bills Of Material Component

Listing

Page: 23

Ref. No:
Model #: SPS-9620-327
MODE POWER SUPPLY

Descripti on: 13.8VDC FIXED 120A SWITCHING

Rev Date: 19/10/2005

Speci fi cati on:

Veri fy :

Brand Name :

Type : *

Level	Code #						Descripti on/Remarks	Usage
U/M Op	PMS Iss Sp	Scrp	Net.Wt	Ftr	Rev	Date		
=====								
2	4700-0606-2274						WI RE UL1015 AWG#16 BLUE	1.00000
PCS IN	P Y N 0.00%						19/05/2004	
							5+60+6mm 5mm W/SOLDER DIPPED	
						Locati on :	PT1B	
2	4700-0900-0277						WI RE UL1015 AWG#10 BLACK	2.00000
PCS IN	P Y N 0.00%						18/06/2004	
						Locati on :	5+90+5mm ENDS W/SOLDER DIPPED	
							G1, G2.	
2	4751-0051-4405						BARE JUMPER WI RE	11.00000
PCS IN	P Y N 0.00%						28/06/2004	
						Locati on :	DIA. 0.6mm L=5mm	
							J18, J11, J10, J9, J4, J1, J30,	
							J19, J20, CN10, CN11.	
2	4751-0101-4405						BARE JUMPER WI RE	5.00000
PCS IN	P Y N 0.00%						19/05/2004	

SPS-9620-327 BOM.TXT

2											
PCS	IN	P	Y	N	0.00%	4751-0179-3022		Locati on :	DIA. 0.6mm L=10mm J2, J5, J7, J13, J21. BARE JUMPER WIRE DIA 0.6mm		3.00000
									5+7+5mm		
2								Locati on :	J3, J16, J20. BARE JUMPER WIRE		2.00000
PCS	IN	P	Y	N	0.00%	4751-0269-4022			19/05/2004		
									DIA. 1.81mm L=5+16+5mm		
2								Locati on :	J6A, J6B. BARE JUMPER WIRE DIA 1.45mm		2.00000
PCS	IN	P	Y	N	0.00%	4751-0289-6022			28/06/2004		
									5+18+5mm		
2								Locati on :	REL2, REL3. BARE JUMPER WIRE		1.00000
PCS	IN	P	Y	N	0.00%	4751-0369-4022			19/05/2004		
									DIA. 1.81mm L=5+26+5mm		
2								Locati on :	J6 BARE JUMPER WIRE		0.38500
PCS	IN	P	Y	N	0.00%	4751-0409-4044			19/05/2004		
									DIA. 1.8mm L=10+20+10mm		
2									TEFLON SLEEVING AWG#18 T-TYPE		0.00800
M	IN	P	Y	N	0.00%	4767-0009-1071			28/06/2004		
									I. D. =1.07mm TRANSPARENT		
2								Locati on :	R68. TEFLON SLEEVING AWG#15 T-TYPE		0.00150
M	IN	P	Y	N	0.00%	4767-0009-1501			06/06/2005		
									I. D. =1.50mm TRANSPARENT		
2								Locati on :	R121 TEFLON SLEEVING AWG#12 T-TYPE		0.02600
M	IN	P	Y	N	0.00%	4767-0009-2161			19/05/2004		
									I. D. =2.16mm TRANSPARENT		
2								Locati on :	J6 TEFLON SLEEVING AWG#10 T-TYPE		0.02500
M	IN	P	Y	N	0.00%	4767-0009-2691			20/04/2005		
									I. D. =2.69mm TRANSPARENT		
2								Locati on :	RA, RB. MANGANESE COPPER WIRE (SHUNT)		1.00000
PCS	IN	P	Y	N	0.00%	4770-3009-5000			19/05/2004		
									DIA. 3.0MMX220MM		
								Locati on :	SH1, SH2, SH3, SH4.		

PG ID: MBMROO
LTD

Date: 07/11/2005 19:07:06

Bills Of Material Component

Listing

Page: 24

Ref. No:

Model #: SPS-9620-327
MODE POWER SUPPLY

Description: 13.8VDC FIXED 120A SWITCHING

Rev Date: 19/10/2005

Specifi cation:

Veri fy :

Brand Name :

Type : *

Level		Code #					Descripti on/Remarks		Usage
U/M	Op	PMS	Iss	Sp	Scrp	Net.Wt	Ftr	Rev Date	
2									
M	IN	P	Y	N	0.00%	4782-0000-1210		HEAT SHRINKABLE TUBE BLACK	0.02000
								19/05/2004	
								DIA. 12MM UL224	
2								Locati on :	M2
PCS	IN	P	Y	N	0.00%	4921-5410-5216		TERMI AL BLOCK 142V-02P 10A	1.00000
								19/05/2004	
								300VAC 2POLE GREEN "DINKLE"	

SPS-9620-327 BOM.TXT

2	6890-0950-0000	PCS IN	P	Y	N	0.00%	Location : S1	COPPER CONDUCTOR FOR ME-950	4.00000
							19/05/2004	14mm(W)X88.5(L)X1.0mm THK.	
							Location : CC1, CC2.		
2	6890-0950-0001	PCS IN	P	Y	N	0.00%	Location : S1	COPPER CONDUCTOR FOR ME-950	2.00000
							19/05/2004	14mm(W)X54.5(L)X1.0mm THK.	
							Location : CC3		
2	6890-0950-0002	PCS IN	P	Y	N	0.00%	Location : S1	COPPER CONDUCTOR FOR ME-950	2.00000
							19/05/2004	14mm(W)X37.5(L)X1.0mm THK.	
							Location : CC4		
2	7031-0524-1001	PCS IN	P	Y	N	0.00%	Location : S1	250 SLIP-ON RECEPTACLE MOLEX	2.00000
							28/03/2005	END-FEED P/N: 35725-2410 0.8TAB	
							Location : PT1B, PT2B.		
2	7040-0000-1214	PCS IN	P	Y	N	0.00%	Location : S1	FASTON TAB TERMINAL 250	4.00000
							19/05/2004	BRASS W/TIN PLATED P-850	
							Location : PT3B, PT4B, AC/L, AC/N.		
2	7050-0208-2911	PCS IN	P	Y	N	0.00%	Location : S1	2 PIN SHROUDED HEADER (180)	3.00000
							20/05/2004	M241852 "STM" TOP ENTRY TYPE	
							Location : FAN, C. M, CN4.		
2	7050-0310-2911	PCS IN	P	Y	N	0.00%	Location : S1	3 PIN SHROUDED HEADER (180)	1.00000
							19/05/2004	M241853 "STM" TOP ENTRY TYPE	
							Location : CN5.		
2	7050-0413-2911	PCS IN	P	Y	N	0.00%	Location : S1	4 PIN SHROUDED HEADER (180)	1.00000
							19/05/2004	M241854 "STM" TOP ENTRY TYPE	
							Location : CN3		
2	7054-0205-2012	PCS IN	P	Y	N	0.00%	Location : S1	PIN HEADER RIGHT ANGLE 2 PIN	1.00000
							19/05/2004	WAFER P=2.54mm 2211R-02G-LP	
							Location : S1	PIN HEADER RIGHT ANGEL 4PIN	1.00000
2	7054-0410-2012	PCS IN	P	Y	N	0.00%	Location : S1	WAFER P=2.54MM PHB101-042A02	1.00000
							19/05/2004	PIN HEADER RIGHT ANGLE 8PIN	
2	7054-0822-2012	PCS IN	P	Y	N	0.00%	Location : S1	WAFER P=2.54mm PHB-101-0802A02	1.00000
							19/05/2004	SOLDERING PLATE M3X7X5.5	
2	7406-3007-5001	PCS IN	P	Y	N	0.00%	Location : S1	0.5mmTHK. BRASS W/NI PLATING	3.00000
							25/05/2005	TAP1, TAP2.	
							Location : S1	FUSE CLIP P. C. BOARD TYPE	2.00000
2	8030-0010-1910	PCS IN	P	Y	N	0.00%	Location : S1	FOR DIA. 5.2mm FUSE JEF-501	
							19/05/2004	F5.	

PG ID: MBMROO
LTD

Date: 07/11/2005 19:07:06

Bills Of Material Component

Listing

Page: 25

Ref. No:
Model #: SPS-9620-327
MODE POWER SUPPLY

Description: 13.8VDC FIXED 120A SWITCHING

Rev Date: 19/10/2005

Specification:

Verify :
Brand Name :
Type : *

Level	Code #	Description/Remarks	Usage
U/M Op	PMS Iss Sp Scrp	Net.Wt Ftr Rev Date	

SPS-9620-327 BOM. TXT

2	8030-0015-1913	FUSE CLIP P. C. BOARD TYPE	4.00000
PCS IN	P Y N 0.00%	19/05/2004	
		FOR 1/4" FUSE 15A JEF-505	
		Locati on : F1, F2.	
2	8081-0453-0107	250 PVC SLEEVE DFA-25-3.5 105C	2.00000
PCS IN	P Y N 0.00%	28/03/2005	
		600V DIC PACKING : 1K PCS/BAG	
2	8710-8400-0099	DRIVER TRANSFORMER ASSEMBLY	1.00000
SET IN	M N N 0.00%	19/05/2004	
		(D8400000, HIT-51-TR3)	
		Locati on : TR2	
3	2120-0019-1601	FERRITE CORE EEL-19 T2	1.00000
PRS TR	P Y N 0.00%	23/01/2003	
		ui ac : 2800 "TAK"	
3	2171-1019-7601	PHENOLIC TRANSFORMER BOBBIN	1.00000
PCS TR	P Y N 0.00%	07/09/2000	
		EE19X22 (ISEC 10 PIN)	
3	4767-0009-0381	TEFLON SLEEVING AWG#28 T-TYPE	0.09000
M TR	P Y N 0.00%	27/12/2001	
		I. D. =0.38mm TRANSPARENT	
3	4793-0270-0000	ROUND PEW MAGNET WIRE	0.00200
KGS TR	P Y N 0.00%	27/12/2001	
		DIA. 0.27mm	
2	8761-6000-4099	COMMON MODE CHOKE COIL	1.00000
SET IN	M N N 0.00%	07/01/2005	
		2200uH SUB. ASSEMBLY	
		Locati on : L1.	
3	2102-2513-1023	FERRITE TOROID CORE MA100	1.00000
PCS TR	P Y N 0.00%	20/12/2003	
		R-25/15/13B OD=25, ID=15	
3	2177-2512-7601	TOROID BOBBIN O. D=25mm, H=12mm	1.00000
SET TR	P Y N 0.00%	20/12/2003	
		MATERI AL=PP, WHITE	
3	4793-1450-0000	ROUND PEW MAGNET WIRE	0.01700
KGS TR	P Y N 0.00%	14/01/2004	
		DIA. 1.45mm 155C	
2	8761-9600-0099	OUTPUT FILTER INDUCTOR	1.00000
SET IN	M N N 0.00%	19/05/2004	
		0.6uH/60A	
		Locati on : L12	
3	4793-3500-0000	ROUND PEW MAGNET WIRE	0.04600
KGS TR	P Y N 0.00%	17/04/2003	
		DIA. 3.5mm	
2	8761-9600-3099	OUTPUT FILTER INDUCTOR	1.00000
PCS IN	M N N 0.00%	19/05/2004	
		SUB. ASSEMBLY 14UH/60A	
		Locati on : L11	
3	2120-0042-1003	FERRITE CORE EER-42K-Z MB3	1.00000
PRS TR	P Y N 0.00%	11/12/2002	
		"JFE"	
3	2171-1042-7529	PHENOLIC TRANSFORMER BOBBIN	1.00000
PCS TR	P Y N 0.00%	09/08/2003	
		ER-4201(ER-42X15, 14P)"HO JINN"	
3	4793-1200-0000	ROUND PEW MAGNET WIRE	0.06700
KGS TR	P Y N 0.00%	03/03/2004	
		DIA. 1.20mm 155C	
2	SPS-9600-TR-000	SPS-9600-000 MATERI AL FOR	1.00000
SET IN	M N N 0.00%	19/05/2004	
		TRANSFORMER (T9600000)	
		Locati on : TR3	
3	2120-0055-1002	FERRITE CORE EE-55-Z MB3	1.00000
PRS TR	P Y N 0.00%	11/12/2002	
		Ae=353mmsq "JFE"	

LTD
 Listing

Page: 26

Ref. No:
 Model #: SPS-9620-327
 MODE POWER SUPPLY

Description: 13.8VDC FIXED 120A SWITCHING
 Rev Date: 19/10/2005
 Specification:
 Verify :
 Brand Name :
 Type : *

Level	Code #	Description/Remarks	Usage
U/M Op	PMS Iss Sp Scrp Net.Wt Ftr Rev Date		
3	2171-1055-7511	PHENOLIC TRANSFORMER BOBBIN	1.00000
PCS TR	P Y N 0.00%	11/12/2002 EE-5521 (EE-55, 14P)"HO JINN"	
3	4700-0152-0269	WIRE UL1015 AWG#12 RED	2.00000
PCS TR	P Y N 0.00%	29/11/2003 4+15+10mm ENDS W/SOLDER DIPPED	
3	4709-0700-0679	WIRE UL1028 AWG#8 BLACK	1.00000
PCS TR	P Y N 0.00%	09/03/2004 5+70+10mm ENDS W/SOLDER DIPPED	
3	4767-0009-2161	TEFLON SLEEVING AWG#12 T-TYPE	0.02000
M TR	P Y N 0.00%	04/03/2004 I.D.=2.16mm TRANSPARENT	
3	4793-0900-0000	ROUND PEW MAGNET WIRE	0.03050
KGS TR	P Y N 0.00%	28/11/2003 DIA. 0.90mm 155C	
3	6998-0025-0402	COPPER SHEET 25mm +0.5/-0(W)	0.04500
KGS TR	P Y N 0.00%	03/03/2004 x0.4mm THK	
0	SPS-9620-PA-000	SPS-9620-000 MATERIAL FOR	1.00000
SET PA	M N N 0.00%	06/05/2005 PACKING	
1	7615-0900-0000	Q.C. PASSED LABEL 37X14mm	1.00000
PCS PA	P Y N 0.00%	23/10/2004 SILVER W/BLACK LETTERING	
1	7810-1184-7100	PVC BAG 0.04 X 1180 X 710 MM	1.00000
PCS PA	P Y N 0.00%	23/10/2004 Location : MAIN UNIT.	
1	7812-2504-1100	PVC BAG 0.04 X 250 X 110 MM	1.00000
PCS PA	P Y N 0.00%	23/10/2004 W/RECYCLE MARK	
1	7812-3604-1300	PVC BAG 0.04 X 360 X 130 MM	1.00000
PCS PA	P Y N 0.00%	23/10/2004 Location : USER MANUAL.	
1	7841-9620-0000	POLYFOAM SHEET FOR SPS-9620	2.00000
PCS PA	P Y N 0.00%	23/10/2004 SIZE: 405X270X20mm THK.	
1	7841-9620-0010	POLYFOAM SHEET FOR SPS-9620	2.00000
PCS PA	P Y N 0.00%	23/10/2004 SIZE: 405 X 202 X 20 mm THK.	
1	7841-9620-0020	POLYFOAM SHEET FOR SPS-9620	1.00000
PCS PA	P Y N 0.00%	23/10/2004 SIZE: 228 X 150 X 20 mm THK.	
1	7841-9620-0030	POLYFOAM SHEET FOR SPS-9620	1.00000
PCS PA	P Y N 0.00%	25/04/2005 SIZE: 160 X 150 X 40 mm THK.	
1	7861-9620-0000	OUTER CARTON FOR SPS-9620	1.00000
PCS PA	P Y N 0.00%	23/10/2004 DOUBLE CORRUGATE B=C	
1	7881-9620-0000	RETAIL BOX FOR SPS-9620	1.00000

SPS-9620-327 BOM.TXT

PCS PA	P	Y	N	0.00%	23/10/2004	DOUBLE CORRUGATE A=B	
1						SILICON GEL 5gm PAPER PACK	1.00000
PCS PA	P	Y	N	0.00%	26/09/2005	B-1100 LEAD FREE	
0						SPS-9620-PFC-000 MATERIAL FOR	2.00000
SET PFC	M	N	N	0.00%	06/05/2005	PFC MODULE	
1						SPS-9620-PFC-000 MATERIAL FOR	1.00000
SET CA	M	N	N	0.00%	04/05/2004	CASING	

PG ID: MBMROO LTD

Date: 07/11/2005 19:07:06

Bills Of Material Component

Listing

Page: 27

Ref. No:

Model #: SPS-9620-327
MODE POWER SUPPLY

Description: 13.8VDC FIXED 120A SWITCHING

Rev Date: 19/10/2005

Specification:

Verify :
Brand Name :
Type : *

Level	Code #				Description/Remarks	Usage
U/M Op	PMS Iss Sp	Scrp	Net.Wt	Ftr Rev Date		
2	2160-0403-0901				FERRITE BEAD C6RH4X2X3	7.00000
PCS CA	P Y N 0.00%			04/05/2004	(LIGO)	
					Location : L15-L20, L25.	
2	3111-2837-2404				N-CHANNEL POWER MOSFET	2.00000
PCS CA	P Y N 0.00%			04/05/2004	2SK2837 "TOSHI BA"	
					Location : Q6, Q7.	
2	3232-1560-9047				FAST RECOVERY RECTIFIER	1.00000
PCS CA	P Y N 0.00%			04/05/2004	MUR1560 600V/15A TO-220AC "ON"	
					Location : D1	
2	6701-9601-0003				HEAT SINK FOR SPS-9600	1.00000
PCS CA	P Y N 0.00%			04/05/2004	W=68, H=10 L=113.9MM	
					Location : HT2	
2	7204-3006-1001				SCREW M3X6X0.5 W/Ni PLATING	1.00000
PCS CA	P Y N 0.00%			04/05/2004	PAN HEAD CROSS DRIVER	
					Location : D1	
2	7204-3006-1101				SCREW M3X6X0.5 W/Ni PLATING	1.00000
PCS CA	P Y N 0.00%			04/05/2004	BINDING HEAD CROSS DRIVER	
2	7204-3008-1001				SCREW M3X8X0.5 W/Ni PLATING	3.00000
PCS CA	P Y N 0.00%			04/05/2004	PAN HEAD CROSS DRIVER	
					Location : HT3, HT1.	
2	7204-3010-1001				SCREW M3X10X0.5 W/Ni PLATING	3.00000
PCS CA	P Y N 0.00%			16/05/2005	PAN HEAD CROSS DRIVER	
					Location : Q6, Q7, BR1.	
2	7300-3008-0502				PLAN WASHER M3X8X0.5	7.00000
PCS CA	P Y N 0.00%			16/05/2005	W/ZINC PLATING	
					Location : Q6, Q7, D1, HT1, HT2, BR1.	
2	7303-3005-0702				SPRING WASHER M3X5X0.7	4.00000
PCS CA	P Y N 0.00%			16/05/2005		

SPS-9620-327 BOM.TXT

						W/ZINC PLATING	
						Q6, Q7, D1, BR1.	
2	7304-3006-0900					EXTERNAL TOOTH WASHER M3X6X0.9	4.00000
PCS CA	P Y N			0.00%		15/07/2005	
						Location : HT2, HT1, U11.	
2	8070-0030-0111					SILICON RUBBER 65X30X0.3mmTHK	1.00000
PCS CA	M N N			0.00%		16/05/2005	
						Location : Q6, Q7, D1.	
3	8070-0030-0001					SILICON RUBBER	0.00700
M CA	P Y N			0.00%		16/05/2005	
						28CMX100CMX0.3MM THK	
2	8070-0043-0117					FLAME RETARDANT PP FORMEX GK17	1.00000
PCS CA	P Y N			0.00%		04/05/2004	
						104X10X0.43mmTHK. UL 94V0	
						Location : HI 2	
1	SPS-9620-PFC-IN-000					SPS-9620-PFC-000 MATERIALS FOR	1.00000
SET IN	M N N			0.00%		04/05/2004	
						INSERTION	
2	0502-1501-1622					THERMAL FUSE CEMENT RESISTOR	1.00000
PCS IN	P Y N			0.00%		20/05/2004	
						15ohm +/-5% 133C 2.2W, 10A	
						Location : R3.	

PG ID: MBMROO
LTD

Date: 07/11/2005 19:07:06
M
Bills Of Material Component

Listing Page: 28

Ref. No:
Model #: SPS-9620-327
MODE POWER SUPPLY

Description: 13.8VDC FIXED 120A SWITCHING
Rev Date: 19/10/2005
Specification:
Verify :
Brand Name :
Type : *

Level	Code #				Description/Remarks	Usage
U/M Op	PMS Iss Sp	Scrp	Net.Wt	Ftr Rev Date		
2	0503-2201-0611				FUSIBLE METAL FILM RESISTOR	2.00000
PCS IN	P Y N			0.00%	04/05/2004	
					Location : 1/4W 22ohm +/-5% "HK RESISTOR"	
					R16, R17.	
2	0512-2201-0611				CARBON FILM RESISTOR	1.00000
PCS IN	P Y N			0.00%	04/05/2004	
					Location : 1/8W 22ohm +/-5% T/B	
					R32	
2	0512-2204-0611				CARBON FILM RESISTOR	1.00000
PCS IN	P Y N			0.00%	04/05/2004	
					Location : 1/8W 22Kohm +/-5% T/B	
					R15	
2	0512-3302-0611				CARBON FILM RESISTOR	1.00000
PCS IN	P Y N			0.00%	04/05/2004	
					Location : 1/8W 330ohm +/-5% T/B	
					R22.	
2	0512-5103-0611				CARBON FILM RESISTOR	1.00000
PCS IN	P Y N			0.00%	04/05/2004	
					Location : 1/8W 5.1Kohm +/-5% T/B	
					R18.	
2	0512-6800-0611				CARBON FILM RESISTOR	1.00000
PCS IN	P Y N			0.00%	04/05/2004	
					Location : 1/8W 6.8ohm +/-5% T/B	
					R33.	
2	0513-1003-0611				CARBON FILM RESISTOR	1.00000
PCS IN	P Y N			0.00%	04/05/2004	

SPS-9620-327 BOM.TXT

2						Location :	1/4W 1Kohm +/-5% T/B R6	
PCS IN	P	Y	N	0.00%	0513-1006-0611		CARBON FILM RESISTOR 04/05/2004	1.00000
2						Location :	1/4W 1Mohm +/-5% T/B R31.	
PCS IN	P	Y	N	0.00%	0513-2205-0611		CARBON FILM RESISTOR 04/05/2004	2.00000
2						Location :	1/4W 220Kohm +/-5% T/B R7, R8.	
PCS IN	P	Y	N	0.00%	0513-3302-0611		CARBON FILM RESISTOR 04/05/2004	1.00000
2						Location :	1/4W 330ohm +/-5% T/B R5	
PCS IN	P	Y	N	0.00%	0521-1204-0411		METAL FILM RESISTOR 04/05/2004	1.00000
2						Location :	1/8W 12Kohm +/-1% T/B R11	
PCS IN	P	Y	N	0.00%	0521-3905-0411		METAL FILM RESISTOR 03/11/2004	1.00000
2						Location :	1/8W 390Kohm +/-1% T/B R14.	
PCS IN	P	Y	N	0.00%	0521-4305-0411		METAL FILM RESISTOR 04/05/2004	2.00000
2						Location :	1/8W 430Kohm +/-1% T/B R9, R10.	
PCS IN	P	Y	N	0.00%	0522-1106-0411		METAL FILM RESISTOR 04/05/2004	1.00000
						Location :	1/4W 1.1Mohm +/-1% T/B R30	

PG ID: MBMROO
LTD

Date: 07/11/2005 19:07:06

Bills Of Material Component

Listing

Page: 29

Ref. No:

Model #: SPS-9620-327
MODE POWER SUPPLY

Description: 13.8VDC FIXED 120A SWITCHING

Rev Date: 19/10/2005

Specification:

Verify :
Brand Name :
Type : *

Level	Code #				Description/Remarks	Usage
U/M Op	PMS Iss Sp	Scrp	Net.Wt	Ftr Rev Date		
2	0522-6205-5411				METAL FILM RESISTOR 1/4W	1.00000
PCS IN	P	Y	N	0.00%	04/05/2004 620Kohm +/-1% 100PPM T/B "KOA"	
					Location :	
2	0522-6805-5411				METAL FILM RESISTOR 1/4W	1.00000
PCS IN	P	Y	N	0.00%	04/05/2004 680Kohm +/-1% 100PPM T/B "KOA"	
					Location :	
2	0522-8503-0411				METAL FILM RESISTOR 1/4W	1.00000
PCS IN	P	Y	N	0.00%	04/05/2004 8.5Kohm +/-1% T/B	
					Location :	
2	0535-0100-0611				METAL OXIDE RESISTOR 0.1ohm 2W	2.00000
PCS IN	P	Y	N	0.00%	04/05/2004 +/-5% LEAD LENGTH=35mm	
					Location :	
2	1011-1042-1261				CERAMIC CAPACITOR 0.01UF 500V	1.00000
PCS IN	P	Y	N	0.00%	04/05/2004	

SPS-9620-327 BOM.TXT

Level	Code #	Description/Remarks	Usage
2	1011-1051-0171	CERAMIC CAPACITOR 0.1UF 50V	3.00000
PCS IN	P Y N 0.00%	04/05/2004	
		Location : C9.	
2	1011-2231-0191	CERAMIC CAPACITOR 2200PF 100V	1.00000
PCS IN	P Y N 0.00%	04/05/2004	
		Location : C23, C47, C30.	
2	1011-2233-0261	CERAMIC CAPACITOR 2200PF 500V	1.00000
PCS IN	P Y N 0.00%	04/05/2004	
		Location : C13	
2	1011-4712-0291	CERAMIC CAPACITOR 47PF 1KV	1.00000
PCS IN	P Y N 0.00%	04/05/2004	
		Location : C32	
2	1011-4723-0731	CERAMIC CAPACITOR 470PF 2KV	3.00000
PCS IN	P Y N 0.00%	04/05/2004	
		Location : C14	
2	1011-5021-0171	CERAMIC CAPACITOR 500PF 50V	1.00000
PCS IN	P Y N 0.00%	04/05/2004	
		Location : C26, C28, C35.	
2	1015-3332-0231	CERAMIC AC CAPACITOR	1.00000
PCS IN	P Y N 0.00%	07/01/2005	
		3300PF 250VAC +/-20% Y1	
		Location : C12	
2	1021-1062-0171	ELECT. CAPACITOR 1UF 50V	1.00000
PCS IN	P Y N 0.00%	04/05/2004	
		Location : C20.	
2	1021-1072-0171	ELECT. CAPACITOR 10UF 50V	3.00000
PCS IN	P Y N 0.00%	04/05/2004	
		Location : C22	
		Location : C36, C37, C29.	

PG ID: MBMROO LTD

Date: 07/11/2005 19:07:06

Bills Of Material Component

Listing

Page: 30

Ref. No:
Model #: SPS-9620-327
MODE POWER SUPPLY

Description: 13.8VDC FIXED 120A SWITCHING

Rev Date: 19/10/2005

Specification:

Verify :
Brand Name :
Type : *

Level	Code #	Description/Remarks	Usage
2	1021-1082-0151	ELECT. CAPACITOR 100UF 25V	1.00000
PCS IN	P Y N 0.00%	04/05/2004	
		Location : C34	
2	1021-2282-0311	ELECT. CAPACITOR 220UF 25V	1.00000
PCS IN	P Y N 0.00%	20/05/2004	
		Location : 105C +/-20% DIM. 8 X 17mm	
2	1021-4772-0151	ELECT. CAPACITOR 47UF 25V	2.00000
PCS IN	P Y N 0.00%	04/05/2004	

SPS-9620-327 BOM.TXT

2					Location :	+/-20% DIM. 5 X 11 MM C10, C27.	
PCS IN	1021-4772-0301	P	Y	N	0.00%	ELECT CAPACITOR 47uF 16V 04/05/2004	1.00000
2					Location :	+/-20% DIM. 5X11mm 105C P=2mm C24	
PCS IN	1021-4782-0311	P	Y	N	0.00%	ELECT. CAPACITOR 470UF 25V 04/05/2004	1.00000
2					Location :	+/-20% 105C DIM. 10X17MM C33	
PCS IN	1023-4782-0421	P	Y	N	0.00%	ELECT CAPACITOR 470uF 450V 04/05/2004	2.00000
2					Location :	105C +/-20% DIM. 35X50mm C18, C19.	
PCS IN	1035-1062-0241	P	Y	N	0.00%	METALLIZED CAPACITOR 04/05/2004	1.00000
2					Location :	1UF 275VAC X2 C4	
PCS IN	1035-1542-0241	P	Y	N	0.00%	METALLIZED CAP. 0.015uF 275VAC 04/05/2004	1.00000
2					Location :	X2 +/-10% PITCH=10.0mm C38	
PCS IN	1061-3363-0251	P	Y	N	0.00%	METALLIZED POLYESTER CAP. 04/05/2004	2.00000
2					Location :	3.3uF 400VDC +/-10% 31X18X9mm C5, C6.	
PCS IN	1061-4743-4271	P	Y	N	0.00%	METALLIZED POLYESTER CAP. 04/05/2004	1.00000
2					Location :	0.047UF 630V +/-10% PITCH=10mm C21	
PCS IN	1095-1062-1171	P	Y	N	0.00%	MONO CAPACITOR 1UF / 50V 04/05/2004	1.00000
2					Location :	+/-20% "DUANHUA" C11	
PCS IN	1501-5021-3312	P	Y	N	0.00%	POWER INDUCTOR 3.3uH +/-20% 04/05/2004	3.00000
2					Location :	500mA 3R3M-A12X-BL-N L9, L10, L13.	
PCS IN	2160-0403-0901	P	Y	N	0.00%	FERRITE BEAD C6RH4X2X3 04/05/2004	2.00000
2					Location :	(LIGO) L25, L28.	
PCS IN	2531-7805-0009	P	Y	N	0.00%	IC 78L05 T0-92 POSITIVE DC 04/05/2004	1.00000
					Location :	VOLTAGE REGULATOR U10	

PG ID: MBMROO LTD

Date: 07/11/2005 19:07:06

Bills Of Material Component

Listing

Page: 31

Ref. No:

Model #: SPS-9620-327
MODE POWER SUPPLY

Description: 13.8VDC FIXED 120A SWITCHING

Rev Date: 19/10/2005

Specification:

Verify :

Brand Name :

Type : *

Level	Code #	Description/Remarks				Usage
U/M Op	PMS Iss Sp	Scrp	Net.Wt	Ftr Rev Date		
2	2533-0243-0458			PWM SWITCH TOP243Y 04/05/2004	1.00000	
PCS IN	P	Y	N	0.00%		

SPS-9620-327 BOM.TXT

QTY	PCS IN	P	Y	N	0.00%	Location :	Description	QTY
2						U2	TOPSWITCH-GX	
2	PCS IN	P	Y	N	0.00%	2534-3262-0041	IC MC33262P "ON" 04/05/2004 POWER FACTOR CONTROLLER	1.00000
2						U1	NPN GENERAL PURPOSE TRANSISTOR	
2	PCS IN	P	Y	N	0.00%	3010-2120-2471	04/05/2004 2SC2120Y(TE2) "TOSHIBA" TO-92	1.00000
2						Q2	POWER PNP TRANSISTOR	
2	PCS IN	P	Y	N	0.00%	3023-0950-2471	04/05/2004 2SA950Y(TE2) "TOSHIBA" TO-92	1.00000
2						Q3	BRIDGE RECTIFIER TS25P05G	
2	PCS IN	P	Y	N	0.00%	3222-2505-9510	04/05/2004 600V/25A TS6P "TS"	1.00000
2						BR1	FAST RECOVERY RECTIFIER	
2	PCS IN	P	Y	N	0.00%	3231-4003-9551	17/07/2004 200V/1A UF4003 "VISHAY" DO-41	5.00000
2							D4, D5, D7-D9.	
2	PCS IN	P	Y	N	0.00%	3231-4005-9551	17/07/2004 600V/1A UF4005 "VISHAY" DO-41	1.00000
2							D3.	
2	PCS IN	P	Y	N	0.00%	3261-5600-5521	04/05/2004 ZENER DIODE 5V6 0.5W DISCRETE	1.00000
2							"HITACHI" HZ6A3	
2						ZD2	TRANSIENT VOLTAGE SUPPRESSOR	
2	PCS IN	P	Y	N	0.00%	3262-2025-0551	04/05/2004 DISCRETE P6KE200A 200V/5W	1.00000
2						ZD1	RELAY ME-23-12PS DC12V 1P1T	
2	PCS IN	P	Y	N	0.00%	4214-1030-1144	04/05/2004 30V/10A HIGH CAPACITY, MASSUSE	1.00000
2							REL1	
2	PCS IN	P	Y	N	0.00%	4543-9600-0112	04/05/2004 PCB FOR SPS-9600 (PFC) REV. 1	1.00000
2							FR4 1.6mm 1oz. DOUBLE SIDE	
2	PCS IN	P	Y	N	0.00%	4700-0900-2273	04/05/2004 WIRE UL1015 AWG#16 BLACK	1.00000
2							5+90+6 5mm W/SOLDER DIPPED	
2						PT4A.	WIRE UL1015 AWG#16 RED	
2	PCS IN	P	Y	N	0.00%	4700-0952-2273	04/05/2004 5+95+6 5mm SOLDER DIPPED	1.00000
2							PT3A.	
2	M IN	P	Y	N	0.00%	4761-0009-3810	04/05/2004 PVC TUBE DIA. 3.76mm W/UL	0.16500
2							VW-1 TRANSPARENT "KYOWA"	
2							PT3A, PT4A.	

PG ID: MBMROO
LTD

Date: 07/11/2005 19:07:06

Bills Of Material Component

Listing

Page: 32

Ref. No:
Model #: SPS-9620-327
MODE POWER SUPPLY

Description: 13.8VDC FIXED 120A SWITCHING

Rev Date: 19/10/2005

Specification:

Verify :
Brand Name :
Type : *

SPS-9620-327 BOM.TXT

Level	Code #	Description/Remarks	Usage
U/M Op	PMS Iss Sp Scrp Net.Wt Ftr Rev Date		
2	4767-0009-1071	TEFLON SLEEVING AWG#18 T-TYPE	0.05000
M IN	P Y N 0.00%	14/05/2005 I. D. =1.07mm TRANSPARENT	
		Location : R23, R24, U2, C28, C32, C35, C9, C11, C26.	
2	4767-0029-1501	TEFLON SLEEVING AWG#15 T-TYPE	6.00000
PCS IN	M N N 0.00%	04/05/2004 L=1.5mm +0.5/-0, I. D. =1.50mm	
		Location : D3, D5-D9.	
3	4767-0009-1501	TEFLON SLEEVING AWG#15 T-TYPE	0.01200
M IN	P Y N 0.00%	17/05/2005 I. D. =1.50mm TRANSPARENT	
2	4781-0000-6010	HEAT SHRINKABLE TUBE BLACK	0.03000
M IN	P Y N 0.00%	04/05/2004 DIA. 6mm UL224 125C CLASS	
		Location : L9, L10, L13.	
2	6701-0501-6515	HEAT SINK FOR HIT-501	1.00000
PCS IN	P Y N 0.00%	04/05/2004 16X10X12X2mmTHK. ALUMINIUM	
		Location : U2	
2	6701-9601-0010	HEAT SINK FOR SPS-9600	1.00000
PCS IN	M N N 0.00%	21/05/2005 60x60x13mm 3mmTHK ALUMINIUM W/	
		Location : TH1	
3	6701-9601-0000	HEAT SINK FOR SPS-9600	1.00000
PCS CA	P Y N 0.00%	21/05/2005 60x60x13mm 3mmTHK ALUMINIUM	
3	7353-3006-2542	CLINCHING NUT TC-M3-1 ZNU	3.00000
SET CA	P Y N 0.00%	21/05/2005 M3X0.5 (M-0-NCNM3U)	
2	6958-8400-0000	TRANSISTOR SPRING CLIP FOR	1.00000
PCS IN	P Y N 0.00%	04/05/2004 SPS-8400 0.6mm THK. STEEL	
		Location : D1	
2	7031-0524-1001	250 SLIP-ON RECEPTACLE MOLEX	2.00000
PCS IN	P Y N 0.00%	04/05/2004 END-FEED P/N: 35725-2410 0.8TAB	
		Location : TP3B-PT2B.	
2	7040-0000-1214	FASTON TAB TERMINAL 250	2.00000
PCS IN	P Y N 0.00%	04/05/2004 BRASS W/TIN PLATED P-850	
		Location : PT1A, PT2A.	
2	7050-0208-2911	2 PIN SHROUDED HEADER (180)	1.00000
PCS IN	P Y N 0.00%	28/06/2004 M241852 "STM" TOP ENTRY TYPE	
		Location : CN2.	
2	7050-0310-2911	3 PIN SHROUDED HEADER (180)	1.00000
PCS IN	P Y N 0.00%	04/05/2004 M241853 "STM" TOP ENTRY TYPE	
		Location : CN1A	
2	7290-3263-1990	BLIND RIVET 73AS4-2	1.00000
PCS IN	P Y N 0.00%	04/05/2004 1/8" X 1/4" (L) DIA. 3.2X6mm	
		Location : U2	
2	8081-0453-0107	250 PVC SLEEVE DFA-25-3.5 105C	2.00000
PCS IN	P Y N 0.00%	04/05/2004 600V DIC PACKING : 1K PCS/BAG	

PG ID: MBM00
LTD

Date: 07/11/2005 19:07:06

Bills Of Material Component

Listing

Page: 33

Seite 37

SPS-9620-327 BOM.TXT

Ref. No:
 Model #: SPS-9620-327
 MODE POWER SUPPLY

Description: 13.8VDC FIXED 120A SWITCHING
 Rev Date: 19/10/2005
 Specification:
 Verify :
 Brand Name :
 Type : *

Level	Code #	Description/Remarks	Usage
U/M Op	PMS Iss Sp Scrp Net.Wt Ftr Rev Date		
2	8710-0501-4099	HIT-501 TRANSFORMER ASSEMBLY	1.00000
PCS IN	M N N 0.00%	04/05/2004 FOR POWER FACTOR CONTROLLER L6	
		Location : L6	
3	2120-0042-1002	FERRITE CORE EE-42B-Z MB3	1.00000
PRS TR	P Y N 0.00%	26/08/2002 Ae=234mmsq "JFE"	
3	2171-1042-7510	PHENOLIC TRANSFORMER BOBBIN	1.00000
PCS TR	P Y N 0.00%	26/08/2002 EE-4212-1 (EE-42X20, 18P)	
3	4790-0270-0000	MAGNET WIRE DIA. 0.27mm 2-UEW	0.00500
KGS TR	P Y N 0.00%	05/09/2002	
3	4796-0290-0203	STRANDED PEW MAGNET WIRE	0.05000
KGS TR	P Y N 0.00%	14/11/2003 20/0.29mm	
2	8710-9600-3099	SPS-9600 AUX TRANSFORMER	1.00000
PCS IN	M N N 0.00%	04/05/2004 SUB-ASSEMBLY	
		Location : TR1	
3	2120-0019-1601	FERRITE CORE EEL-19 T2	1.00000
PRS TR	P Y N 0.00%	23/01/2003 ui ac : 2800 "TAK"	
3	2171-1019-7501	PHENOLIC TRANSFORMER BOBBIN	1.00000
PCS TR	P Y N 0.00%	11/12/2002 EL-19(10P) EL-1915-1	
3	4767-0009-0381	TEFLON SLEEVING AWG#28 T-TYPE	0.02000
M TR	P Y N 0.00%	07/02/2004 I. D. =0.38mm TRANSPARENT	
3	4767-0009-0561	TEFLON SLEEVING AWG#24 T-TYPE	0.09000
M TR	P Y N 0.00%	07/02/2004 I. D. =0.56mm TRANSPARENT	
3	4767-0009-1071	TEFLON SLEEVING AWG#18 T-TYPE	0.09600
M TR	P Y N 0.00%	07/02/2004 I. D. =1.07mm TRANSPARENT	
3	4790-0210-0000	MAGNET WIRE DIA. 0.21mm 2-UEW	0.00260
KGS TR	P Y N 0.00%	09/02/2004	
3	4790-0270-0000	MAGNET WIRE DIA. 0.27mm 2-UEW	0.00170
KGS TR	P Y N 0.00%	09/02/2004	
3	4790-0410-0000	MAGNET WIRE DIA. 0.41mm 2-UEW	0.00150
KGS TR	P Y N 0.00%	09/02/2004	
2	8761-0038-2099	COMMON MODE CHOKE COIL	1.00000
SET IN	M N N 0.00%	04/05/2004 3.5mH/12A SUB. ASSEMBLY	
		Location : L5	
3	2102-3113-1022	FERRITE TOROID CORE W/COATING	1.00000
PCS TR	M N N 0.00%	15/12/2001 MA055 R-31/19/13C OD=31.0	
4	2102-3113-1021	FERRITE TOROID CORE	1.00000
PCS TR	P Y N 0.00%	15/12/2001 MA055 R-31/19/13C OD=31.0	
3	4767-0009-1701	TEFLON SLEEVING AWG#14 T-TYPE	0.29000
M TR	P Y N 0.00%	19/03/2005 I. D. =1.68mm TRANSPARENT	
3	4793-1450-0000	ROUND PEW MAGNET WIRE	0.03500

SPS-9620-327 BOM.TXT
 21/05/2005
 DIA. 1.45mm 155C
 KGS TR P Y N 0.00%
 2 8761-9600-2099
 PCS IN M N N 0.00%
 04/05/2004
 SUB. ASSEMBLY 120uH/7A
 Location : L3, L4.
 3 2101-2310-0601
 PCS TR P Y N 0.00%
 08/11/2003
 IRON POWDER TOROID CORE
 3 4793-1450-0000
 KGS TR P Y N 0.00%
 03/03/2004
 ROUND PEW MAGNET WIRE
 DIA. 1.45mm 155C

PG ID: MBMROO
 LTD

Date: 07/11/2005 19:07:06

Bills Of Material Component

Listing

Page: 34

Ref. No:

Model #: SPS-9620-327
 MODE POWER SUPPLY

Description: 13.8VDC FIXED 120A SWITCHING

Rev Date: 19/10/2005

Specification:

Verify :

Brand Name :

Type : *

Level	Code #	Description/Remarks	Usage
U/M Op	PMS Iss Sp Scrp Net.Wt Ftr Rev Date		
0	SPS-9620-SP-327	SPS-9620-327 SPECIALS	1.00000
SET SP	M N N 0.00%	06/05/2005	
1	4610-2000-7938	POWER CORD VDE PLUG W/INT'L	1.00000
PCS SP	P Y N 0.00%	06/05/2005	
1	7611-9620-3270	TYPE CONNECTOR 2M BLK H05VV-F	1.00000
PCS SP	P Y N 0.00%	06/05/2005	
1	7612-9620-3270	SPS-9620-327 (65X32mm SILVER)	1.00000
PCS SP	P Y N 0.00%	06/05/2005	
1	7614-0000-0010	INNER CARTON LABEL FOR	1.00000
PCS SP	P Y N 0.00%	06/05/2005	
1	7614-0000-0010	SPS-9620-327 (70X35mm WHITE)	1.00000
PCS SP	P Y N 0.00%	28/05/2005	
1	7614-9600-3270	WARNING LABEL "AFTER SWITCH	1.00000
PCS SP	P Y N 0.00%	18/06/2005	
1	7614-9600-3270	OFF, WAIT 30.." 1"X1" SILVER W/	1.00000
PCS SP	P Y N 0.00%	18/06/2005	
1	7651-8400-0000	WARNING LABEL "AFTER SWITCH	1.00000
PCS SP	P Y N 0.00%	18/06/2005	
1	7654-0000-0010	OFF, WAIT 30.." FOR CEI CONRAD	1.00000
PCS SP	P Y N 0.00%	14/07/2005	
1	7673-9620-3270	USER MANUAL	6.00000
PCS SP	P Y N 0.00%	06/05/2005	
1	7691-9620-3270	CAUTION LABEL (ELECTRIC SHOCK)	1.00000
PCS SP	P Y N 0.00%	06/05/2005	
1	7673-9620-3270	18X21mm YELLOW W/BLACK PRINTING	1.00000
PCS SP	P Y N 0.00%	14/07/2005	
1	7673-9620-3270	WEEE LABEL NON MANSON BRAND	1.00000
PCS SP	P Y N 0.00%	06/05/2005	
1	7691-9620-3270	1"X1" SILVER W/BLACK PRINTING	1.00000
PCS SP	P Y N 0.00%	06/05/2005	
1	7691-9620-3270	REAR PANEL	1.00000
PCS SP	P Y N 0.00%	06/05/2005	
1	7691-9620-3270	USER MANUAL FOR SPS-9620-327	1.00000
PCS SP	P Y N 0.00%	06/05/2005	
1	7691-9620-3270	VOLTCRAFT 3-LANGUAGES	1.00000
PCS SP	P Y N 0.00%	06/05/2005	
1	7691-9620-3270	BAR CODE LABEL SPS-9620-327	1.00000
PCS SP	P Y N 0.00%	06/05/2005	
1	7691-9620-3270	CONARD B/N510929	1.00000
PCS SP	P Y N 0.00%	06/05/2005	

Total Number Of Item: 539

Prepared By : _____ Check By : _____ Approved By

: _____

SPS-9620-327 BOM.TXT

=== End Of Report ===