

TDK-Lambda

DPP240-XX-3

Din Rail Mountable Switching Power Supply



Technical Data
Installation and Operation

Fig. 1

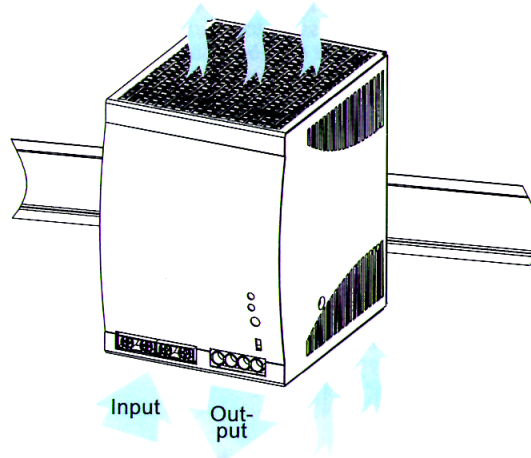


Fig. 2

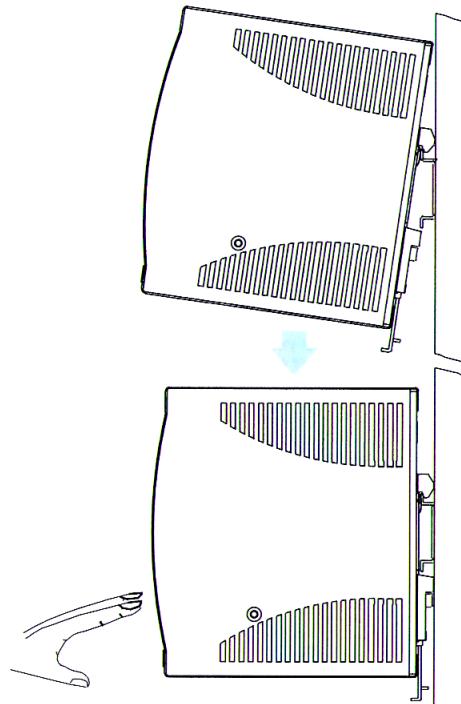
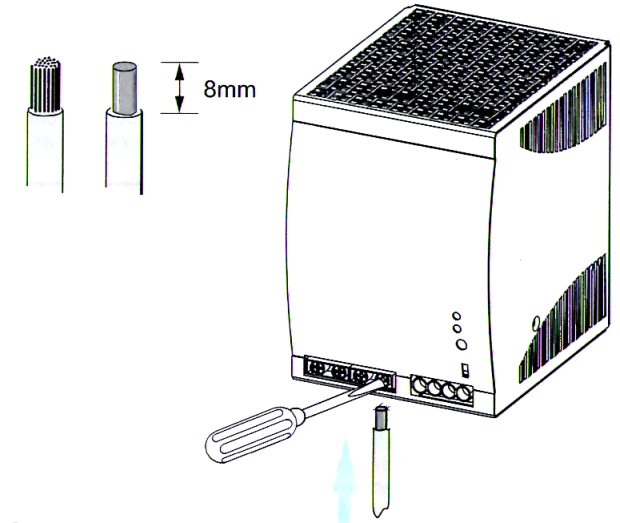


Fig. 3



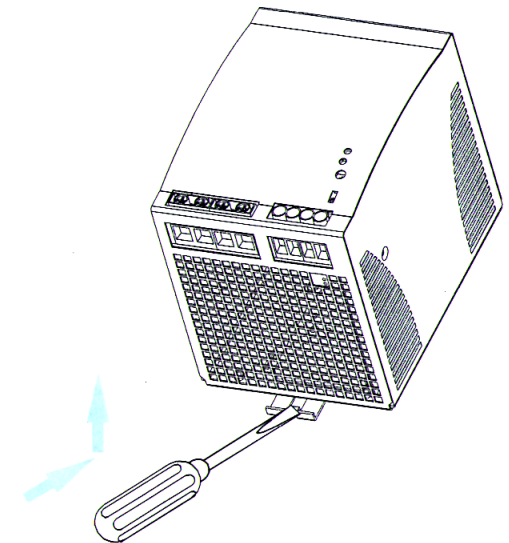
Connector size range

* AWG24 - 10

- Input connector can withstand torque at maximum 1.01Nm (9 pound-inches)
- Output connector can withstand torque at maximum 0.62Nm (5.5 pound-inches)

Use copper conductors only, 60/75 °C
Max. Surrounding Air Temperature of 50 °C

Fig. 4



DEFINITION OF MODELS

Output Voltage

DPP240-24-3 : 24V output

DPP240-48-3 : 48V output

