

Uninterruptible power supply - MINI-DC-UPS/12DC/4 - 2866598

Please be informed that the data shown in this PDF Document is generated from our Online Catalog. Please find the complete data in the user's documentation. Our General Terms of Use for Downloads are valid (<http://download.phoenixcontact.com>)



Uninterruptible power supply with integrated power supply unit, 4 A, in combination with MINI-BAT/12/DC 1.6 Ah or 2.6 Ah

Product Description

The MINI-DC-UPS provide an uninterruptible DC voltage both in case of AC power supply network and in the event of mains interferences. The wide-range input allows input voltages from 85 V AC to 264 V AC; 4 A is provided at the output with a regulated and adjustable output voltage from 10 V DC to 16 V DC. The rechargeable battery module supplies an output voltage from 13.6 V DC to 9.6 V DC in buffer mode. A 1.6 Ah or a 2.6 Ah rechargeable battery module is optionally used depending on the required buffer time. The buffer time varies depending on the load current.



Key commercial data

package_quantity	1
GTIN	4046356418522

Technical data

Dimensions

Width	67.5 mm
Height	99 mm
Depth	107 mm

Ambient conditions

Degree of protection	IP20
Ambient temperature (operation)	-25 °C ... 70 °C (> 60 °C derating)
Ambient temperature (storage/transport)	-40 °C ... 80 °C
Max. permissible relative humidity (operation)	95 % (at 25 °C, no condensation)
Noise immunity	EN 61000-6-2:2005

Input data

Nominal input voltage range	100 V AC ... 240 V AC
Input voltage range AC	85 V AC ... 264 V AC
Input voltage range DC	100 V DC ... 350 V DC (UL508: 100...250 V DC)
Current consumption	0.5 A
Current consumption	0.65 A (230 V AC)
Current consumption	1.15 A
Current consumption	1.35 A (120 V AC)

Uninterruptible power supply - MINI-DC-UPS/12DC/4 - 2866598

Technical data

Input data

Inrush surge current	< 34 A
Power failure bypass	(refer to the diagram)
Buffer period	20 min (4 A)
Input fuse	3.15 A (slow-blow, internal)
Power factor (cos phi)	approx. 0.5
Protective circuit/component	Varistor

Output data

Nominal output voltage	12 V DC (AC input voltage available: 10 to 16 V DC, AC input voltage not available: 13.6 to 9.6 V DC)
Setting range of the output voltage	10 V DC ... 16 V DC (AC input voltage available, AC input voltage not available: Output voltage depending on the battery voltage: 13.6 V DC ... 9.6 V DC)
Output current	4 A
Derating	60 °C ... 70 °C (2.5%/K)
Connection in parallel	No
Connection in series	Yes
Max. capacitive load	Unlimited
Control deviation	< 1 % (change in load, static 10% ... 90%)
Residual ripple	< 50 mV _{PP}
Peak switching voltages nominal load	< 100 mV _{PP}
Maximum power dissipation NO-Load	3.8 W
Power loss nominal load max.	10.5 W

General

Net weight	0.45 kg
Memory medium	External, rechargeable battery 1.6 Ah / 2.6 Ah
Efficiency	> 82 %
Insulation voltage input/output	4 kV (type test)
Insulation voltage input/output	2 kV (routine test)
Protection class	II (in an enclosed control cabinet)
MTBF (IEC 61709, SN 29500)	> 753179 h
Mounting position	horizontal DIN rail NS 35, EN 60715
Assembly instructions	Can be aligned: Horizontally 0 mm, vertically 50 mm
Electromagnetic compatibility	Conformance with EMC Directive 2004/108/EC
Noise emission	EN 50081-2
Low Voltage Directive	Conformance with LV directive 2006/95/EC
Standard – Electrical equipment of machines	EN 60204
Standard - Electrical safety	EN 60950-1/VDE 0805 (SELV)
Standard - Electrical safety	EN 61558-2-17
Standard – Electronic equipment for use in electrical power installations and their assembly into electrical power installations	EN 50178/VDE 0160 (PELV)
Standard – Safety extra-low voltage	EN 60950-1 (SELV)

Uninterruptible power supply - MINI-DC-UPS/12DC/4 - 2866598

Technical data

General

Standard – Safety extra-low voltage	EN 60204 (PELV)
Standard - Safe isolation	DIN VDE 0100-410
Standard - Safe isolation	DIN VDE 0106-1010
Standard – Protection against shock currents, basic requirements for protective separation in electrical equipment	DIN VDE 0106-101
UL approvals	UL Listed UL 508
UL approvals	UL/C-UL Recognized UL 60950
UL approvals	UL ANSI/ISA-12.12.01 Class I, Division 2, Groups A, B, C, D (Hazardous Location)

Connection data, input

Connection method	Pluggable COMBICON screw connections,
Conductor cross section solid min.	0.2 mm ²
Conductor cross section solid max.	2.5 mm ²
Conductor cross section stranded min.	0.2 mm ²
Conductor cross section stranded max.	2.5 mm ²
Conductor cross section AWG/kcmil min.	24
Conductor cross section AWG/kcmil max	12
Stripping length	8 mm
Screw thread	M3

Connection data, output

Connection method	Pluggable COMBICON screw connections,
Conductor cross section solid min.	0.2 mm ²
Conductor cross section solid max.	2.5 mm ²
Conductor cross section stranded min.	0.2 mm ²
Conductor cross section stranded max.	2.5 mm ²
Conductor cross section AWG/kcmil min.	24
Conductor cross section AWG/kcmil max	12
Stripping length	8 mm

Signaling

Continuous load current	≤ 20 mA
Status display	LED "Power Good", green
Note on status display	Buffer module is loaded: LED ON
Conductor cross section solid min.	0.2 mm ²
Conductor cross section solid max.	2.5 mm ²
Conductor cross section stranded min.	0.2 mm ²
Conductor cross section stranded max.	2.5 mm ²
Conductor cross section AWG/kcmil min.	24
Conductor cross section AWG/kcmil max	12
Tightening torque, min	0.5 Nm
Tightening torque max	0.6 Nm
Screw thread	M3

Uninterruptible power supply - MINI-DC-UPS/12DC/4 - 2866598

Technical data

Signaling

Output name	Alarm
Output description	Relay output
Maximum switching voltage	≤ 12 V
Output voltage	12 V
Continuous load current	≤ 200 mA
Status display	LED red
Note on status display	Malfunction/alarm: LED permanently lit
Output name	Battery charge
Output description	Relay output
Maximum switching voltage	≤ 12 V
Output voltage	12 V
Continuous load current	≤ 200 mA
Status display	LED yellow, flashing
Note on status display	Battery charge/battery is being charged: LED flashing
Output name	Battery mode
Output description	Relay output
Type of signaling	LED, active switching output
Maximum switching voltage	≤ 12 V
Output voltage	12 V
Continuous load current	≤ 200 mA
Status display	Yellow LED
Note on status display	Battery mode/buffer mode: LED permanently lit

classifications

eCl@ss

eCl@ss 4.0	27040603
eCl@ss 4.1	27040603
eCl@ss 5.0	27040603
eCl@ss 5.1	27040603
eCl@ss 6.0	27040603
eCl@ss 7.0	27040603
eCl@ss 8.0	27040603

ETIM

ETIM 2.0	EC000382
ETIM 3.0	EC000382
ETIM 4.0	EC000382
ETIM 5.0	EC000382

UNSPSC

UNSPSC 6.01	30211510
UNSPSC 7.0901	39121011

Uninterruptible power supply - MINI-DC-UPS/12DC/4 - 2866598

classifications

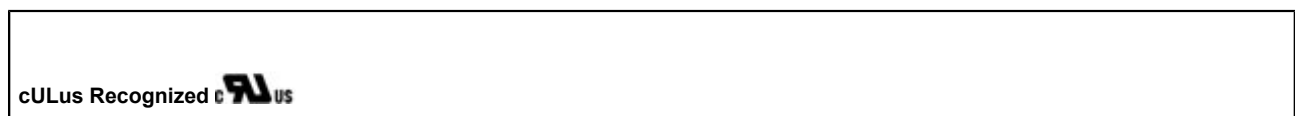
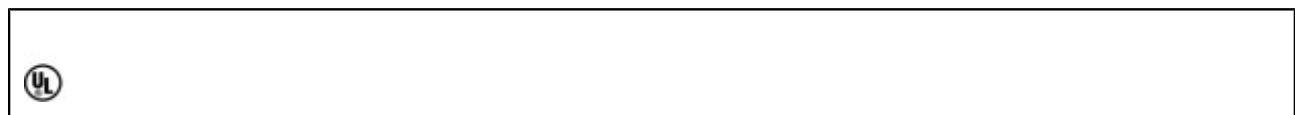
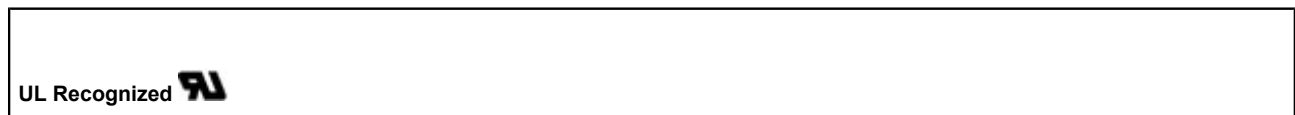
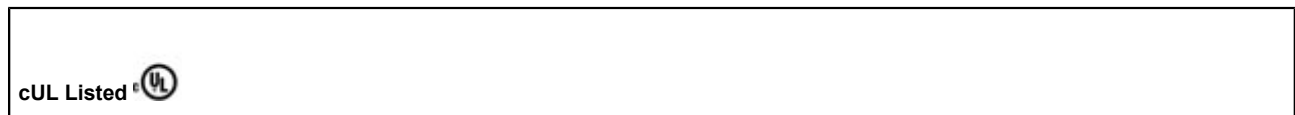
UNSPSC

UNSPSC 11	39121011
UNSPSC 12.01	39121011
UNSPSC 13.2	39121011

approvals

UL Listed / cUL Listed / cULus Listed / UL Recognized / UL Listed / cUL Recognized / cULus Recognized /

Approval details



accessories

Battery unit

Uninterruptible power supply - MINI-DC-UPS/12DC/4 - 2866598

accessories

MINI-BAT/12DC/1.6AH - 2866572

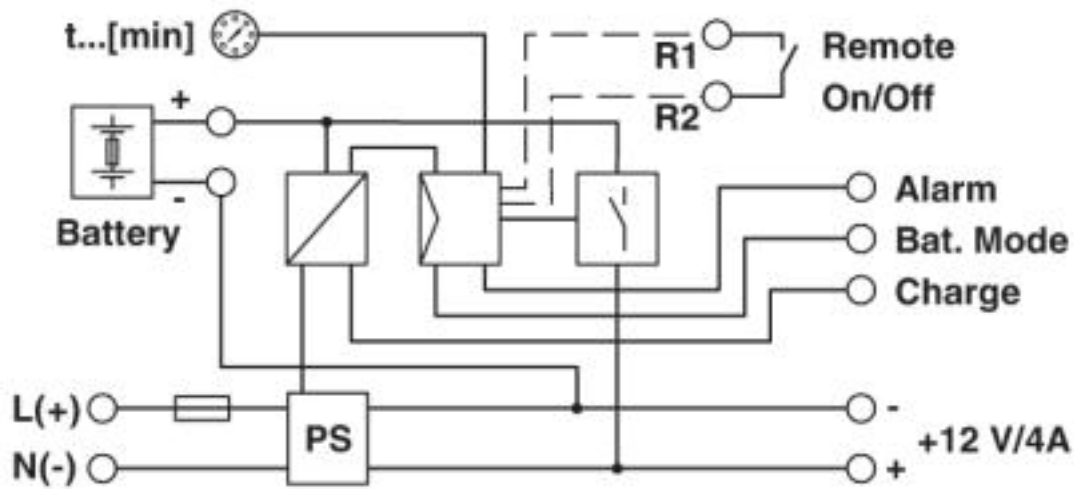


MINI-BAT/12DC/2.6AH - 2866569



Drawings

Block diagram



Uninterruptible power supply - MINI-DC-UPS/12DC/4 - 2866598

Diagram

