

## Buffer module - QUINT-BUFFER/24DC/24DC/40 - 2320393

Please be informed that the data shown in this PDF Document is generated from our Online Catalog. Please find the complete data in the user's documentation. Our General Terms of Use for Downloads are valid (<http://download.phoenixcontact.com>)



QUINT buffer module with maintenance-free capacitor-based power storage for DIN rail mounting, input: 24 V DC, output: 24 V DC/40 A, with integrated SFB (selective fuse breaking) technology, including mounted universal DIN rail adapter UTA 107

### Product Description

Short-term mains interruptions are bridged by QUINT BUFFER, a maintenance-free capacitor-based buffer module with SFB technology (selective fuse breaking technology). Systems can therefore also run in unstable networks or, in the event of longer failures, are correctly shut down after all relevant process data is saved. The buffer module also acts as a power storage device for peak loads and for tripping fuses. For function monitoring, an active switching output and a control lamp are used. With the integrated diode, loads can be divided into buffered and unbuffered loads. The buffer time is thus extended and the buffered loads are protected against errors in the internal network.



### Key commercial data

package_quantity	1
GTIN	4046356554114

### Technical data

#### Dimensions

Width	64 mm
Height	130 mm
Depth	125 mm
Width with alternative assembly	122 mm
Height with alternative assembly	130 mm
Depth with alternative assembly	67 mm

#### Ambient conditions

Degree of protection	IP20
Ambient temperature (operation)	-25 °C ... 80 °C
Ambient temperature (storage/transport)	-40 °C ... 85 °C
Max. permissible relative humidity (operation)	≤ 95 % (at 25 °C, no condensation)
Noise immunity	EN 61000-6-2:2005

#### Input data

Nominal input voltage	24 V DC
Input voltage range DC	18 V DC ... 30 V DC
Current consumption	0.1 A (No-load)

# Buffer module - QUINT-BUFFER/24DC/24DC/40 - 2320393

## Technical data

### Input data

Current consumption	0.7 A (charging process)
Current consumption (idle)	0.1 A (No-load)
Current consumption (charging process)	0.7 A (charging process)
Buffer period	0.2 s (40 A)
Buffer period	8 s (1 A)
Type of protection	Transient surge protection

### Output data

Nominal output voltage	24 V DC (depending on the input voltage)
Output current	40 A
Output current	120 A (SFB technology, 12 ms)
Derating	60 °C ... 80 °C (2.5%/K)
Connection in parallel	Yes, for increasing the buffer time and for redundancy
Connection in series	No
Type of protection	Transient surge protection

### General

Net weight	1.1 kg
Memory medium	Electrolytic capacitor
Efficiency	> 99 % (with charged power storage device)
Protection class	III
MTBF (IEC 61709, SN 29500)	> 902725 h
Mounting position	horizontal DIN rail NS 35, EN 60715
Assembly instructions	Can be aligned: Horizontally 0 mm, vertically 50 mm
Electromagnetic compatibility	Conformance with EMC Directive 2004/108/EC
Low Voltage Directive	Conformance with LV directive 2006/95/EC
Standard – Electrical equipment of machines	EN 60204
Standard - Safety of transformers	EN 61558-2-17
Standard - Electrical safety	EN 60950-1/VDE 0805 (SELV)
Standard – Electronic equipment for use in electrical power installations and their assembly into electrical power installations	EN 50178/VDE 0160 (PELV)
Standard – Safety extra-low voltage	EN 60950-1 (SELV) and EN 60204 (PELV)
Standard - Safe isolation	DIN VDE 0106-101
UL approvals	UL/C-UL Recognized UL 60950
UL approvals	UL Listed UL 508
UL approvals	UL ANSI/ISA-12.12.01 Class I, Division 2, Groups A, B, C, D (Hazardous Location)

### Connection data, input

Connection method	Screw connection
Conductor cross section solid min.	0.5 mm <sup>2</sup>
Conductor cross section solid max.	16 mm <sup>2</sup>
Conductor cross section stranded min.	0.5 mm <sup>2</sup>

# Buffer module - QUINT-BUFFER/24DC/24DC/40 - 2320393

## Technical data

### Connection data, input

Conductor cross section stranded max.	16 mm <sup>2</sup>
Conductor cross section AWG/kcmil min.	8
Conductor cross section AWG/kcmil max	6
Stripping length	10 mm
Screw thread	M4

### Connection data, output

Connection method	Screw connection
Conductor cross section solid min.	0.5 mm <sup>2</sup>
Conductor cross section solid max.	16 mm <sup>2</sup>
Conductor cross section stranded min.	0.5 mm <sup>2</sup>
Conductor cross section stranded max.	16 mm <sup>2</sup>
Conductor cross section AWG/kcmil min.	8
Conductor cross section AWG/kcmil max	6
Stripping length	10 mm

### Signaling

Output name	Power Good signal output active (high = buffer module charged)
Output description	Power Good
Output voltage	+ 24 V
Continuous load current	20 mA
Status display	LED "Power Good", green
Note on status display	Buffer module is loaded: LED ON
Conductor cross section solid min.	0.2 mm <sup>2</sup>
Conductor cross section solid max.	4 mm <sup>2</sup>
Conductor cross section stranded min.	0.2 mm <sup>2</sup>
Conductor cross section stranded max.	2.5 mm <sup>2</sup>
Conductor cross section AWG/kcmil min.	24
Conductor cross section AWG/kcmil max	12
Tightening torque, min	0.5 Nm
Tightening torque max	0.6 Nm
Screw thread	M4

## classifications

### eCl@ss

eCl@ss 4.0	27040702
eCl@ss 4.1	27040702
eCl@ss 5.0	27242213
eCl@ss 5.1	27242213
eCl@ss 6.0	27049190
eCl@ss 7.0	27049190
eCl@ss 8.0	27049190

# Buffer module - QUINT-BUFFER/24DC/24DC/40 - 2320393

## classifications

### ETIM

<b>ETIM 3.0</b>	EC001039
<b>ETIM 4.0</b>	EC000599
<b>ETIM 5.0</b>	EC002540

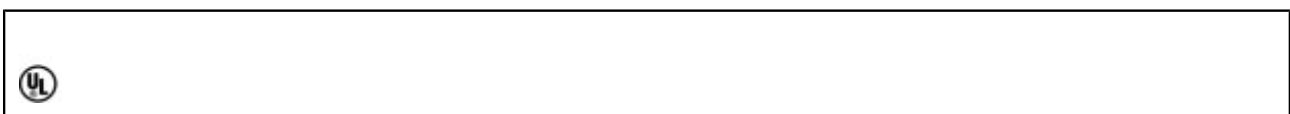
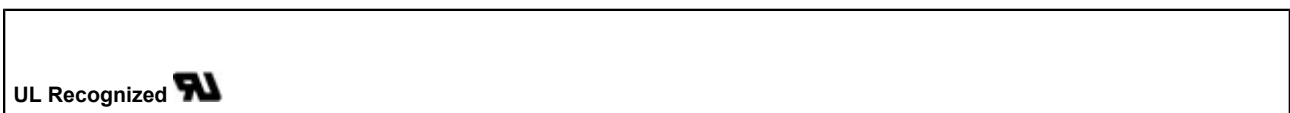
### UNSPSC

<b>UNSPSC 6.01</b>	30211510
<b>UNSPSC 7.0901</b>	39121011
<b>UNSPSC 11</b>	39121011
<b>UNSPSC 12.01</b>	39121011
<b>UNSPSC 13.2</b>	39121011

## approvals

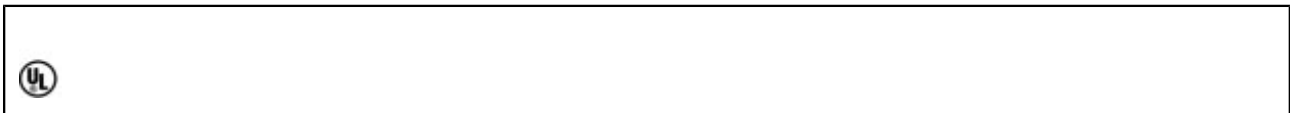
UL Listed / UL Listed / cUL Listed / cULus Listed / UL Recognized / UL Listed / cUL Recognized / cUL Listed / UL Recognized / UL Listed / cUL Recognized / cUL Listed / cULus Recognized / cULus Listed /

### Approval details



# Buffer module - QUINT-BUFFER/24DC/24DC/40 - 2320393

approvals



accessories

## Mounting rail adapter

UTA 107 - 2853983



# Buffer module - QUINT-BUFFER/24DC/24DC/40 - 2320393

accessories

## Assembly adapter

UWA 182/52 - 2938235

---

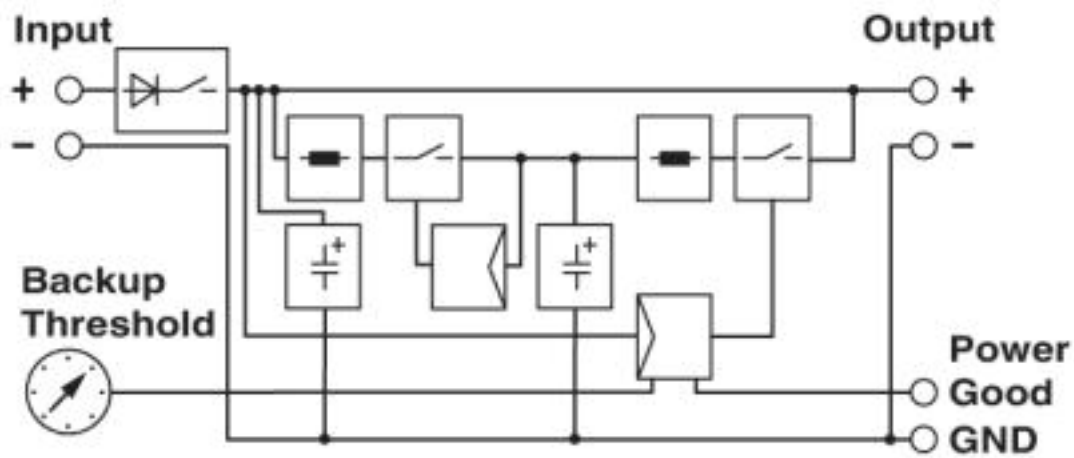
QUINT-PS-ADAPTERS7/2 - 2938206



---

## Drawings

Block diagram



© Phoenix Contact 2013 - all rights reserved  
<http://www.phoenixcontact.com>