

# Uninterruptible power supply - QUINT-UPS/ 24DC/ 24DC/10 - 2320225

Please be informed that the data shown in this PDF Document is generated from our Online Catalog. Please find the complete data in the user's documentation. Our General Terms of Use for Downloads are valid (<http://download.phoenixcontact.com>)



Uninterruptible power supply with IQ technology for DIN rail mounting, input: 24 V DC, output: 24 V DC/10 A, including mounted universal DIN rail adapter UTA 107/30

## Product Features

- ✔ Easy handling thanks to automatic battery detection, tool-free battery replacement during operation, and communication via the IFS interface
- ✔ Reliable starting of difficult loads with the static POWER BOOST power reserve with up to 1.5 times the nominal current permanently
- ✔ Fast tripping of standard circuit breakers with SFB (selective fuse breaking) technology
- ✔ Device suitable for universal use thanks to comprehensive license package and extensive parameterization and diagnostics options



## Key commercial data

package_quantity	1
GTIN	4046356554206

## Technical data

### Dimensions

Width	35 mm
Height	130 mm
Depth	125 mm
Width with alternative assembly	123 mm
Height with alternative assembly	130 mm
Depth with alternative assembly	39 mm

### Ambient conditions

Degree of protection	IP20
Ambient temperature (operation)	-25 °C ... 70 °C
Ambient temperature (storage/transport)	-40 °C ... 85 °C
Max. permissible relative humidity (operation)	≥ 95 % (25°C, no condensation)
Noise immunity	EN 61000-6-2:2005

### Input data

Nominal input voltage	24 V DC
Input voltage range DC	18 V DC ... 30 V DC

# Uninterruptible power supply - QUINT-UPS/ 24DC/ 24DC/10 - 2320225

## Technical data

### Input data

<b>Current consumption</b>	19 A (Maximum, mains operation)
<b>Current consumption</b>	10.4 mA (No load, mains operation)
<b>Current consumption</b>	4 A (Charging, mains operation)
<b>Current consumption (maximum)</b>	19 A (Maximum, mains operation)
<b>Current consumption (idle)</b>	10.4 mA (No load, mains operation)
<b>Current consumption (charging process)</b>	4 A (Charging, mains operation)
<b>Buffer period</b>	3 h (With battery module 38 AH)

### Output data

<b>Nominal output voltage</b>	24 V DC
<b>Output voltage range</b>	18 V DC ... 30 V DC
<b>Output current</b>	10 A (-25 °C ... 50 °C)
<b>Derating</b>	60 °C ... 70 °C (2.5%/K)
<b>Connection in parallel</b>	Yes, up to 2 modules with redundancy module
<b>Connection in series</b>	No

### General

<b>Net weight</b>	0.5 kg
<b>Efficiency</b>	> 98 % (Mains operation, with charged power storage)
<b>Efficiency</b>	> 98 % (Battery operation)
<b>Protection class</b>	III
<b>MTBF (IEC 61709, SN 29500)</b>	> 500000 h (According to EN 29500)
<b>Mounting position</b>	horizontal DIN rail NS 35, EN 60715
<b>Assembly instructions</b>	Can be aligned: horizontal 5 mm, vertical 50 mm
<b>Electromagnetic compatibility</b>	Conformance with EMC Directive 2004/108/EC
<b>Low Voltage Directive</b>	Conformance with LV directive 2006/95/EC
<b>Standard - Electrical safety</b>	EN 60950-1/VDE 0805 (SELV)
<b>Standard – Electronic equipment for use in electrical power installations and their assembly into electrical power installations</b>	EN 50178/VDE 0160 (PELV)
<b>UL approvals</b>	UL/C-UL Recognized UL 60950
<b>UL approvals</b>	UL Listed UL 508

### Connection data, input

<b>Connection method</b>	Pluggable screw connection
<b>Conductor cross section solid min.</b>	0.2 mm <sup>2</sup>
<b>Conductor cross section solid max.</b>	2.5 mm <sup>2</sup>
<b>Conductor cross section stranded min.</b>	0.2 mm <sup>2</sup>
<b>Conductor cross section stranded max.</b>	2.5 mm <sup>2</sup>
<b>Conductor cross section AWG/kcmil min.</b>	16
<b>Conductor cross section AWG/kcmil max</b>	12
<b>Stripping length</b>	7 mm

# Uninterruptible power supply - QUINT-UPS/ 24DC/ 24DC/10 - 2320225

## Technical data

### Connection data, input

<b>Screw thread</b>	M4
---------------------	----

### Connection data, output

<b>Connection method</b>	Pluggable screw connection
<b>Conductor cross section solid min.</b>	0.2 mm <sup>2</sup>
<b>Conductor cross section solid max.</b>	2.5 mm <sup>2</sup>
<b>Conductor cross section stranded min.</b>	0.2 mm <sup>2</sup>
<b>Conductor cross section stranded max.</b>	2.5 mm <sup>2</sup>
<b>Conductor cross section AWG/kcmil min.</b>	16
<b>Conductor cross section AWG/kcmil max</b>	12
<b>Stripping length</b>	7 mm

### Signaling

<b>Signalization designation</b>	Power In OK
<b>Status display</b>	LED
<b>Note on status display</b>	Static to
<b>Conductor cross section solid min.</b>	0.2 mm <sup>2</sup>
<b>Conductor cross section solid max.</b>	2.5 mm <sup>2</sup>
<b>Conductor cross section stranded min.</b>	0.2 mm <sup>2</sup>
<b>Conductor cross section stranded max.</b>	2.5 mm <sup>2</sup>
<b>Conductor cross section AWG/kcmil min.</b>	24
<b>Conductor cross section AWG/kcmil max</b>	12
<b>Tightening torque, min</b>	0.5 Nm
<b>Tightening torque max</b>	0.6 Nm
<b>Screw thread</b>	M4
<b>Signalization designation</b>	Alarm
<b>Output name</b>	Switching output
<b>Output description</b>	Relay (floating)
<b>Maximum switching voltage</b>	≤ 30 V AC/DC
<b>Continuous load current</b>	≤ 100 mA
<b>Status display</b>	LED
<b>Note on status display</b>	Static to
<b>Signalization designation</b>	Battery charge
<b>Output name</b>	Switching output
<b>Output description</b>	Relay (floating)
<b>Maximum switching voltage</b>	≤ 30 V AC/DC
<b>Output voltage</b>	24 V
<b>Continuous load current</b>	≤ 100 mA
<b>Status display</b>	LED-Bargraph
<b>Note on status display</b>	dynamic
<b>Signalization designation</b>	Battery mode

# Uninterruptible power supply - QUINT-UPS/ 24DC/ 24DC/10 - 2320225

## Technical data

### Signaling

<b>Output name</b>	Switching output
<b>Output description</b>	Relay (floating)
<b>Type of signaling</b>	Battery mode
<b>Maximum switching voltage</b>	≤ 30 V AC/DC
<b>Output voltage</b>	24 V
<b>Continuous load current</b>	≤ 100 mA
<b>Status display</b>	LED
<b>Note on status display</b>	Static to

## classifications

### eCl@ss

<b>eCl@ss 4.0</b>	27040702
<b>eCl@ss 4.1</b>	27040603
<b>eCl@ss 5.0</b>	27040603
<b>eCl@ss 5.1</b>	27040603
<b>eCl@ss 6.0</b>	27040603
<b>eCl@ss 7.0</b>	27040603
<b>eCl@ss 8.0</b>	27040603

### ETIM

<b>ETIM 3.0</b>	EC001039
<b>ETIM 4.0</b>	EC000382
<b>ETIM 5.0</b>	EC000382

### UNSPSC

<b>UNSPSC 6.01</b>	30211510
<b>UNSPSC 7.0901</b>	39121011
<b>UNSPSC 11</b>	39121011
<b>UNSPSC 12.01</b>	39121011
<b>UNSPSC 13.2</b>	39121011

## approvals

---

UL Listed / cUL Listed / cULus Listed / UL Recognized / UL Listed / cUL Recognized / cUL Listed / cULus Recognized / cULus Listed /

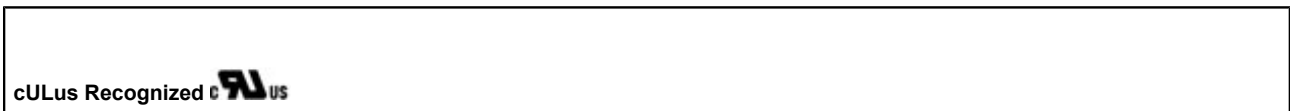
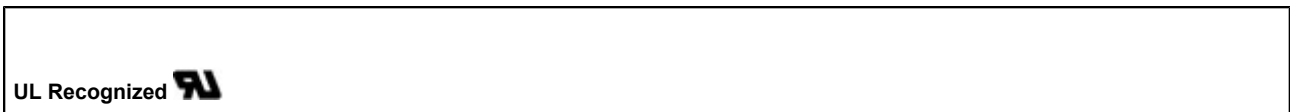
---

### Approval details


---

# Uninterruptible power supply - QUINT-UPS/ 24DC/ 24DC/10 - 2320225

approvals



accessories

**Battery unit**

UPS-BAT/VRLA/24DC/ 1.3AH - 2320296



## Uninterruptible power supply - QUINT-UPS/ 24DC/ 24DC/10 - 2320225

### accessories

UPS-BAT/VRLA/24DC/ 3.4AH - 2320306



UPS-BAT/VRLA/24DC/ 7.2AH - 2320319



UPS-BAT/VRLA/24DC/12AH - 2320322



UPS-BAT/LI-ION/24DC/120WH - 2320351



UPS-BAT/VRLA/24DC/38AH - 2320335



## Uninterruptible power supply - QUINT-UPS/ 24DC/ 24DC/10 - 2320225

### accessories

UPS-CAP/24DC/10A/10KJ - 2320377



UPS-CAP/24DC/20A/20KJ - 2320380



UPS-BAT/VRLA-WTR/24DC/13AH - 2320416



UPS-BAT/VRLA-WTR/24DC/26AH - 2320429



### Configuration and diagnostics

UPS-CONF - 2320403



### Data cable preassembled

# Uninterruptible power supply - QUINT-UPS/ 24DC/ 24DC/10 - 2320225

## accessories

IFS-USB-DATACABLE - 2320500



---

IFS-RS232-DATACABLE - 2320490



---

## Memory block

IFS-CONFSTICK - 2986122



---

## Assembly adapter

UWA 182/52 - 2938235



---

QUINT-PS-ADAPTERS7/1 - 2938196



# Uninterruptible power supply - QUINT-UPS/ 24DC/ 24DC/10 - 2320225

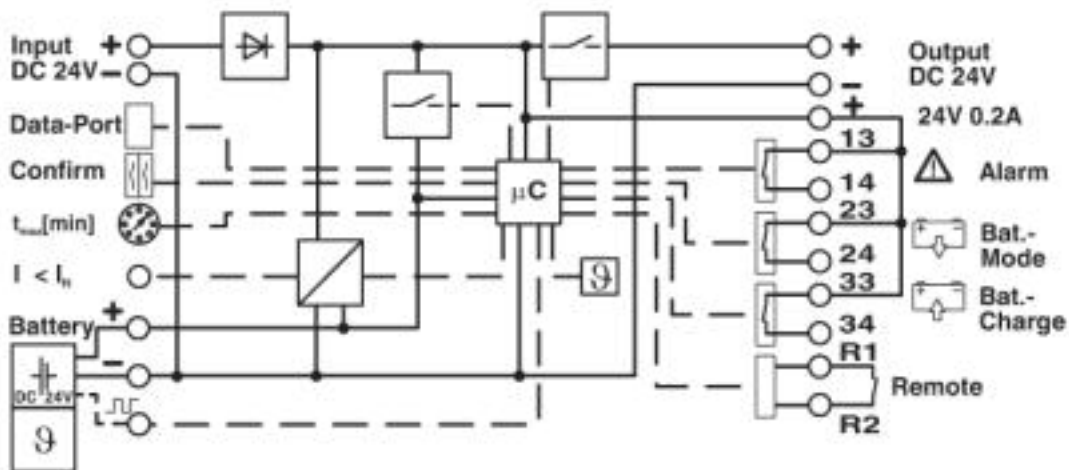
accessories

UTA 107/30 - 2320089



## Drawings

Block diagram



© Phoenix Contact 2013 - all rights reserved  
<http://www.phoenixcontact.com>