

# Power storage devices - UPS-BAT/VRLA/24DC/ 3.4AH - 2320306

Please be informed that the data shown in this PDF Document is generated from our Online Catalog. Please find the complete data in the user's documentation. Our General Terms of Use for Downloads are valid (<http://download.phoenixcontact.com>)



Power storage device, lead AGM, VRLA technology, 24 V DC, 3.4 Ah, tool-free battery replacement, automatic detection, and communication with QUINT UPS-IQ

## Product Features

- ✔ Tool-free battery replacement
- ✔ Communication with QUINT UPS IQ



## Key commercial data

|                  |               |
|------------------|---------------|
| package_quantity | 1             |
| GTIN             | 4046356553360 |

## Technical data

### Dimensions

|        |        |
|--------|--------|
| Width  | 85 mm  |
| Height | 191 mm |
| Depth  | 110 mm |

### Ambient conditions

|  |                |
|--|----------------|
| Degree of protection                           | IP20           |
| Ambient temperature (operation)                | 0 °C ... 40 °C |
| Ambient temperature (storage/transport)        | 0 °C ... 40 °C |
| Max. permissible relative humidity (operation) | 95 %           |

### Input data

|                       |                |
|-----------------------|----------------|
| Nominal input voltage | 24 V DC        |
| Buffer period         | 4.5 min (20 A) |
| Buffer period         | 3 min (25 A)   |

### Output data

|                        |           |
|------------------------|-----------|
| Output current         | max. 25 A |
| Connection in parallel | 15        |
| Connection in series   | No        |
| Output fuse            | 1x 25 A   |

## General

## Power storage devices - UPS-BAT/VRLA/24DC/ 3.4AH - 2320306

### Technical data

#### General

|   |   |
|---|---|
| <b>IQ technology</b>  | Yes   |
| <b>Disposal</b>   | Used batteries must not be thrown away with household waste, they should instead be disposed of in accordance with applicable national regulations. They can also be returned to Phoenix Contact or the manufacturer. |
| <b>Net weight</b>   | 3.3 kg  |
| <b>Memory medium</b>  | Lead rechargeable battery module  |
| <b>Protection class</b>   | III   |
| <b>Mounting position</b>  | horizontal DIN rail NS 35, EN 60715   |
| <b>Standard - Electrical safety</b>   | EN 60950-1/VDE 0805 (SELV)  |
| <b>Standard – Electronic equipment for use in electrical power installations and their assembly into electrical power installations</b> | EN 50178/VDE 0160 (PELV)  |
| <b>UL approvals</b>   | UL/C-UL listed UL 508   |
| <b>UL approvals</b>   | UL/C-UL Recognized UL 60950   |
| <b>UL approvals</b>   | UL/C-UL Recognized UL 1778  |
| <b>UL approvals</b>   | UL ANSI/ISA-12.12.01 Class I, Division 2, Groups A, B, C, D (Hazardous Location)  |

#### classifications

##### eCl@ss

|                   |          |
|-------------------|----------|
| <b>eCl@ss 4.0</b> | 27040702 |
| <b>eCl@ss 4.1</b> | 27040603 |
| <b>eCl@ss 5.0</b> | 27040603 |
| <b>eCl@ss 5.1</b> | 27040603 |
| <b>eCl@ss 6.0</b> | 27040603 |
| <b>eCl@ss 7.0</b> | 27040603 |
| <b>eCl@ss 8.0</b> | 27040603 |

##### ETIM

|                 |          |
|-----------------|----------|
| <b>ETIM 3.0</b> | EC001039 |
| <b>ETIM 4.0</b> | EC000382 |
| <b>ETIM 5.0</b> | EC000357 |

##### UNSPSC

|                      |          |
|----------------------|----------|
| <b>UNSPSC 6.01</b>   | 30211510 |
| <b>UNSPSC 7.0901</b> | 39121011 |
| <b>UNSPSC 11</b>     | 39121011 |
| <b>UNSPSC 12.01</b>  | 39121011 |
| <b>UNSPSC 13.2</b>   | 39121011 |

# Power storage devices - UPS-BAT/MRLA/24DC/ 3.4AH - 2320306

## approvals

UL Listed / cUL Listed / cULus Listed / UL Recognized / UL Listed / cUL Recognized / cUL Listed / UL Recognized / cULus Recognized / cULus Listed /

### Approval details

UL Listed

cUL Listed

cULus Listed

UL Recognized

|                            |  |
|----------------------------|--|
| Nominal voltage UN         |  |
| Nominal current IN         |  |
| mm <sup>2</sup> /AWG/kcmil |  |

|                            |  |
|----------------------------|--|
| Nominal voltage UN         |  |
| Nominal current IN         |  |
| mm <sup>2</sup> /AWG/kcmil |  |

cUL Recognized

|                    |  |
|--------------------|--|
| Nominal voltage UN |  |
| Nominal current IN |  |

# Power storage devices - UPS-BAT/VRLA/24DC/ 3.4AH - 2320306

## approvals

|                            |  |
|----------------------------|--|
|                            |  |
| mm <sup>2</sup> /AWG/kcmil |  |



## accessories

### Fuse

SI FORM C 25 A DIN 72581 - 0913757



---

### Assembly adapter

QUINT-ADAPTER/4 - 2866857

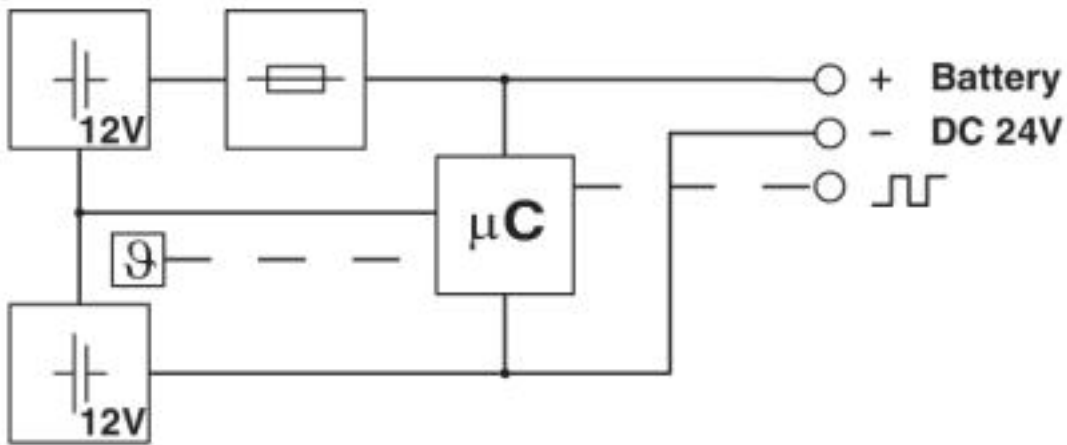


---

## Drawings

# Power storage devices - UPS-BAT/VRLA/24DC/ 3.4AH - 2320306

Block diagram



© Phoenix Contact 2013 - all rights reserved  
<http://www.phoenixcontact.com>