

Uninterruptible power supply - QUINT-UPS/ 1AC/ 1AC/500VA - 2320270

Please be informed that the data shown in this PDF Document is generated from our Online Catalog. Please find the complete data in the user's documentation. Our General Terms of Use for Downloads are valid (<http://download.phoenixcontact.com>)



Uninterruptible power supply with IQ technology 1AC/1AC/500 VA. For 120 V AC/230 V AC applications. Provides information regarding the charging state, remaining runtime, and service life of your rechargeable battery module at all times and thereby increases system availability.

Product Features

- ✓ Easy handling thanks to automatic battery detection, tool-free battery replacement during operation, and communication via the IFS interface
- ✓ Reliable starting of difficult loads with the static POWER BOOST power reserve with up to 1.5 times the nominal current permanently
- ✓ Fast tripping of standard circuit breakers with SFB (selective fuse breaking) technology
- ✓ Device suitable for universal use thanks to comprehensive license package and extensive parameterization and diagnostics options



Key commercial data

package_quantity	1
GTIN	4046356560078

Technical data

Dimensions

Width	125 mm
Height	130 mm
Depth	125 mm

Ambient conditions

Degree of protection	IP20
Ambient temperature (operation)	-25 °C ... 70 °C (> 50°C derating)
Ambient temperature (storage/transport)	-40 °C ... 85 °C
Max. permissible relative humidity (operation)	≤ 95 % (25°C, no condensation)

Input data

Nominal input voltage	230 V AC
Nominal input voltage	120 V AC
Input voltage range AC	180 V AC ... 264 V AC
Input voltage range AC	80 V AC ... 150 V AC
Input voltage range AC	80 V AC ... 264 V AC
AC frequency range	45 Hz ... 65 Hz

Uninterruptible power supply - QUINT-UPS/ 1AC/ 1AC/500VA - 2320270

Technical data

Input data

Buffer period	1 h (38 AH)
Permissible backup fuse	B16
Additional text	230 V AC
Power factor (cos phi)	0.8

Output data

Nominal output voltage	120 V AC
Nominal output voltage	230 V AC
Output voltage range	96 V AC ... 144 V AC
Output current	5.2 A (120 V AC, -25°C ... 40°C)
Output current	4.3 A (120 V AC, -25°C ... 50°C)
Output current	2.7 A (230 V AC, -25°C ... 40°C)
Output current	2.2 A (230 V AC, -25°C ... 40°C)
Derating	> 50 °C ... 70 °C (2.5%/K)
Connection in parallel	No
Connection in series	No

General

Net weight	2.2 kg
Efficiency	> 98 % (Mains operation)
Efficiency	> 98 %
Efficiency	> 86 %
Protection class	I
MTBF (IEC 61709, SN 29500)	(According to EN 29500)
Mounting position	horizontal DIN rail NS 35, EN 60715
Assembly instructions	Alignable: 5 mm horizontally, 15 mm next to active components, 50 mm vertically
Electromagnetic compatibility	Conformance with EMC Directive 2004/108/EC
Standard – Limitation of mains harmonic currents	EN 61000-3-2 (Class A)
UL approvals	UL/C-UL Recognized UL 1778

Connection data, input

Connection method	Screw connection
Conductor cross section solid min.	1.5 mm ²
Conductor cross section solid max.	6 mm ²
Conductor cross section stranded min.	1.5 mm ²
Conductor cross section stranded max.	4 mm ²
Conductor cross section AWG/kcmil min.	18
Conductor cross section AWG/kcmil max	10
Stripping length	8 mm
Screw thread	M4

Connection data, output

Uninterruptible power supply - QUINT-UPS/ 1AC/ 1AC/500VA - 2320270

Technical data

Connection data, output

Connection method	Screw connection
Conductor cross section solid min.	1.5 mm ²
Conductor cross section solid max.	6 mm ²
Conductor cross section stranded min.	1.5 mm ²
Conductor cross section stranded max.	4 mm ²
Conductor cross section AWG/kcmil min.	18
Conductor cross section AWG/kcmil max	10
Stripping length	8 mm

Signaling

Signalization designation	AC mode of operation
Output name	Status indicator 120 V AC
Status display	LED
Note on status display	Static to
Conductor cross section solid min.	0.2 mm ²
Conductor cross section solid max.	2.5 mm ²
Conductor cross section stranded min.	0.2 mm ²
Conductor cross section stranded max.	2.5 mm ²
Conductor cross section AWG/kcmil min.	24
Conductor cross section AWG/kcmil max	10
Tightening torque, min	0.5 Nm
Tightening torque max	0.6 Nm
Screw thread	M4
Signalization designation	AC mode of operation
Output name	Status indicator 230 V AC
Status display	LED
Note on status display	Static to
Signalization designation	Alarm
Output name	Transistor output, active
Maximum switching voltage	≤ 30 V DC
Output voltage	24 V (SELV)
Continuous load current	≤ 30 mA
Status display	LED
Note on status display	Static to
Signalization designation	Battery mode
Output name	Transistor output, active
Type of signaling	Yellow LED
Maximum switching voltage	≤ 30 V DC
Output voltage	24 V (SELV)
Continuous load current	≤ 30 mA

Uninterruptible power supply - QUINT-UPS/ 1AC/ 1AC/500VA - 2320270

Technical data

Signaling

Status display	LED
Note on status display	Static to

classifications

eCl@ss

eCl@ss 4.0	27040702
eCl@ss 4.1	27040702
eCl@ss 5.0	27242213
eCl@ss 5.1	27040603
eCl@ss 6.0	27040603
eCl@ss 7.0	27040603
eCl@ss 8.0	27040603

ETIM

ETIM 3.0	EC001039
ETIM 4.0	EC000382
ETIM 5.0	EC000382

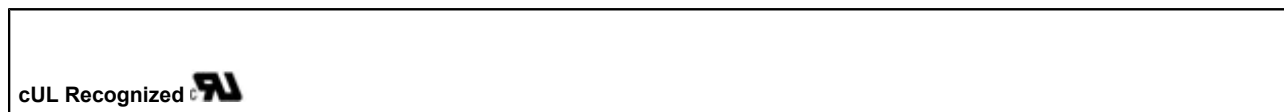
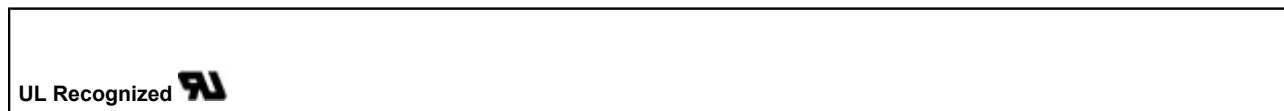
UNSPSC

UNSPSC 6.01	30211510
UNSPSC 7.0901	39121011
UNSPSC 11	39121011
UNSPSC 12.01	39121011
UNSPSC 13.2	39121011

approvals

UL Recognized / cUL Recognized / cULus Recognized /

Approval details



Uninterruptible power supply - QUINT-UPS/ 1AC/ 1AC/500VA - 2320270

approvals

cULus Recognized 

accessories

Battery unit

UPS-BAT/VRLA/24DC/ 3.4AH - 2320306



UPS-BAT/VRLA/24DC/ 7.2AH - 2320319



UPS-BAT/VRLA/24DC/12AH - 2320322



UPS-BAT/VRLA/24DC/38AH - 2320335



Uninterruptible power supply - QUINT-UPS/ 1AC/ 1AC/500VA - 2320270

accessories

UPS-BAT/LI-ION/24DC/120WH - 2320351



UPS-CAP/24DC/20A/20KJ - 2320380



Configuration and diagnostics

UPS-CONF - 2320403



Adapter cable

CABLE-USB/MINI-USB-3,0M - 2986135



Data cable preassembled

IFS-MINI-DIN-DATACABLE - 2320487



Uninterruptible power supply - QUINT-UPS/ 1AC/ 1AC/500VA - 2320270

accessories

IFS-RS232-DATACABLE - 2320490



IFS-USB-DATACABLE - 2320500



Memory block

IFS-CONFSTICK-L - 2901103



Assembly adapter

UWA 130 - 2901664

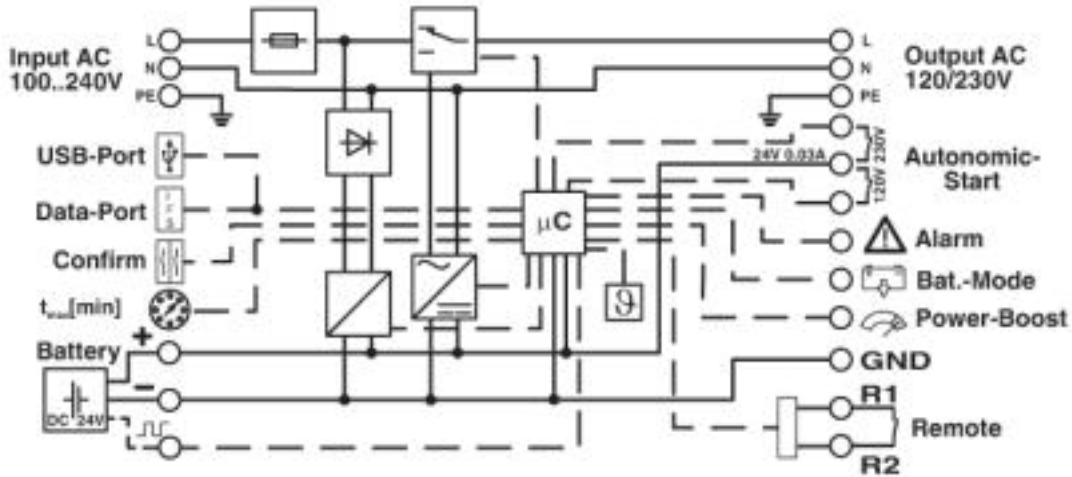


UWA 182/52 - 2938235

Uninterruptible power supply - QUINT-UPS/ 1AC/ 1AC/500VA - 2320270

Drawings

Block diagram



© Phoenix Contact 2013 - all rights reserved
<http://www.phoenixcontact.com>