

Features :

- Universal AC input with active PFC
- Programmable output Voltage (30% ~ 100%)
- Programmable output Current (40% ~ 105%)
- High efficiency up to 91%
- +5V / 0.5A auxiliary output
- Intelligent LED indicators
- 1U profile, High power density
- Forced current sharing at parallel operation
- Power OK signal (Power good, Logic low)
- Remote ON-OFF, Remote sense function
- Protections : OVP, OLP, OTP, SCP, Fan failure

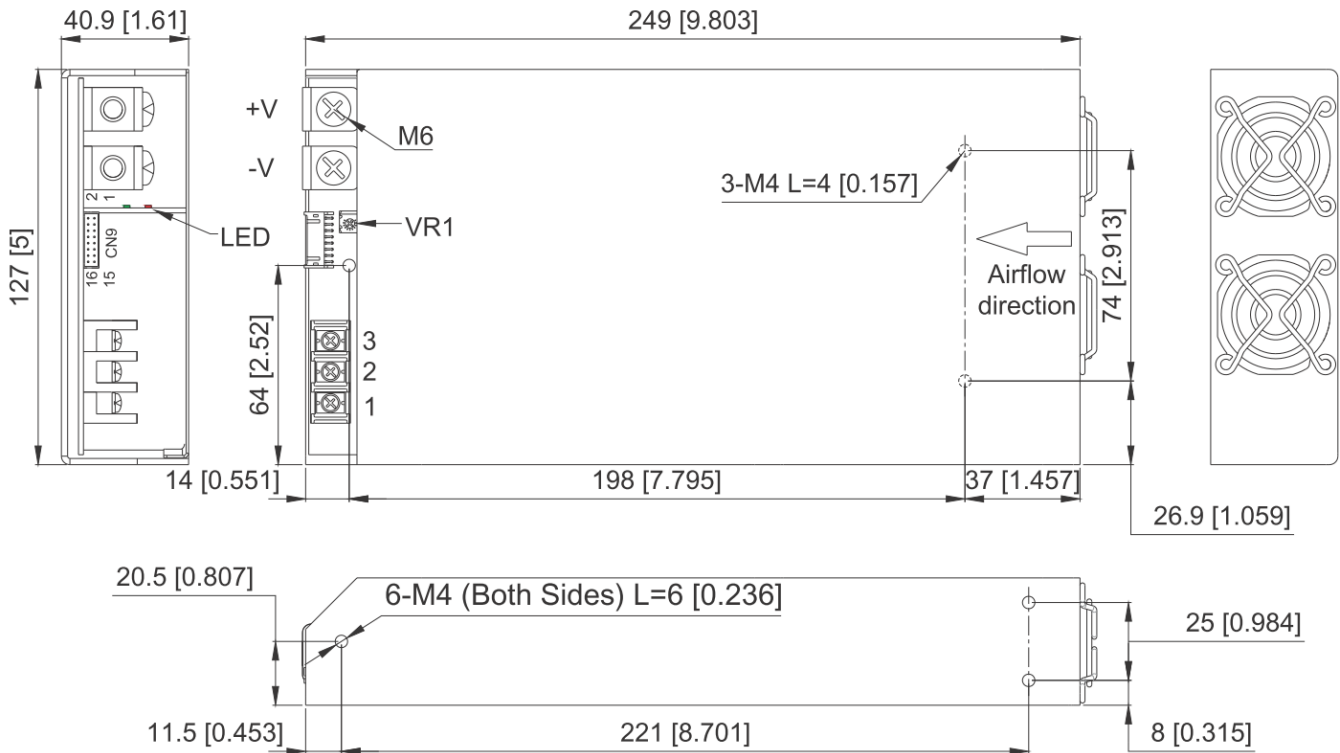
1 year warranty



Model		AK-650-05	AK-650-12	AK-650-15	AK-650-24	AK-650-27	AK-650-48
Output	DC Voltage Range	5V	12V	15V	24V	27V	48V
	Rated Current	100A	50A	40A	27A	24A	13.6A
	Current Range	0 ~ 100A	0 ~ 50A	0 ~ 40A	0 ~ 27A	0 ~ 24A	0 ~ 13.6A
	Rated Power	500W	600W	600W	648W	648W	652W
	Ripple & Noise (Max.)	Note.2 150mVp-p	150mVp-p	150mVp-p	150mVp-p	150mVp-p	150mVp-p
	Voltage Adj. Range	±5.0% Typical adjustment by potentiometer					
	Voltage Tolerance	Note.3 ±1.0%					
	Line Regulation	±0.5%					
	Load Regulation	±0.5%					
	Setup, Rise Time	800ms, 50ms at full load					
Hold Up Time (Typ.)	16ms / 230VAC at full load						
Input	Voltage Range	Note.4 90 ~ 264VAC	127 ~ 370VDC				
	Frequency Range	47 ~ 63Hz					
	Power Factor (Typ.)	0.98 / 230VAC, 0.99 / 115VAC at full load					
	Efficiency (Typ.)	83%	88%	88%	90%	90%	91%
	AC Current (Typ.)	7.5A / 115VAC	3.5A / 230VAC				
	Inrush Current (Typ.)	27A / 115VAC		54A / 230VAC			
Leakage Current	<1.0mA / 240VAC						
Protection	Over Load	105 ~ 125% rated output power Protection type : Total Power limiting, Latch-style (Recovery after reset AC power ON or inhibit)					
	Over Voltage	5.75 ~ 6.25V	13.8 ~ 15.0V	17 ~ 19.0V	27.6 ~ 30.0V	31 ~ 33.75V	55.2 ~ 60.0V
	Over Temperature	By detecting primary and secondary heat sink. Protection type: Shut down o/p voltage (Auto recovers automatically after temperature goes down)					
Function	Auxiliary Power	5V @ 0.5A (+/- 3%)					
	Remote ON/OFF Control	External switch or NPN Transistor to turn ON / OFF					
	Power OK Signal	Open drain signal low when PSU turns on, Max. sink current: 20mA, Max. drain voltage: 40V.					
	Output Voltage Trim	Adjustment of output voltage is between 30 ~ 105% of rated output					
	Output Current Trim	Adjustment of output current is between 20 ~ 105% of rated output					
Parallel (Current Sharing)	Note.5	Please refer to function					
Environment	Working Temp.	-25 ~ +60 °C (Refer to output load de-rating curve)					
	Working Humidity	20 ~ 90% R.H non-condensing					
	Storage Temp., Humidity	-40 ~ +85 °C, 10 ~ 95% R.H					
	Temp. Coefficient	± 0.02%/ °C (0 ~ 50 °C)					
	Vibration	Compliance to IEC 68-2-6, IEC 68-2-64					
Safety & EMC	Safety Standards	UL 60950-1, 2nd Edition, CSA C22.2 NO.60950 -1 -07, 2nd Edition, TUV EN60950-1 :2006 Approved					
	Withstand Voltage	I/P-O/P: 3KVAC I/P-FG: 1.5KVAC O/P-FG: 0.5KVAC					
	Isolation Resistance	I/P-O/P, I/P-FG, O/P-FG: 100MΩ / 500VDC					
	EMI Conduction & Radiation	EN55022 : 1998+A1 : 2000+A2 : 2003 Class B					
	Harmonic Current	EN61000-3-2 :2000+A2:2005 Class A, EN61000-3-3 : 1995+A1 :2001					
EMS Immunity	EN61000-4-2,3,4,5,6,8,11 ; EN 50204 1998+A1 : 2001+A2 : 2003						
Other	Cooling	Controlled by power rating & temperature (Internal ball bearing fan)					
	Dimension (L*W*H)	249*127*41 mm / 9.80*5.00*1.61 inch					
Packing	1.75 kg ; 8pcs / 15.0kg / 0.75 CUFT						
Note	<p>1. All parameters NOT specially mentioned are measured at 230VAC input, rated load and 25 °C of ambient temperature.</p> <p>2. Ripple & noise are measured at 20MHz of bandwidth by using a 12" twisted pair-wire terminated with a 0.1uf & 47uf parallel capacitor.</p> <p>3. Tolerance: includes set up tolerance, line regulation and load regulation.</p> <p>4. De-rating may be needed under low input voltages. Please check the de-rating curve for more details.</p> <p>5. In parallel connection, maybe only one unit operate if the total output load is less than 5% of rated load condition.</p> <p>6. The power supply is considered a component which will be installed into a final equipment. The final equipment must be re-confirmed that it still meets EMC directives.</p>						

Mechanical Specification

Unit : mm / inch



AC Input Terminal
Pin No. Assignment

Pin No.	Assignment
1	ACL
2	ACN
3	⊥

Control pin number assignment (CN9) : JST S16B-PHDSS or equivalent

Pin No.	Assignment	Pin No.	Assignment	Pin No.	Assignment	Pin No.	Assignment	Mating Housing	Terminal
1	VS+	5	AUX	9	EN-	13	VCI	PHDR-16VS	SPHD-002T-P05
2	VO+	6	AUX	10	GND	14	GND		
3	VS-	7	EN+	11	P.OK	15	PAR		
4	VO-	8	GND	12	GND	16	ACI		

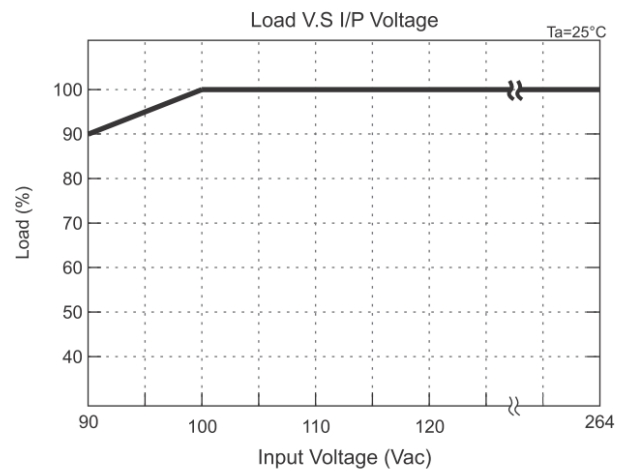
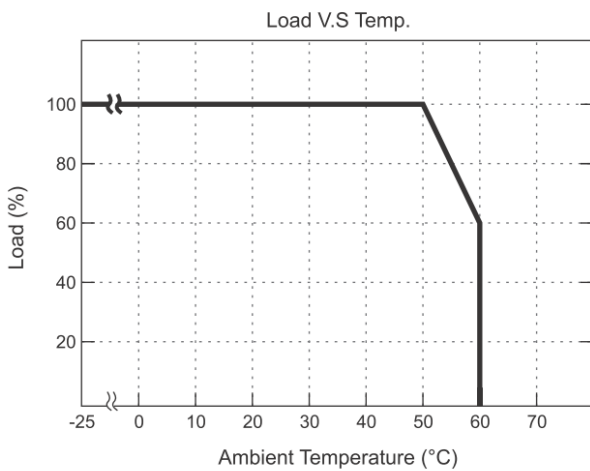
Function Description of CN9

Pin No.	Function	Description
1	VS+	Remote voltage sense (+)
2	VO+	Local output voltage sense (+)
3	VS-	Remote voltage sense (-)
4	VO-	Local output voltage sense (-)
5,6	AUX	+5V / 0.5A Auxiliary power
7	EN+	Remote ON/OFF (+)
8,10,12,14	GND	Ground
9	EN-	Remote ON/OFF (-)
11	P.OK	Power OK
13	VCI	V Program
15	PAR	Parallel operation current share
16	ACI	I Program

LED Status

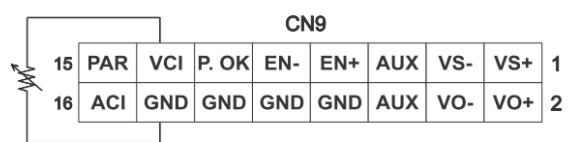
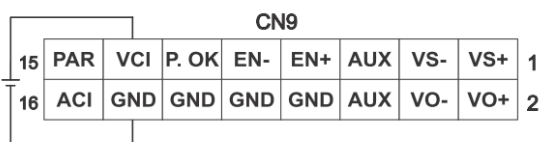
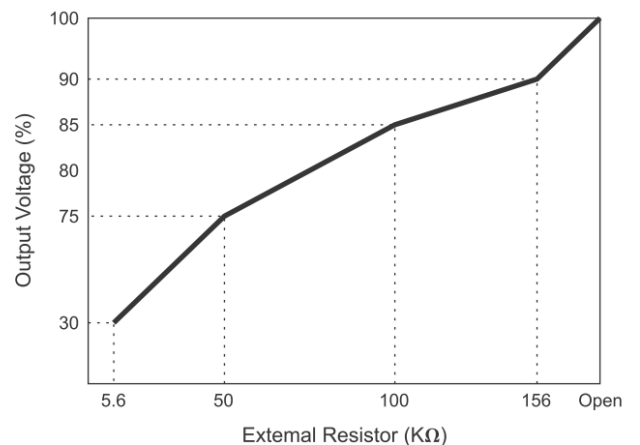
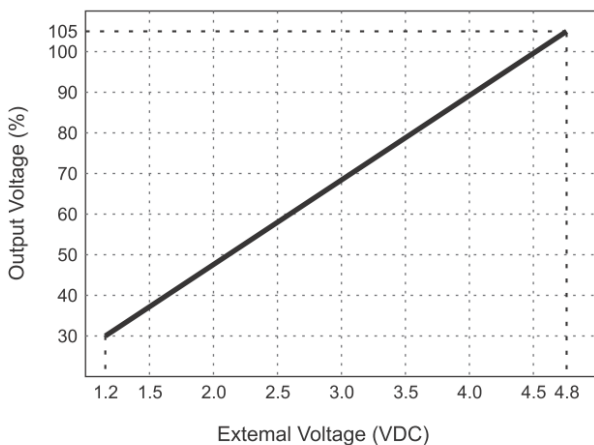
Green LED	LED Signal	Status
Solid		Power OK
Slow Blink		Power Standby
Red LED	LED Signal	Status
Fast Blink		Over Voltage Protection (OVP)
Solid		Over Load Protection (OLP)
		Output Shorted Circuit Protection (SCP)
		Under Voltage Protection (UVP)
Slow Blink		Over Temperature Protection (OTP)
Intermittent Blink		Fan Failure
Interlace Blink		Power Failure

De-rating Curve

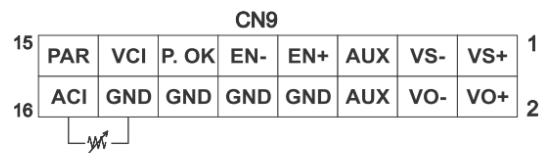
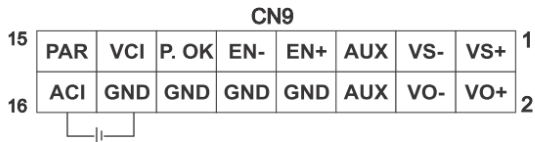
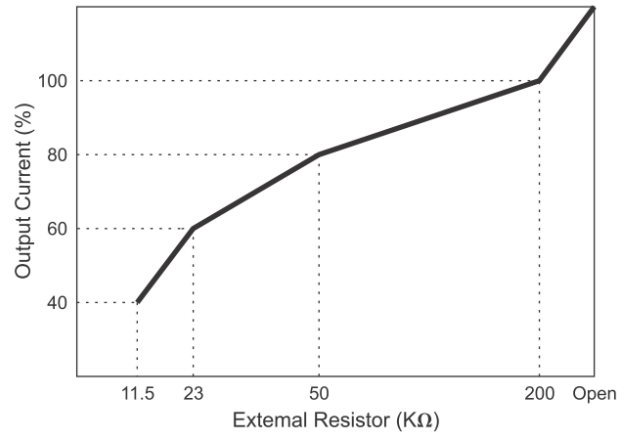
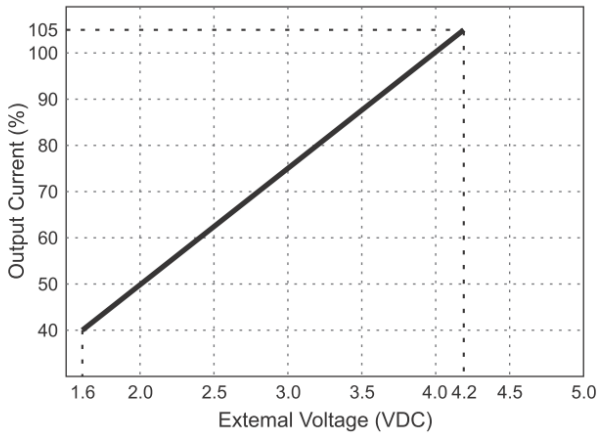


Function Manual

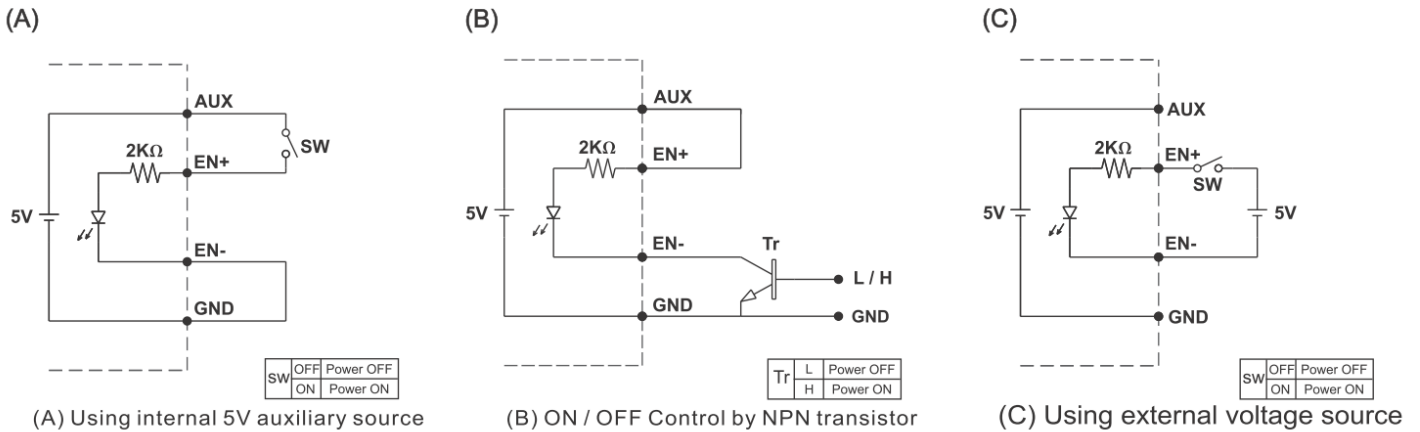
1. Output Voltage Trim



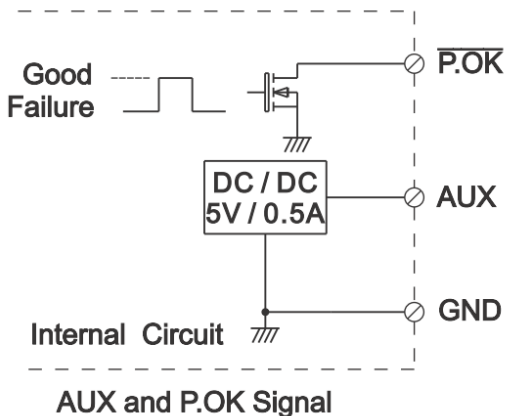
2. Output Current Trim (For Reference Only)



3. Remote ON/OFF

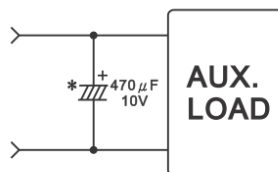


4. Power OK Signal

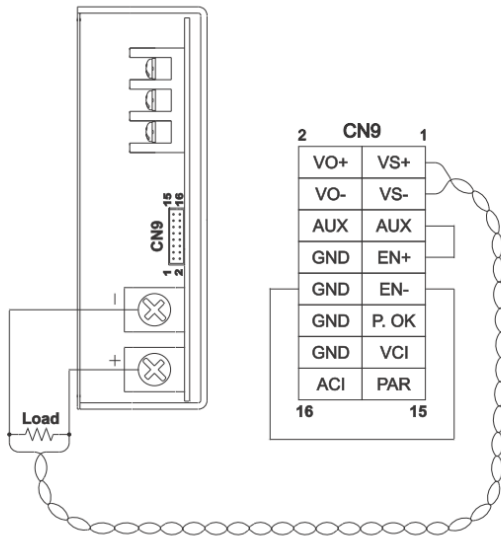


*Place an additional capacitor to have a better performance of auxiliary power operation.

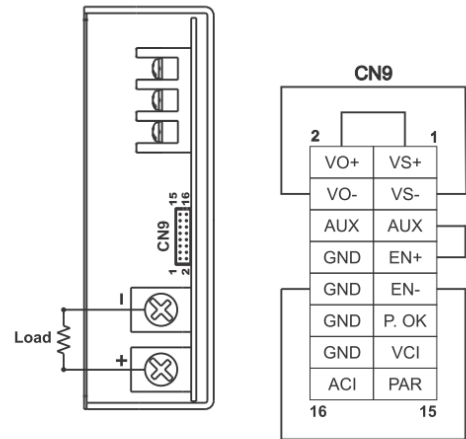
*The grounding of "AUX" power should be connected to "GND" port. If "V-" is connected as Grounding, make sure to short the GND and V- ports.



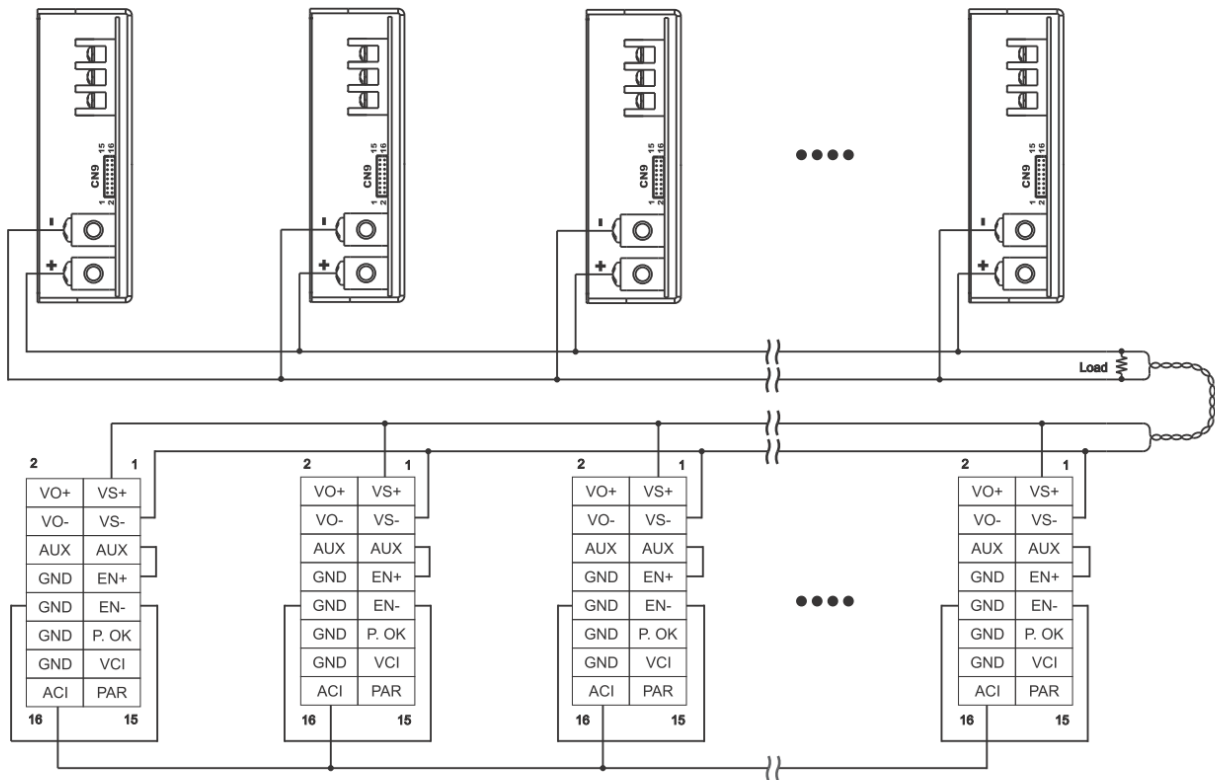
5. Remote Sense



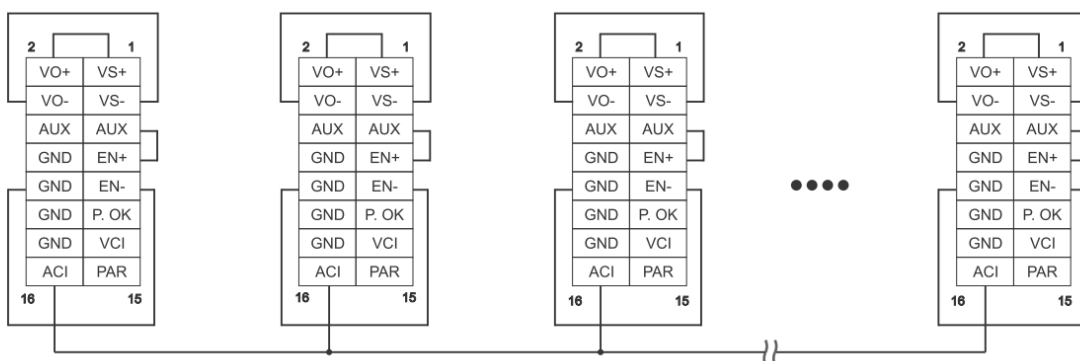
6. Local Sense



7. Current Sharing with Remote Sensing



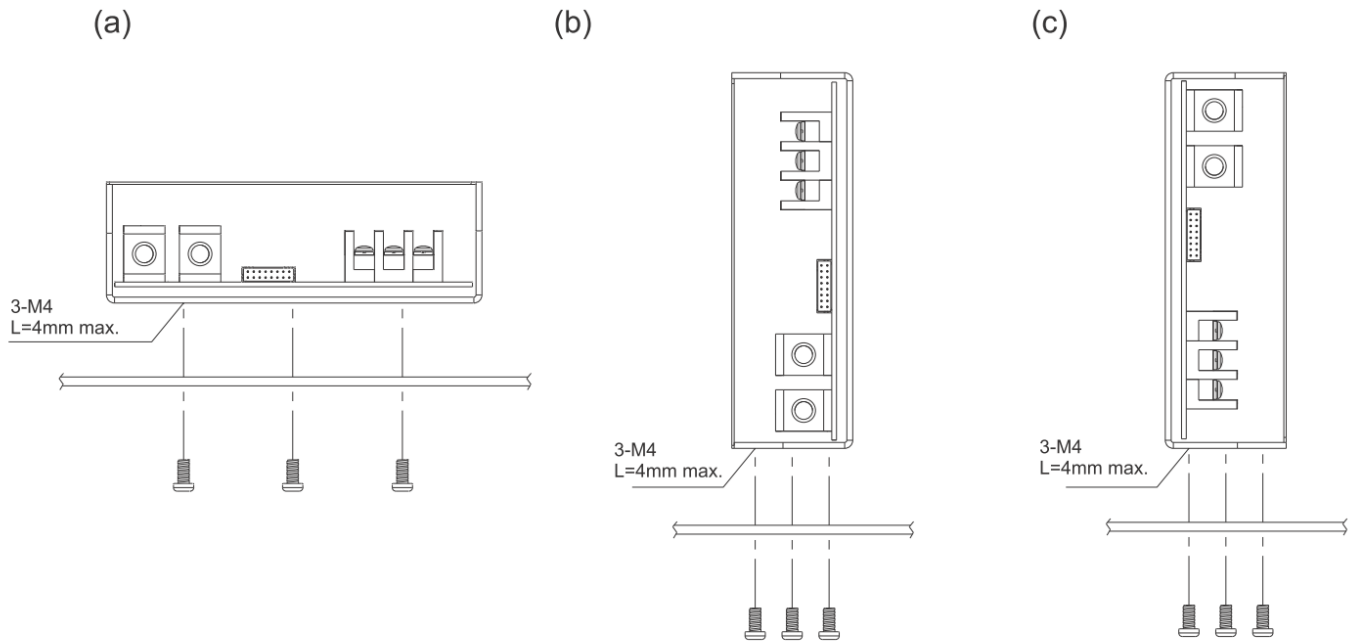
8. Current Sharing with Local Sensing



■ Installation Instruction

1. Mounting Directions

1-1 Recommended standard mounting methods:



2. Mounting Method

2-1 There are ventilating holes on the front and back side panels, do not obstruct; allow 50mm at least for air flow.

2-2 The Maximum allowable penetration of screw is 4mm. Incomplete threading should not be penetrated.

2-3 Recommended the torque of mounting screw:
M4 screw: 1.27N · m (13.0kgf · cm)

