

Features

- Wide Input Range AC 90 V to 264 V
- No Load Power Consumption Less Than 0.3 W
- Low Ripple & Noise
- 1 Year Warranty

Dimensions: 175 mm × 73.5 mm × 42 mm

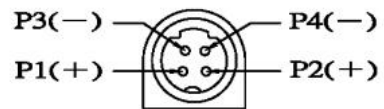
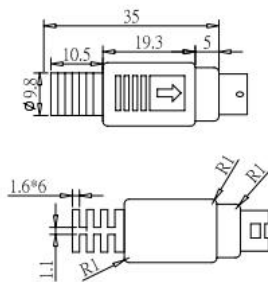
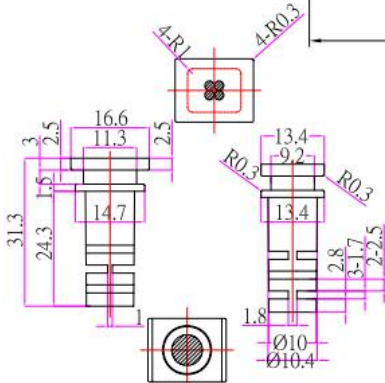
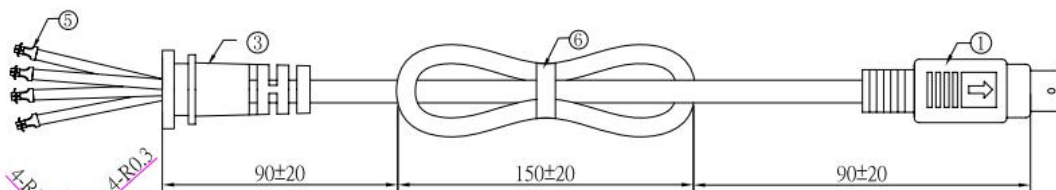
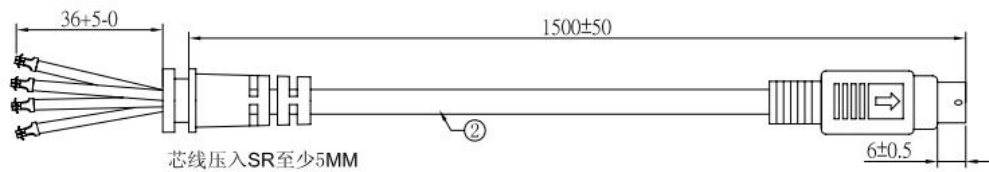
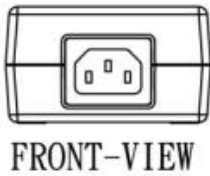
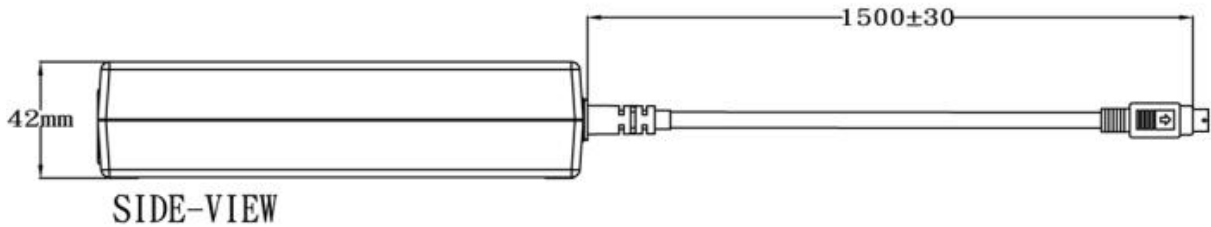
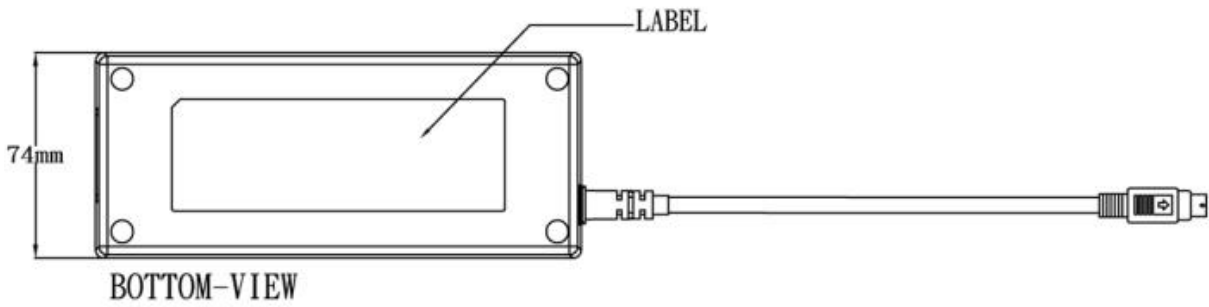
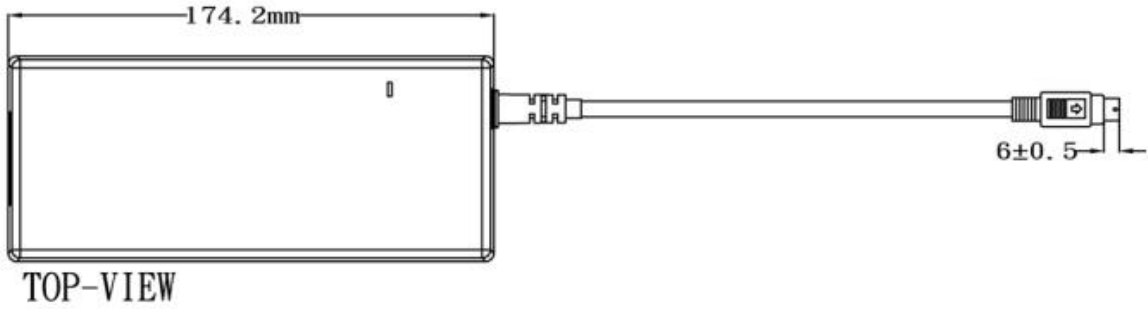
Efficiency Level: ErP Stage 2, CEC Level V

Marks / Approvals: 

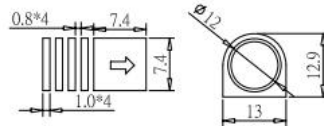


Specifications

	MODEL	VOLTAGE	MIN. LOAD	MAX. LOAD	MAX. POWER
OUTPUT	STD 12125	12 V	0.0 A	12.5 A	150 W
	STD 19084	19 V	0.0 A	8.4 A	160 W
	STD 24066	24 V	0.0 A	6.6 A	160 W
	STD 48033	48 V	0.0 A	3.3 A	160 W
	Standby Power Consumption	Less than 0.3 W			
	Load Regulation	± 5 % (typical)			
	Ripple & Noise	1 % to 2 % × V p-p max. for output voltage @ full load			
INPUT	Voltage	AC 90 V 264 V			
	Frequency	47 Hz to 63 Hz			
	Current (rms max)	2.2 A max.			
	Leakage Current	0.25 mA @ 2 pins			
PROTECTION	Over Current	Yes			
	Overvoltage	Yes			
	Short Circuit	Yes			
	Input	Internal Primary Current Fuse, Inrush Limiting			
	No Load Operation	Yes, to protect the power supply and system from damage			
OTHERS	Cooling	Free air convection			
	Withstand Voltage	AC 3000 V Primary - Secondary			
	Transient Response	0.5 ms for 50 % load change typical			
	Holdup time	10 ms @ full load			
ENVIRONMENT	Temperature	Operating: 0 °C to 40 °C / Storage: -20 °C to 80 °C			
	Humidity	Operating: 20 % RH to 80 % RH / Storage: 10 % RH to 90 % RH			
CONNECTION	Input	IEC 60320 C6 inlet or IEC 60320 C14 inlet			
	Output	Standard DC plug: Mini DIN / DC Cord: UL 2464 / 18 AWG / 16 AWG			
MTBF	50,000 Calculated Hours at 25°C, by MIL-HDBK-217F				
SAFETY	CB / UL / cUL / FCC / GS / CE / PSE / BSMI / LPS				
EMI	Compliance to EN 55022 Class B, EN 61000-3-2, -3				
EMS	Compliance to EN 61000-4-2, -3, -4, -5, -6, -8, -11				
DIMENSIONS	175 mm × 73.5 mm × 42 mm				
NET WEIGHT	700 g (ref.)				



Output Cable Plug Pin Assignment



DEHNER

Elektronik GmbH

- AC/DC Power Supplies
- DC/DC Power Supplies
- LED Drivers
- Medical Power Supplies



DEHNER Elektronik GmbH
Untere Bein 3
65375 Oestrich-Winkel
Germany

Phone: +49 6723 913-0
Fax: +49 6723 913-18

<http://www.dehner.net>

E-Mail: info@dehner.net

