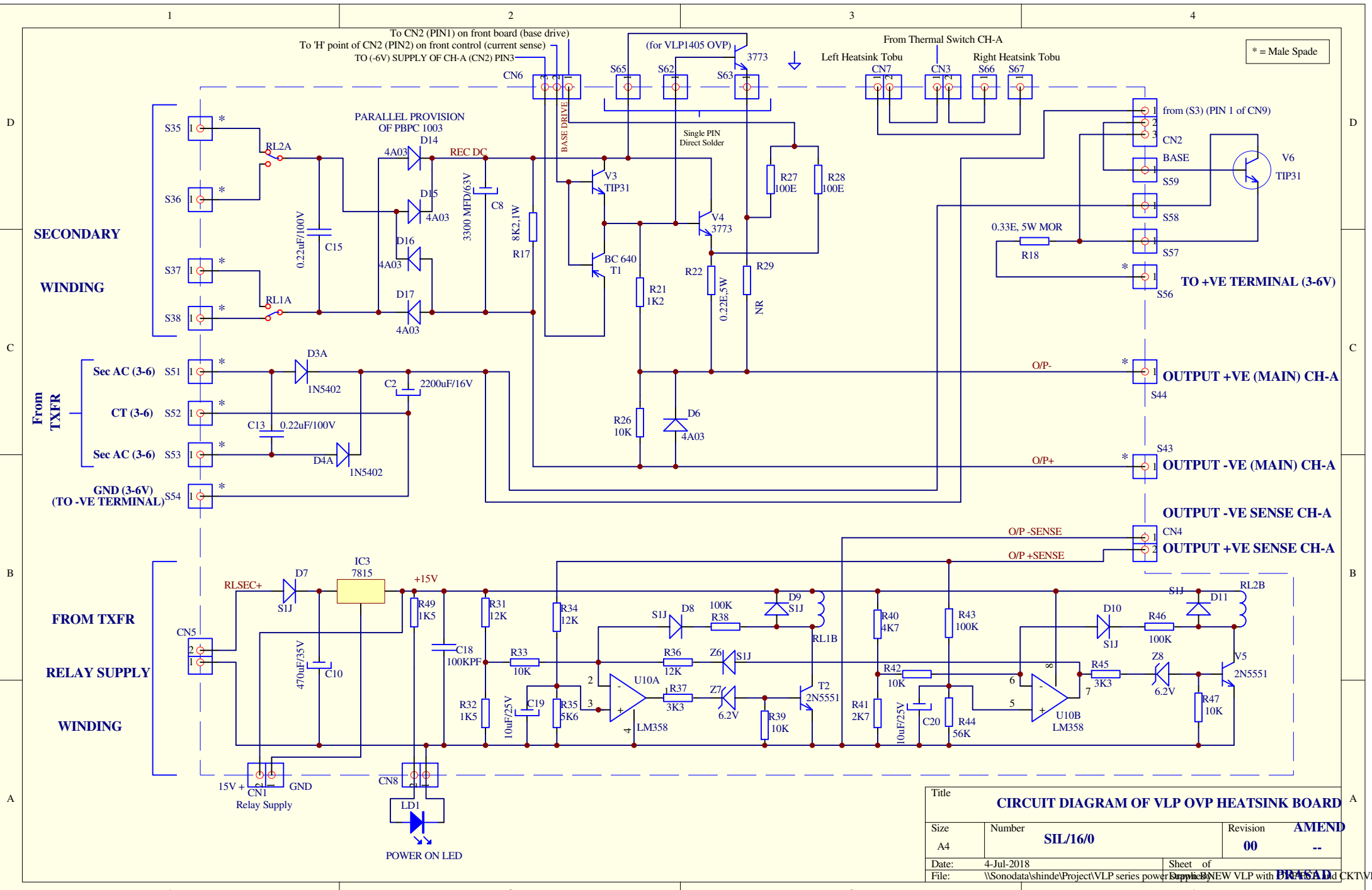


VLP-2403PRO (OVP) CH-A
 VLP-2403PRO (OVP) CH-A

| | | | |
|--|------------|--|-------|
| Title: CIRCUIT DIAGRAM OF VLP OVP FRONT BOARD | | | |
| Size: | Number: | Revision: | |
| A2 | SIL/16/0 | 00 | AMEND |
| Date: | 4-Jul-2018 | Sheet of | 00 |
| File: | | N:\sivaram\ahande\Project\VLP series\panel\Diagram\OVP Front Board\OVP Front Board.dwg | |



| | | | |
|--|--|-----------|-----------|
| Title | | | |
| CIRCUIT DIAGRAM OF VLP OVP HEATSINK BOARD | | | |
| Size | Number | Revision | AMEND |
| A4 | SIL/16/0 | 00 | -- |
| Date: | 4-Jul-2018 | Sheet of | |
| File: | \\Sonodata\shinde\Project\VLP series power supply\NEW VLP with BR/ASAD\CKT\VLP - | | |